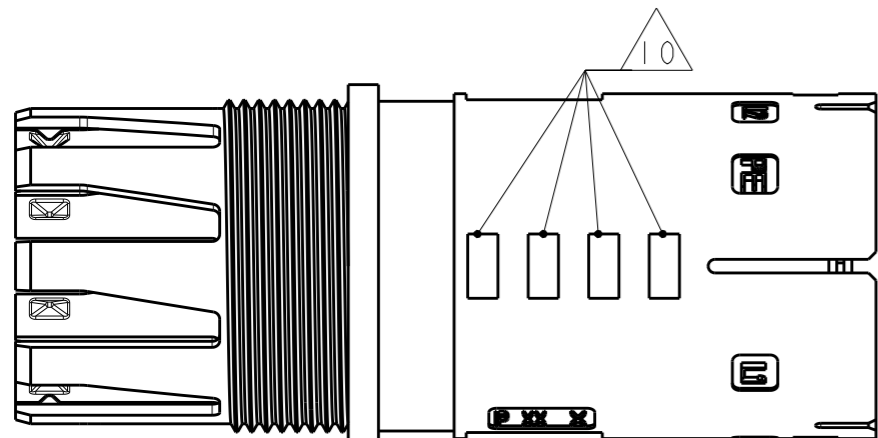
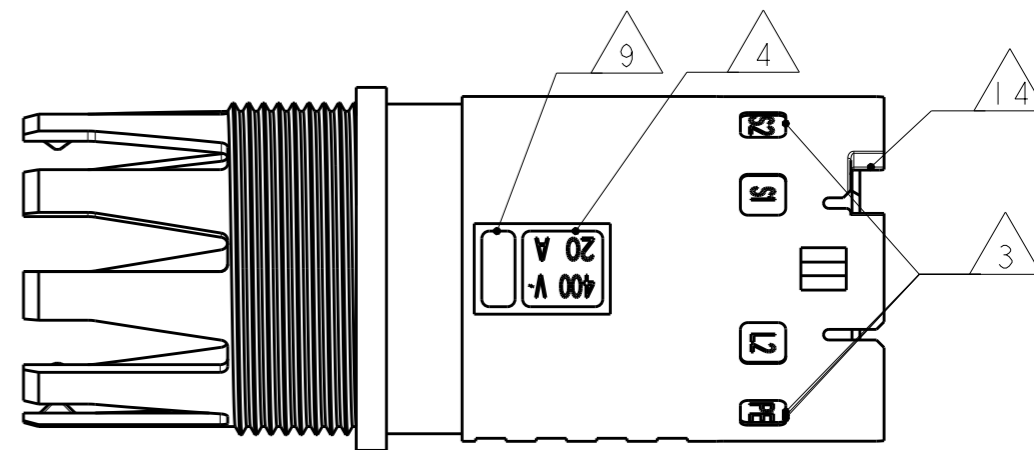
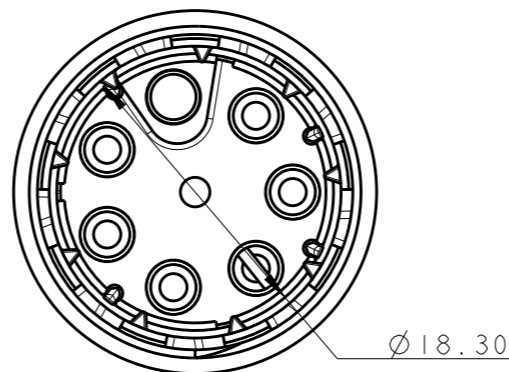
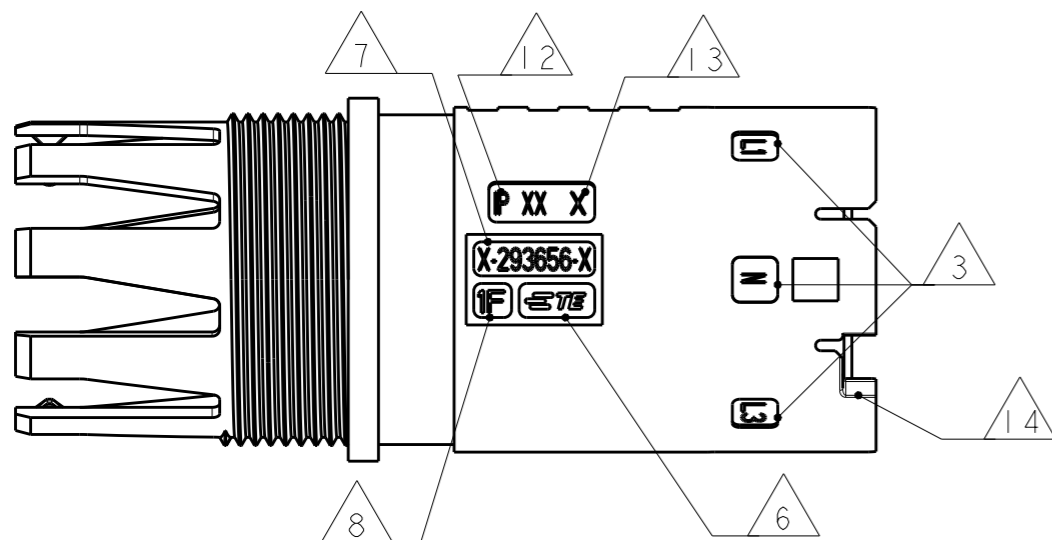


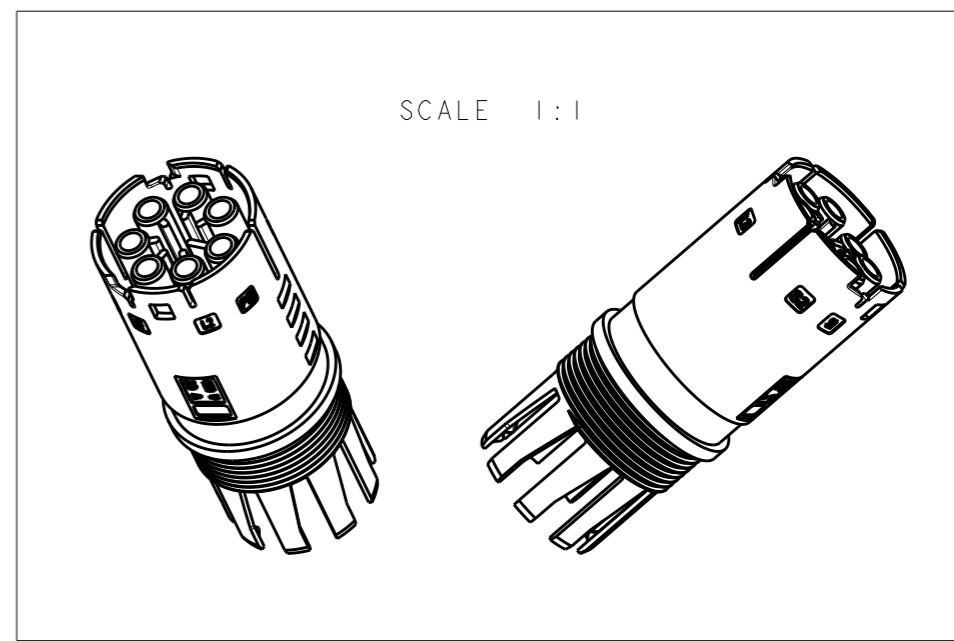
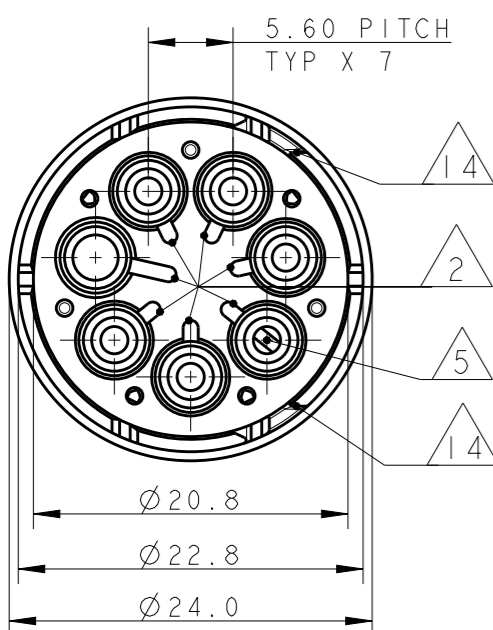
THIS DRAWING IS UNPUBLISHED. RELEASED FOR PUBLICATION 2011
© COPYRIGHT 2011 BY - ALL RIGHTS RESERVED.


LOC	DIST	REVISIONS			
P	LTR	DESCRIPTION	DATE	DWN	APVD
		6	UPDATED	23JUL2013	MZ JC
		A	PARTS RELEASED FOR PRODUCTION	17SEP2013	KR JC



NOTES:

- 1 MATERIAL: PA GF (NATURAL AND BLACK COLOUR)
 - 2 ALL POLARIZATION KEYS SHOWN FOR REF ONLY
 - 3 WAYS I.D.
 - 4 VOLTAGE AND CURRENT RATINGS
 - 5 RIB CLOSING CAVITIES BY CHANGE OVER
 - 6 TE LOGO
 - 7 TE PART NUMBER
 - 8 DATA CODE
 - 9 AREA FOR AGENCIES APPROVAL LOGO
 - 10 VISUAL INDOCATOR FOR PE CONDUCTOR
- 11) SEE C-DRAWING 293682 (LOCKING CAP) TO GET IP 40
- 12 IP CODE
 - 13 CAVITY I.D.
 - 14 SLOTS TO ALLOW DEALTCHING TOOL OPERATION. FOR DEALTCHING TOOL AND OPERATION REFER TO APPLICATION SPECIFICATION



THIS DRAWING IS A CONTROLLED DOCUMENT.		DWN A. BERNARDI 31MAR2011	 TE Connectivity	
DIMENSIONS: mm		CHK M. ZUCCA 31MAR2011		
TOLERANCES UNLESS OTHERWISE SPECIFIED:		APVD G. TURCO 31MAR2011	NAME SOCKET HOUSING 6 POLES FREE HANGING M-LINE NECTOR UNSEALED VERSION	
0 PLC ±- 1 PLC ±0.3 2 PLC ±0.20 3 PLC ±- 4 PLC ±- ANGLES ±3°		PRODUCT SPEC 108-20324	SIZE A300779	
MATERIAL -		APPLICATION SPEC 114-20169	CAGE CODE C-293656	DRAWING NO
FINISH -		WEIGHT -	RESTRICTED TO -	
		Customer Drawing	SCALE 2:1	SHEET 1 OF 2 REV A

THIS DRAWING IS UNPUBLISHED.

RELEASED FOR PUBLICATION

2011

© COPYRIGHT 2011 BY -

ALL RIGHTS RESERVED.

LOC	DIST	REVISIONS			
P	LTR	DESCRIPTION	DATE	DWN	APVD
	-	SEE SHEET 1	-	-	-

POLARIZATION TYPES

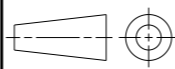
POLARIZATION TYPE "C"	POLARIZATION TYPE "D"	POLARIZATION TYPE "E"
		
PNs 0-293656-3 AND 1-293656-3	PNs 0-293656-4 AND 1-293656-4	PNs 0-293656-5 AND 1-293656-5

TABLE 1

NOTE	POL. KEYING	COLOUR	DESCRIPTION	REV.	P/N
	E	BLACK	SKT HSG 6 POLES FREE HANGING NECTOR* M-LINE	A	1-293656-5
	D	BLACK	SKT HSG 6 POLES FREE HANGING NECTOR* M-LINE	A	1-293656-4
	C	BLACK	SKT HSG 6 POLES FREE HANGING NECTOR* M-LINE	A	1-293656-3
	E	NATURAL	SKT HSG 6 POLES FREE HANGING NECTOR* M-LINE	A	0-293656-5
	D	NATURAL	SKT HSG 6 POLES FREE HANGING NECTOR* M-LINE	A	0-293656-4
	C	NATURAL	SKT HSG 6 POLES FREE HANGING NECTOR* M-LINE	A	0-293656-3

THIS DRAWING IS A CONTROLLED DOCUMENT.

DIMENSIONS:
mm



TOLERANCES UNLESS OTHERWISE SPECIFIED:

- 0 PLC ±-
- 1 PLC ±0.3
- 2 PLC ±0.20
- 3 PLC ±-
- 4 PLC ±-
- ANGLES ±3°

MATERIAL -

FINISH -

DWN A. BERNARDI 31MAR2011
 CHK M. ZUCCA 31MAR2011
 APVD G. TURCO 31MAR2011

PRODUCT SPEC 108-20324
 APPLICATION SPEC 114-20169
 WEIGHT -

Customer Drawing



NAME SOCKET HOUSING 6 POLES FREE HANGING M-LINE NECTOR UNSEALED VERSION

SIZE	CAGE CODE	DRAWING NO	RESTRICTED TO
A3	00779	C-293656	-

SCALE 2:1 SHEET 2 OF 2 REV A