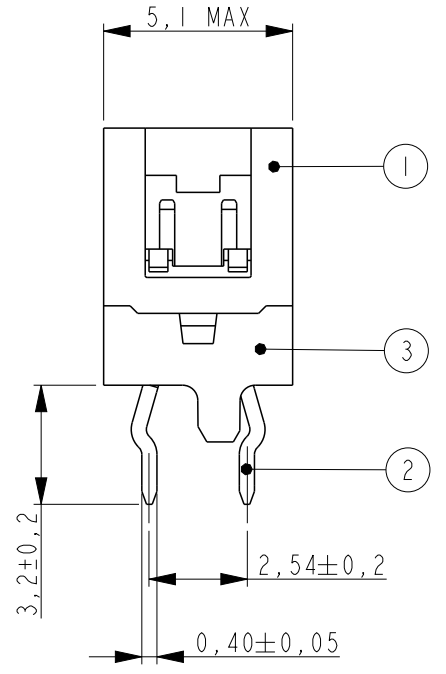
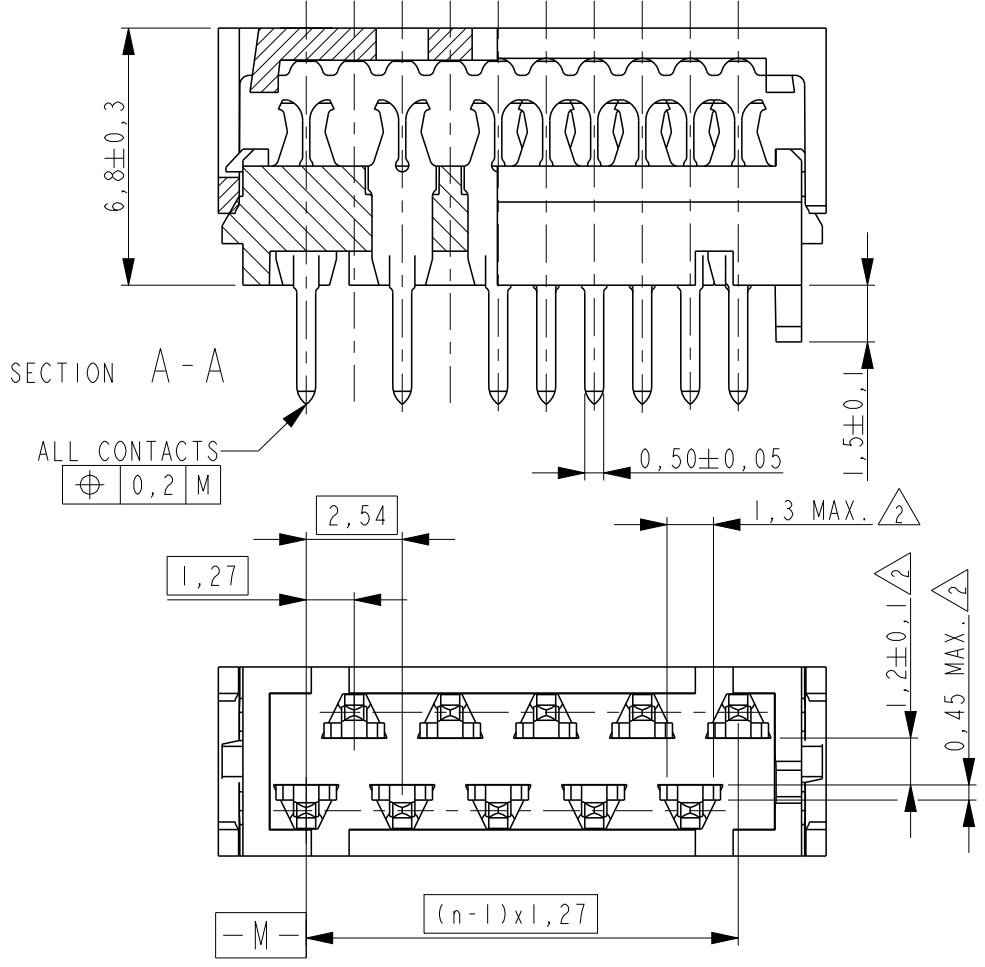
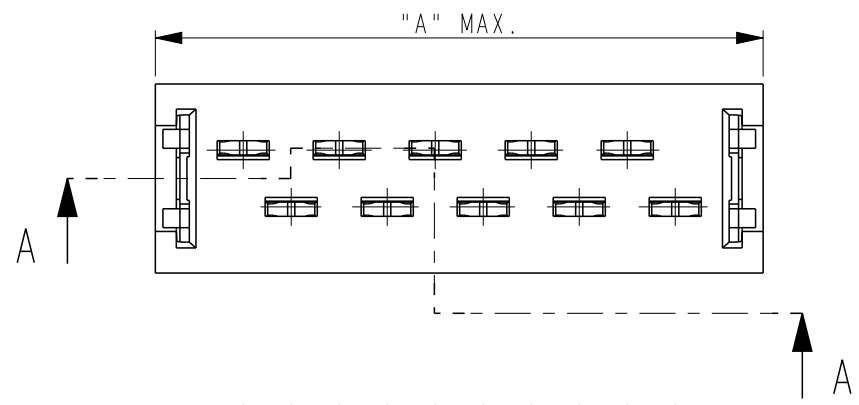
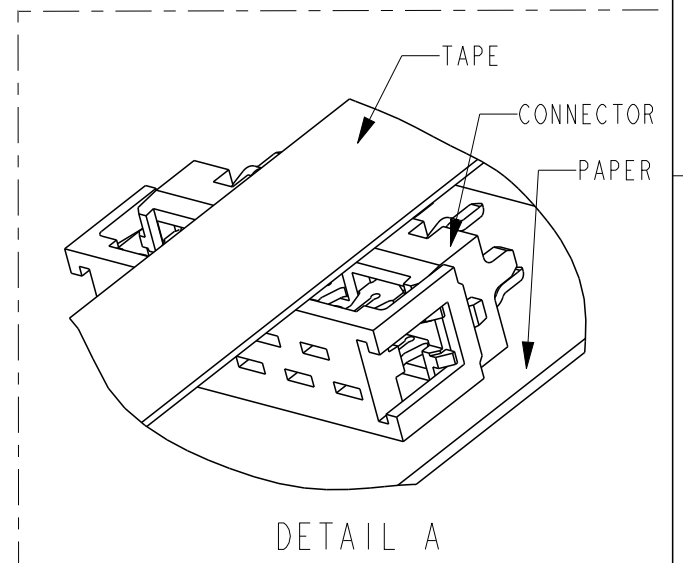


THIS DRAWING IS UNPUBLISHED. RELEASED FOR PUBLICATION  
 © COPYRIGHT 19 ALL RIGHTS RESERVED.

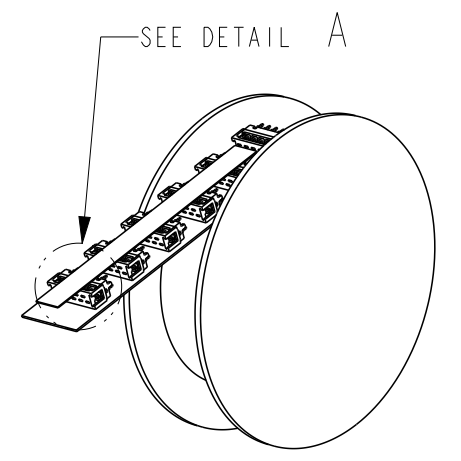
LOC	DIST	REVISIONS					
		P	LTR	DESCRIPTION	DATE	DWN	APVD
-	-	A		INITIAL RELEASE	18AUG2014	PS	JK



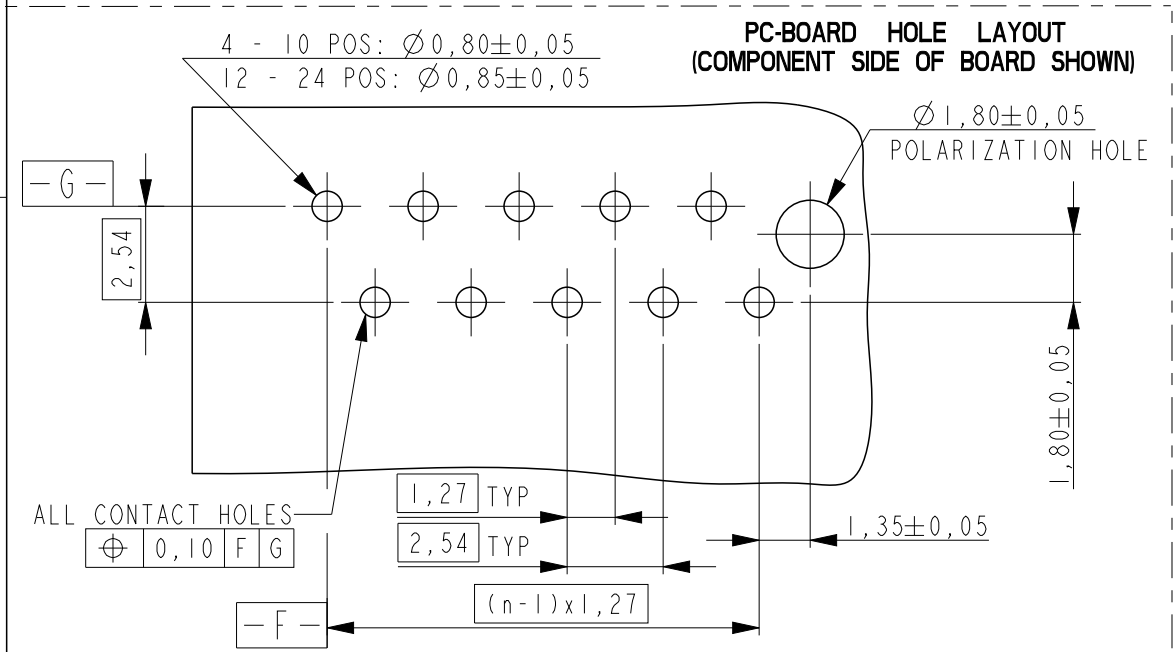
PART NUMBER REEL PACKAGING	NO. OF POS "n"	DIMENSION "A" MAX
2178713-4	4	8,6
2178713-6	6	11,1
2178713-8	8	13,6
1-2178713-0	10	16,2
1-2178713-2	12	18,7
1-2178713-4	14	21,3
1-2178713-6	16	23,8
1-2178713-8	18	26,3
2-2178713-0	20	28,9



DEREELING DIRECTION AND POSITION OF CONNECTORS.



NOTES:  
 1 SHOWN IS A 10 POS. CONNECTOR  
 2 REF. CONTACT SHOULDER BOTTOM, THAT CAN TOUCH THE PC-BOARD SURFACE.



THIS DRAWING IS A CONTROLLED DOCUMENT.

DIMENSIONS:	TOLERANCES UNLESS OTHERWISE SPECIFIED:
mm	0 PLC ±-
	1 PLC ±-
	2 PLC ±-
	3 PLC ±-
	4 PLC ±-
	ANGLES ±-
MATERIAL SEE TABLE	FINISH SEE TABLE

3	PADDLE BOARD HOUSING	PBT, GF	BLACK
2	PADDLE BOARD CONTACT	TIN BRASS	3.0 - 5.0µm TIN OVER 0.5µm NICKEL
1	COVER	PBT, GF	BLACK
ITEM NO.	DESCRIPTION	MATERIAL	FINISH / COLOR
DWN 08AUG2014	PRASHANTH	TE Connectivity Micro-MaTch VALUE LINE PADDLE BOARD CONNECTOR	
CHK 13AUG2014	PRASHANTH S		
APVD 14AUG2014	JAYANTH KUMAR		
PRODUCT SPEC			
APPLICATION SPEC	108-32087	SIZE A3	CAGE CODE 00779
WEIGHT	114-19016	DRAWING NO	C=2178713
Customer Drawing		RESTRICTED TO	
		SCALE 5:1	SHEET 1 OF 1 REV A