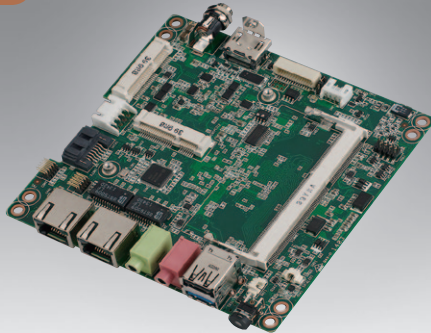


# AIMB-115

Intel® Atom™ E3826 DC 1.46 GHz UTX Industrial Motherboard with VGA/HDMI/Micro HDMI(LVDS), 2 COM, and Dual LAN

**NEW**



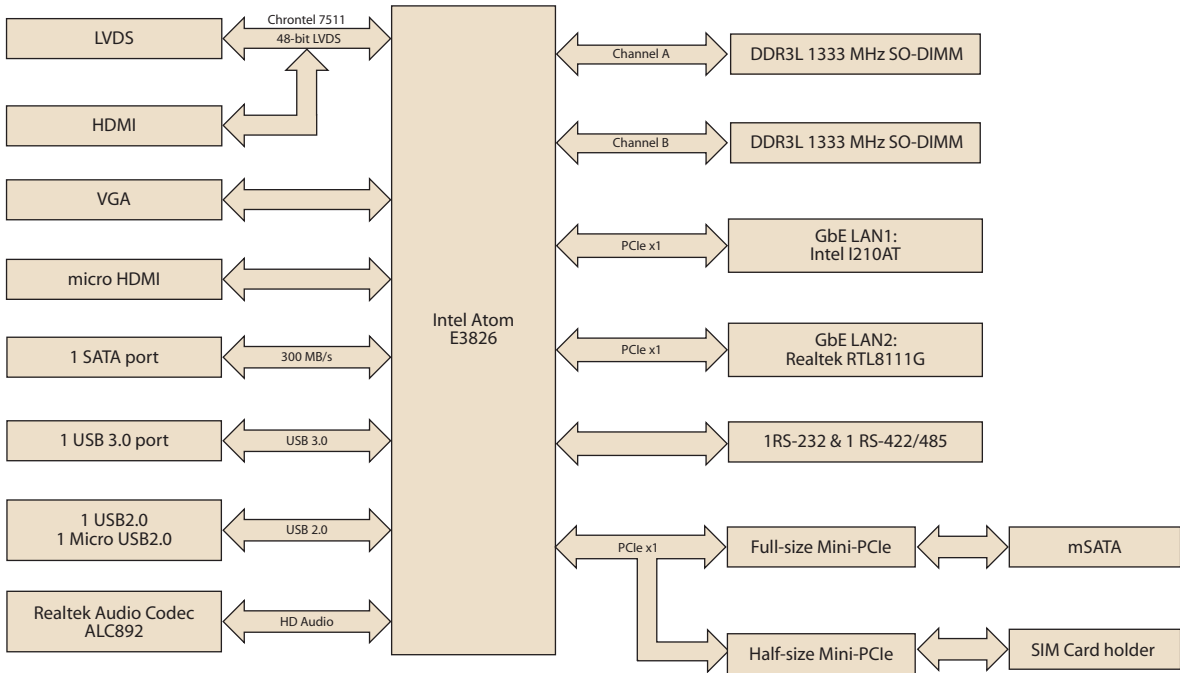
## Features

- Supports Intel® Atom™ dual core E3826 1.46 GHz processor
- Two 204-pin SO-DIMM up to 8 GB DDR3L 1333 MHz SDRAM
- Supports VGA/Micro HDMI/HDMI (colay dual-channel 48-bit LVDS)
- Supports 2 mini-PCIE expansion slot, 2 COMs, 1 USB 3.0, 2 USB 2.0 and dual LAN
- Lower total cost of ownership with DC12V support
- Supports wide temperature and fanless solution

## Specifications

Processor System	CPU (32nm)	Intel Atom E3826	
	Max. Speed	1.46 GHz (Dual Core)	
	L2 Cache	1 MB	
	BIOS	AMI 16 Mbit SPI	
Expansion Slot	PCI	-	
	Mini-PCle	F/S colay msATA H/S colay SIM holder	
	PCle	-	
Memory	Technology	Dual channel DDR3L 1333MHz SDRAM	
	Max. Capacity	8 GB/4 GB per SO-DIMM (max capacity is 8GB)	
	Socket	2 x 204-pin SO-DIMM (Non-ECC)	
Graphics	Controller	Intel Gen 7 Graphics Engines and media encode/decode engine; GPU Frequency: 750 MHz	
	VRAM	Shared system memory up to 224 MB SDRAM	
	VGA	1 D-SUB port, support 2560 x 1600 @ 60Hz	
	LVDS	Supports 24-bit dual channel and up to 1920 x 1200 Colay HDMI	
	HDMI	1, Supports HDMI1.2 up to 1920 x 1200 @ 60Hz	
	Micro HDMI	1, support Micro HDMI up to 1920x1080 @ 60Hz	
	Dual Display	VGA+HDMI, VGA+Micro HDMI, VGA+LVDS, micro HDMI+HDMI (optional), Supports extended mode and clone mode	
Ethernet	Interface	10/100/1000 Mbps	
	Controller	LAN1: Intel i210AT; LAN2:Realtek RTL8111G	
	Connector	RJ-45 x 2	
SATA	Max Data Transfer Rate	300 MB/s (SATA 2.0)	
	Channel	1	
Rear I/O	HDMI	1	
	Micro HDMI	1	
	Ethernet	2	
	USB	3 (1 x USB 3.0 & 1 x USB2.0 & 1 x Micro USB2.0)	
	Audio	2 (Line-out, Mic-in)	
	DC jack	1 (2.5mm)	
Internal Connector	LVDS & Inverter	1/1	
	VGA	15pin pin header	
	Serial	2 (1x RS-232 support 5V/12V, 1x RS-422/485)	
	SATA	1 (SATA 2.0)	
	SATA PWR connector	1	
Watchdog Timer	Output	System reset	
	Interval	Programmable 1 ~ 255 sec/min	
Power	Power Type	Single voltage 12V DC input; 1 x External DC jack	
	Typical Power Consumption	12V @ 0.88A max.	
Environment		Operating	Non-Operating
	Temperature	-20 ~ 70° C (-4 ~ 158° F)	-40 ~ 85° C (-40 ~ 185° F)
Physical Characteristics	Dimensions	111.8 x 116.8 mm (4.4" x 4.6")	

### Block Diagram



### Ordering Information

Part Number	CPU	DC/QC	GbE	COM	Display	Thermal solution
AIMB-115G2-S6A1E	E3826	DC	2	2	VGA/HDMI/Micro HDMI (optional 48-bit-LVDS)	Heatspreader

Note: Passive = fanless; Active = with fan

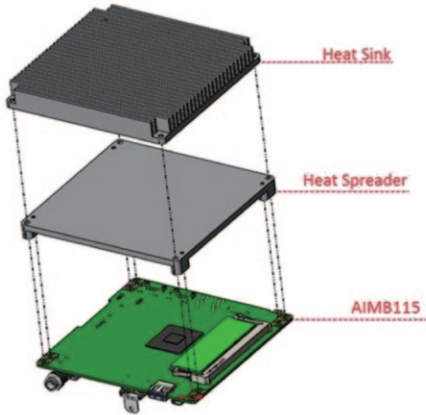
### Packing List

Description	Quantity
SATA HDD cable	1
SATA power cable	1
Serial port cable	1
Startup manual	1
Driver CD	1
Heat spreader	1

### Embedded OS/API

OS/API	Part No.	Description
WES8	TBD	Windows Embedded 8
WES7	TBD	Windows Embedded 7

### Heatsink and Heatspreader



### Optional Accessories

Part Number	Description
1757003995	Adapter AC100 to 240V 60W +12V/5A (Delta)
1757004096-01	Adapter AC to DC Adapter 12V/3A 36W
1757004522-01	AC to DC wide temperature Adapter 12V/3.33A 40W
TBD	Heatsink

### I/O View

