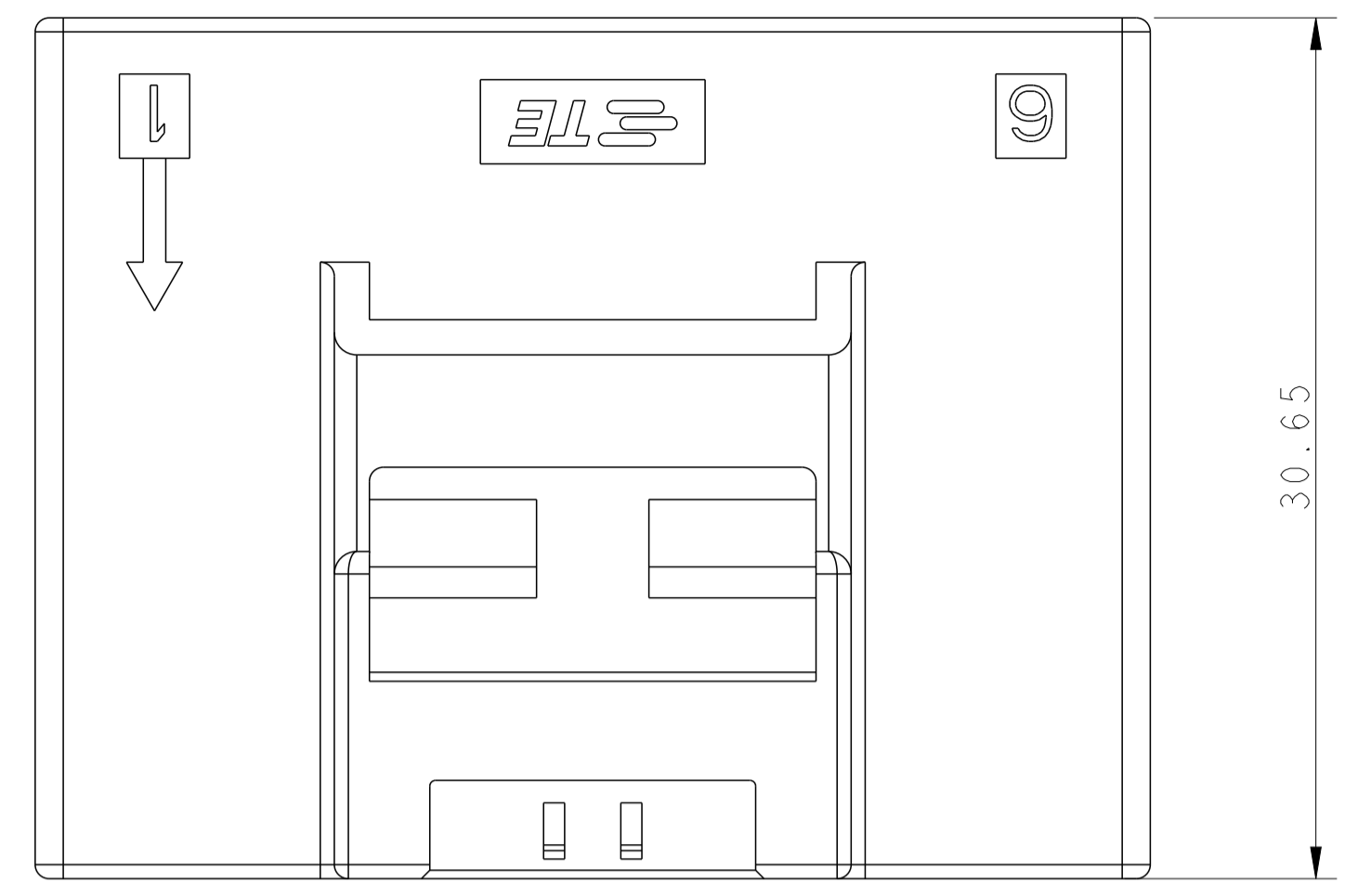
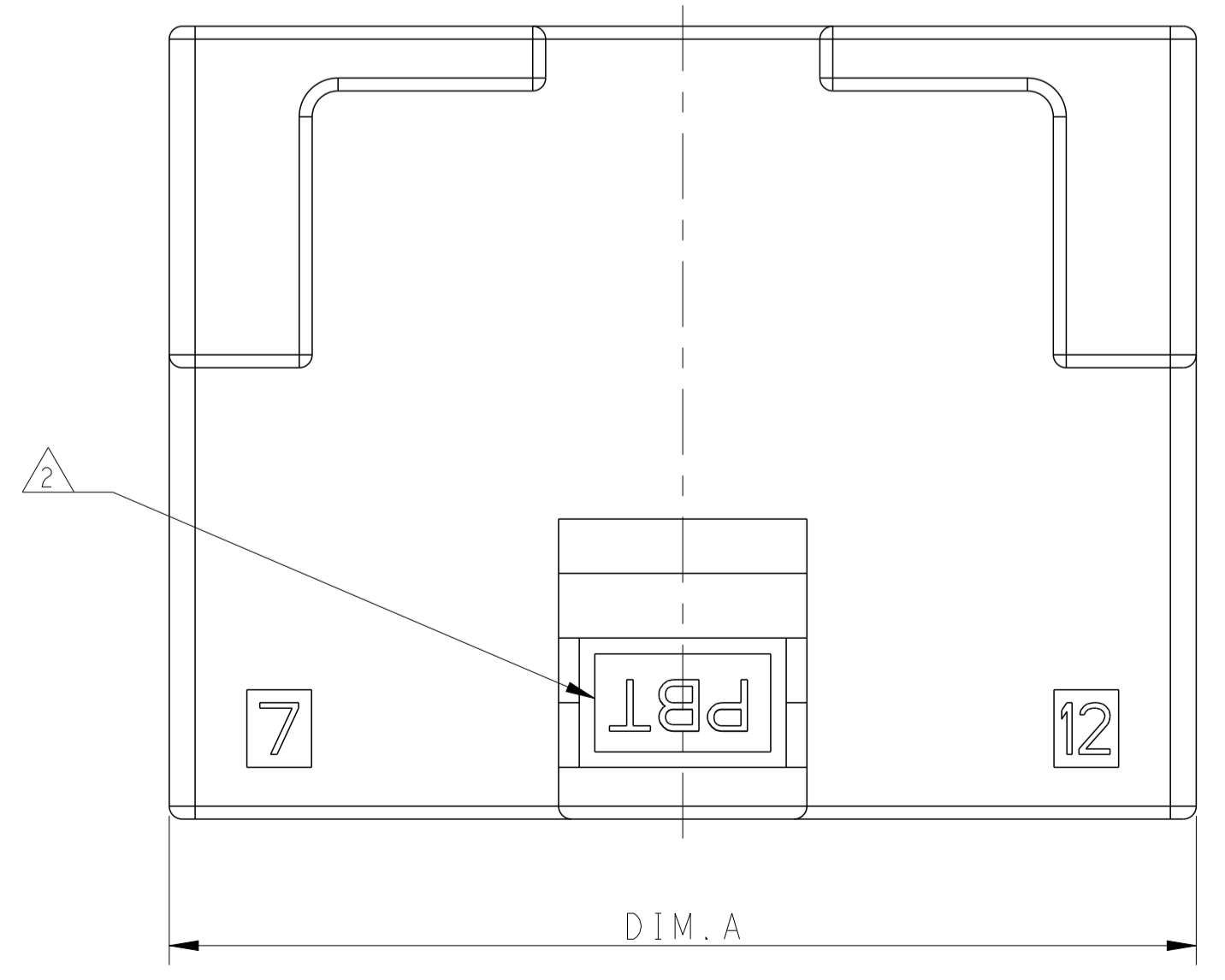
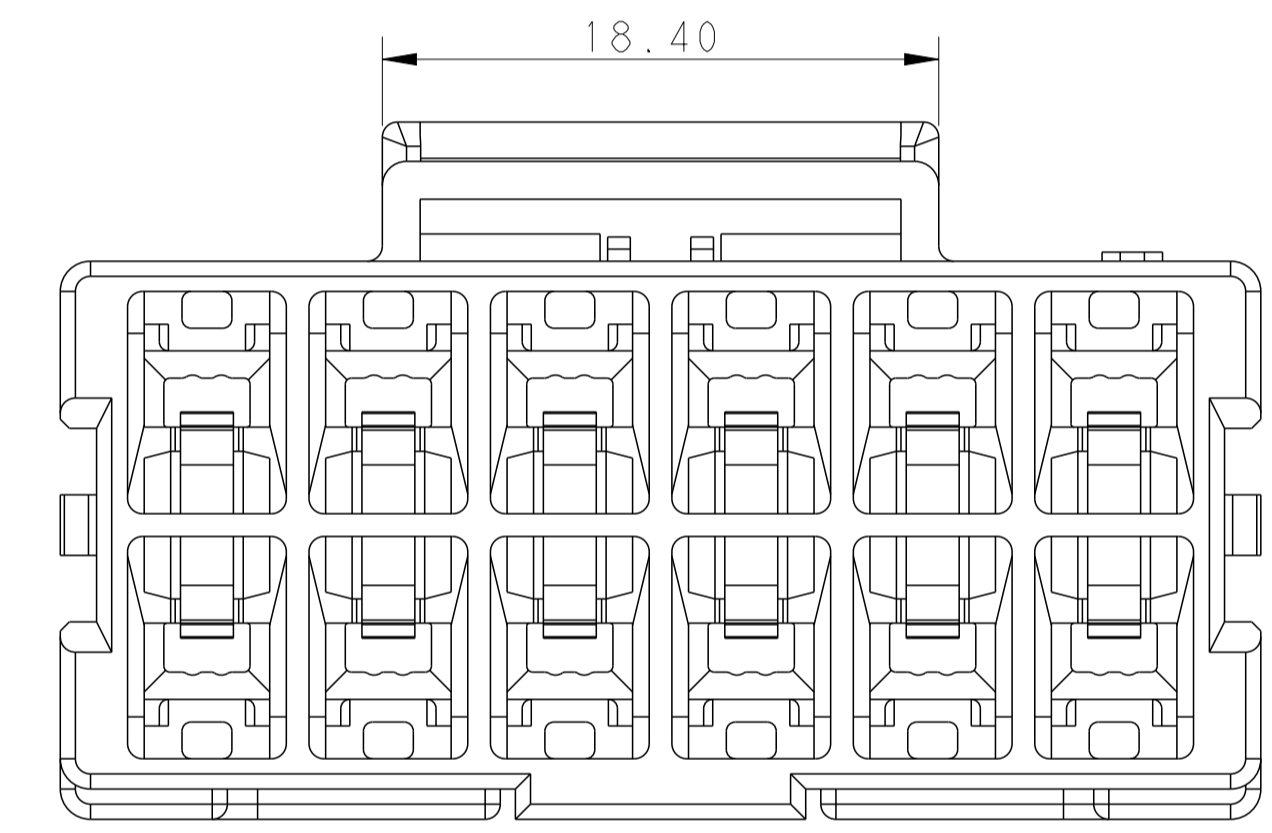
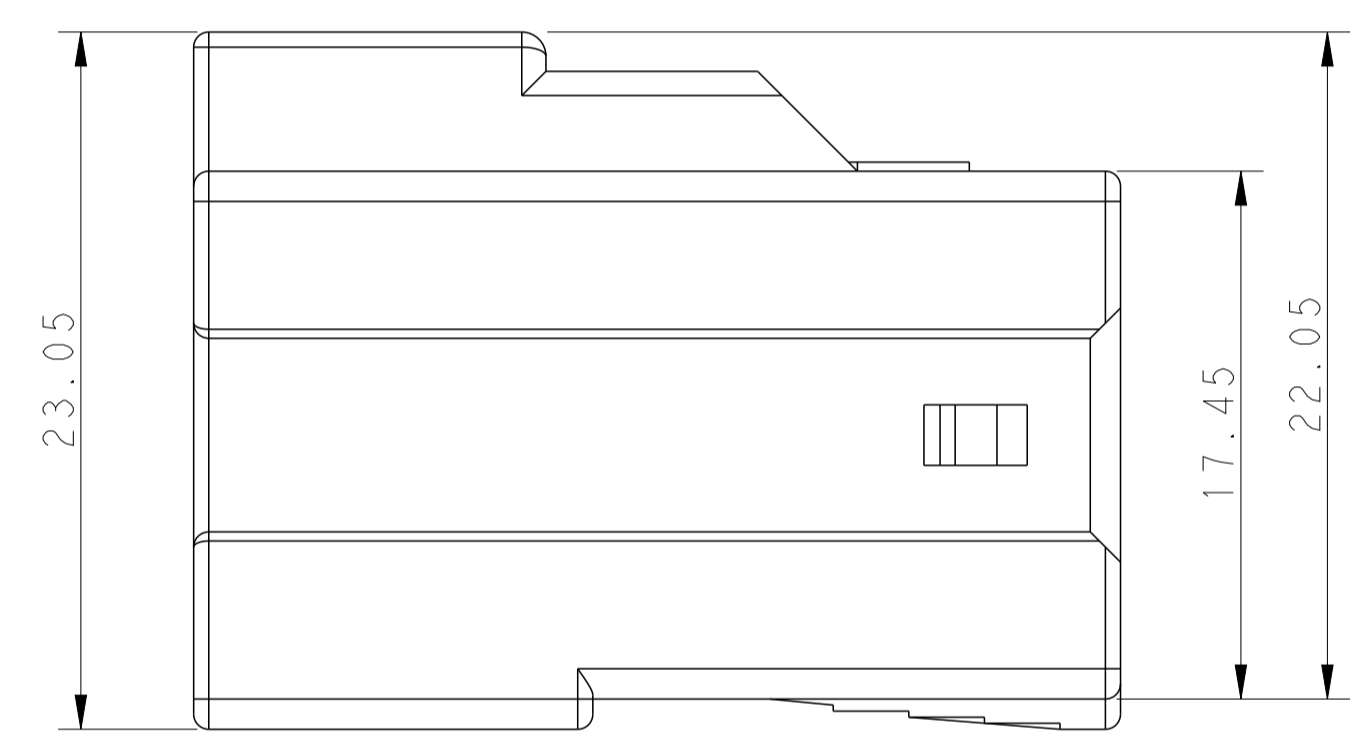
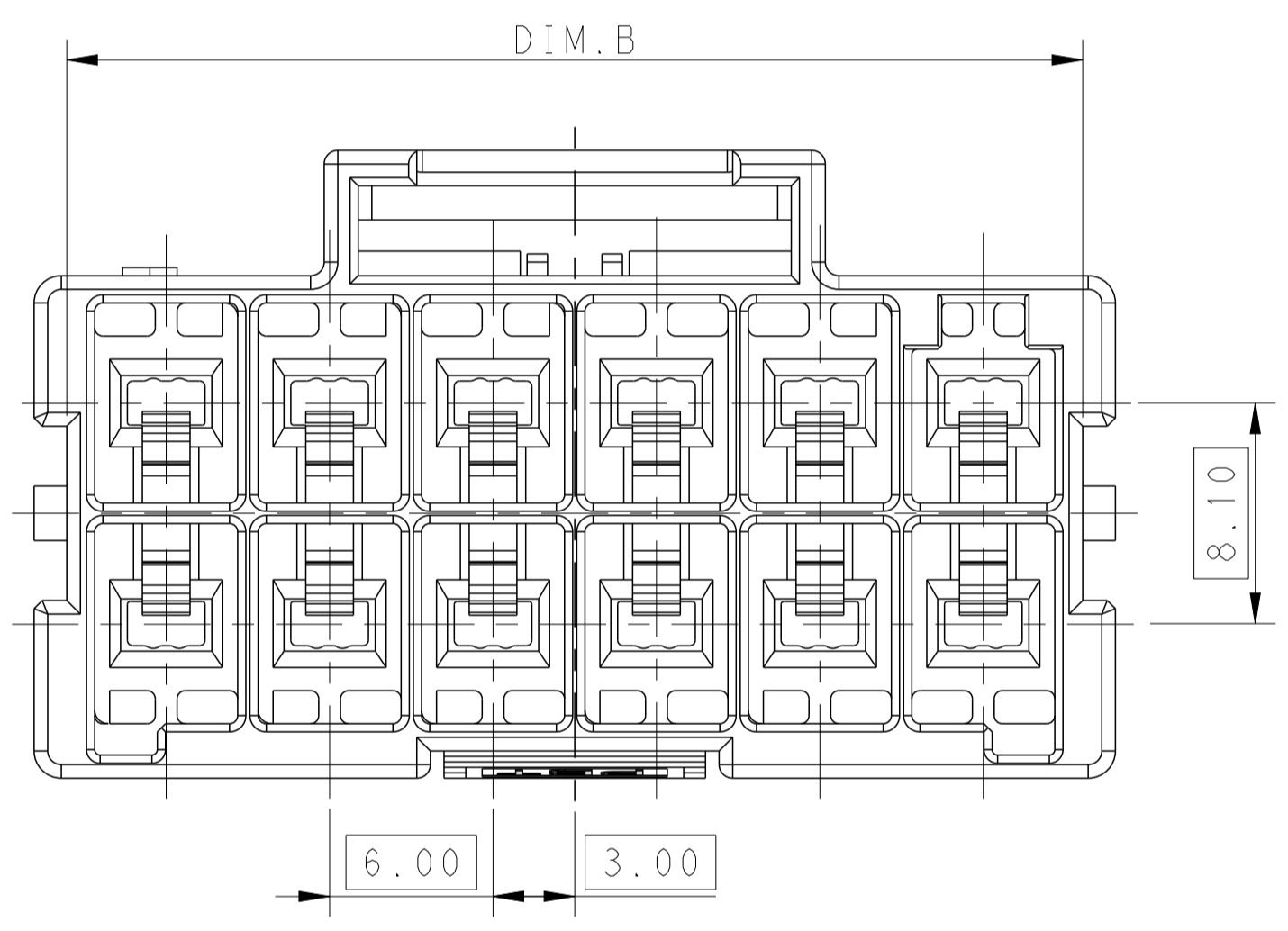


LOC		DIST		REVISIONS			
P	LTN	DESCRIPTION	DATE	DWN	APVD		
C		REVISED PER ECR-16-003314	15JUL2016	BW	GJ		



- △ MATERIAL:  
 LEVEL 1:PBT, STANDARD TEMPERATURE 105°C  
 KEY A:NATURAL; KEY B:PURPLE; KEY C:BLUE; KEY D:YELLOW  
  
 LEVEL 2:NYLON, HIGH TEMPERATURE 150°C  
 KEY A:LIGHT GREY; KEY B:RED; KEY C:BLACK; KEY D:NATURAL
- △ MATERIAL MARK:  
 LEVEL 1:PBT, LEVEL 2:HDT
- 3 APPLICABLE CONTACT P/N  
 TAB CONTACT:1971238/1971780/82/84/86/88-\*,2238067-\*
- 4 MATING CONN, P/N  
 PLUG HSG:\*-1971776-  
 TPA(LOCK PLATE):\*-1971778-\*

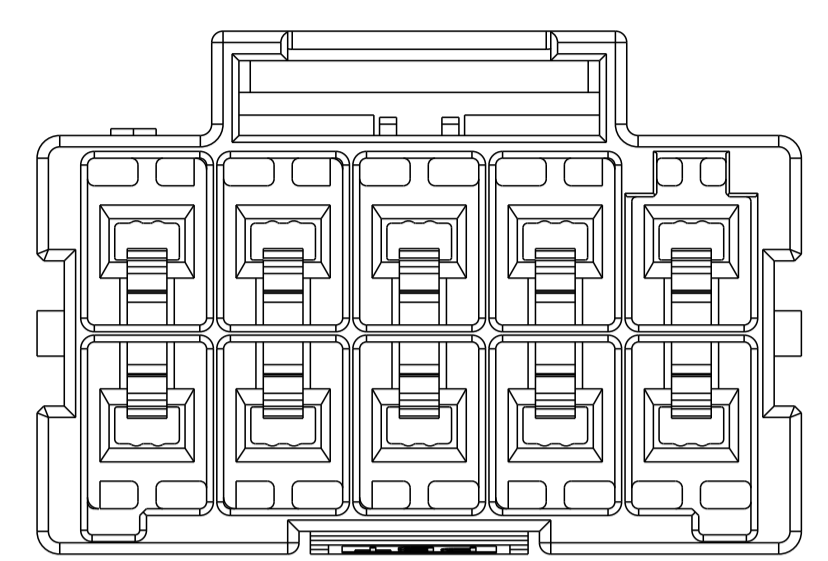
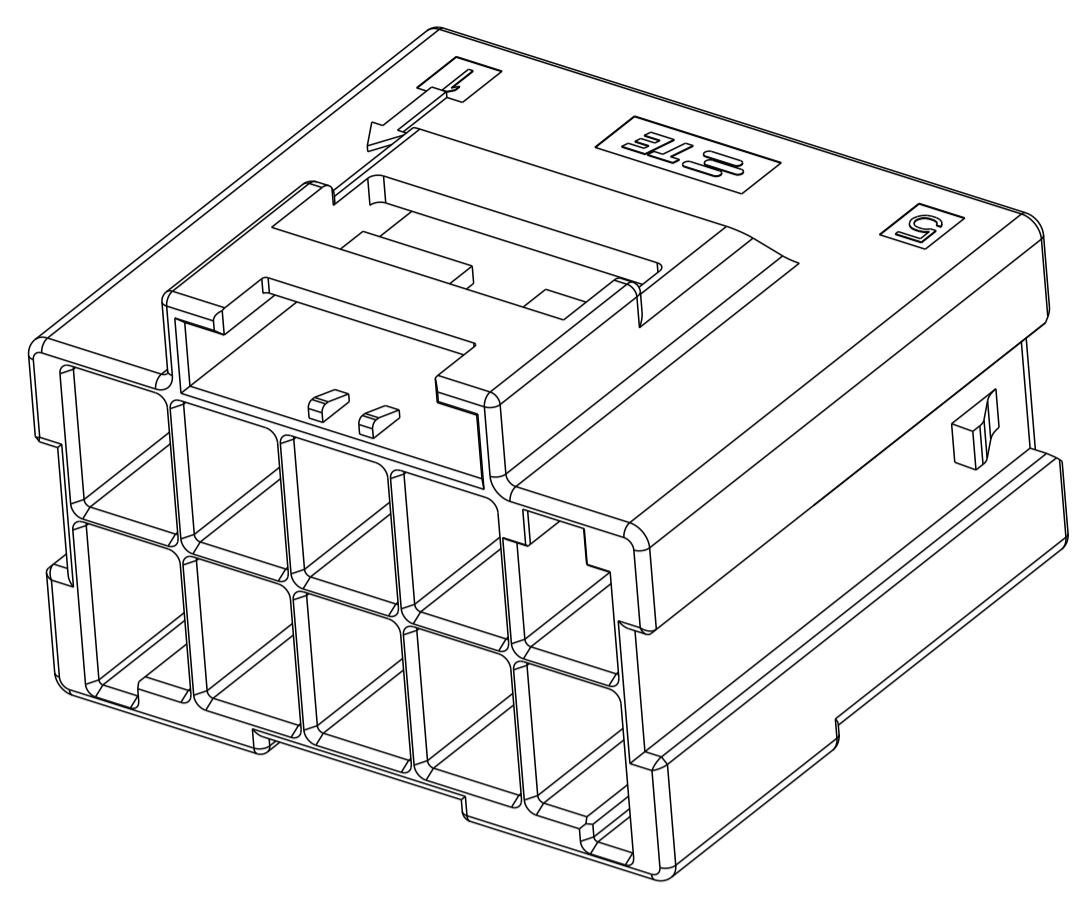
5 THIS PRODUCT HAS NOT COMPLETED VALIDATION TESTING



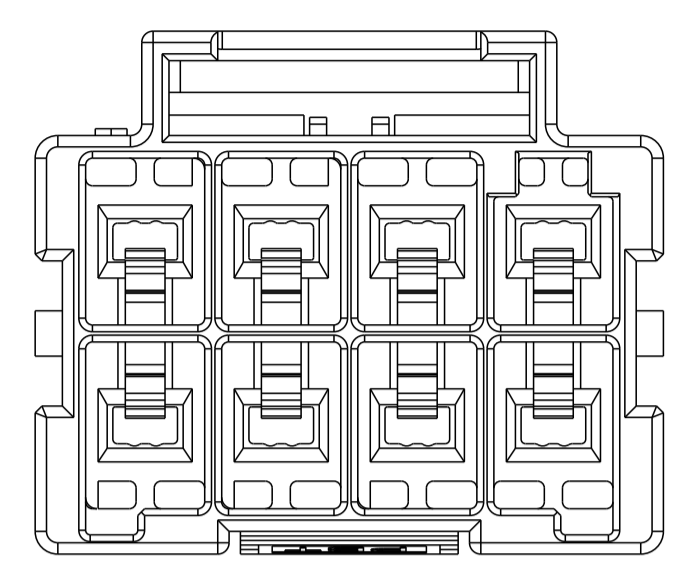
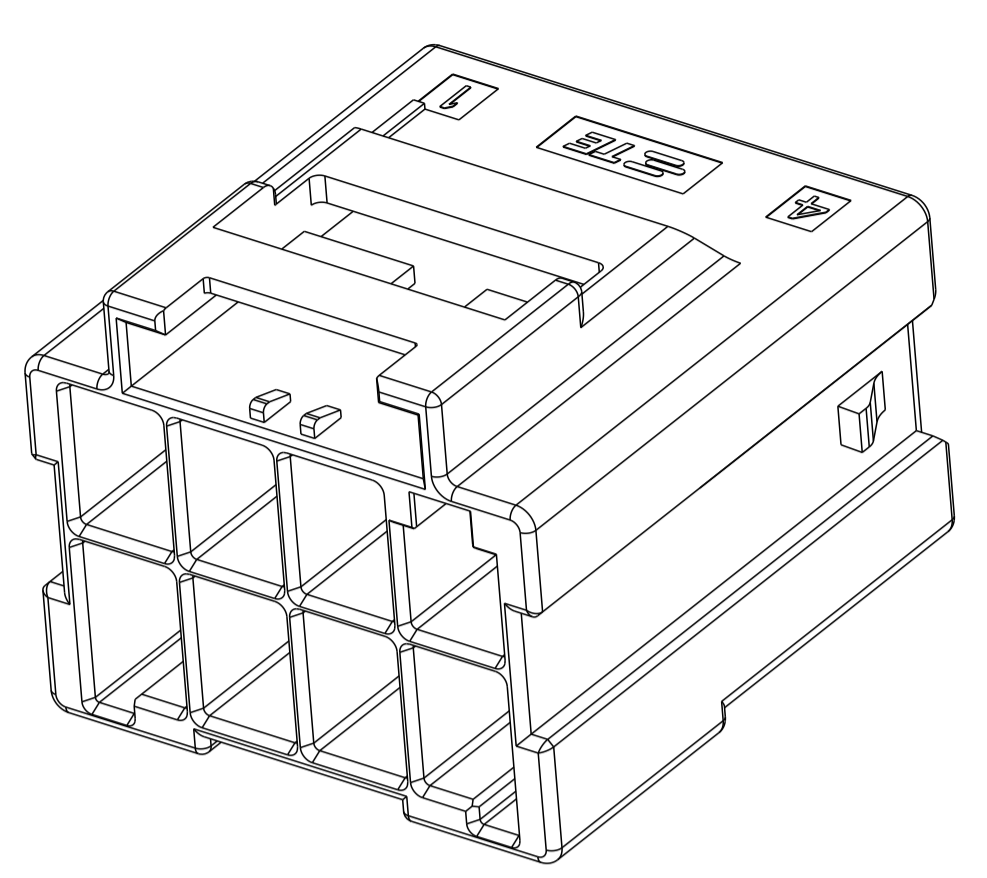
POS.	DIM. A	DIM. B
2*6	39.70	37.30
2*5	33.70	31.30
2*4	27.70	25.30
2*3	21.70	19.30

THIS DRAWING IS A CONTROLLED DOCUMENT.		DWN: TOMMY WU 09JUL2012	TE Connectivity CAP HOUSING, FREE HANGING, DOUBLE ROW POWER TRIPLE LOCK
DIMENSIONS:		CHK: HAPYE WU 09JUL2012	
TOLERANCES UNLESS OTHERWISE SPECIFIED:		APVD: YIHONG MAO 09JUL2012	
mm		PRODUCT SPEC	
0 PLC ±		108-106118	NAME
1 PLC ±0.35		APPLICATION SPEC	SIZE
2 PLC ±0.25		114-106118	CAGE CODE
3 PLC ±		WEIGHT	DRAWING NO
4 PLC ±		Customer Drawing	RESTRICTED TO
ANGLES ±		A1 00779	SCALE
FINISH		©=1971774	SHEET
MATERIAL			1 OF 2
FINISH			REV
MATERIAL			C

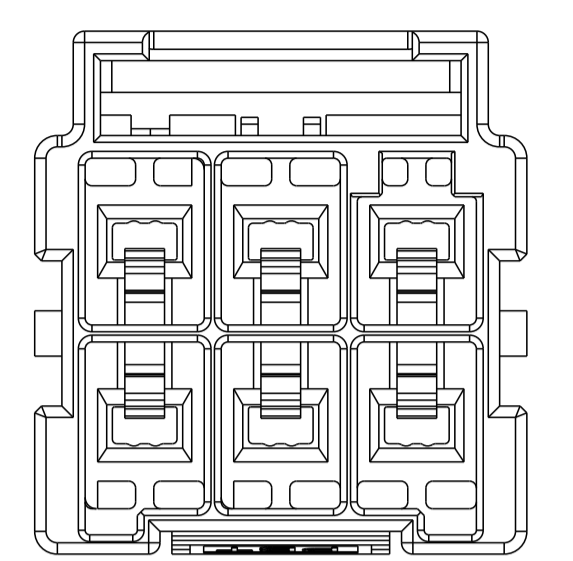
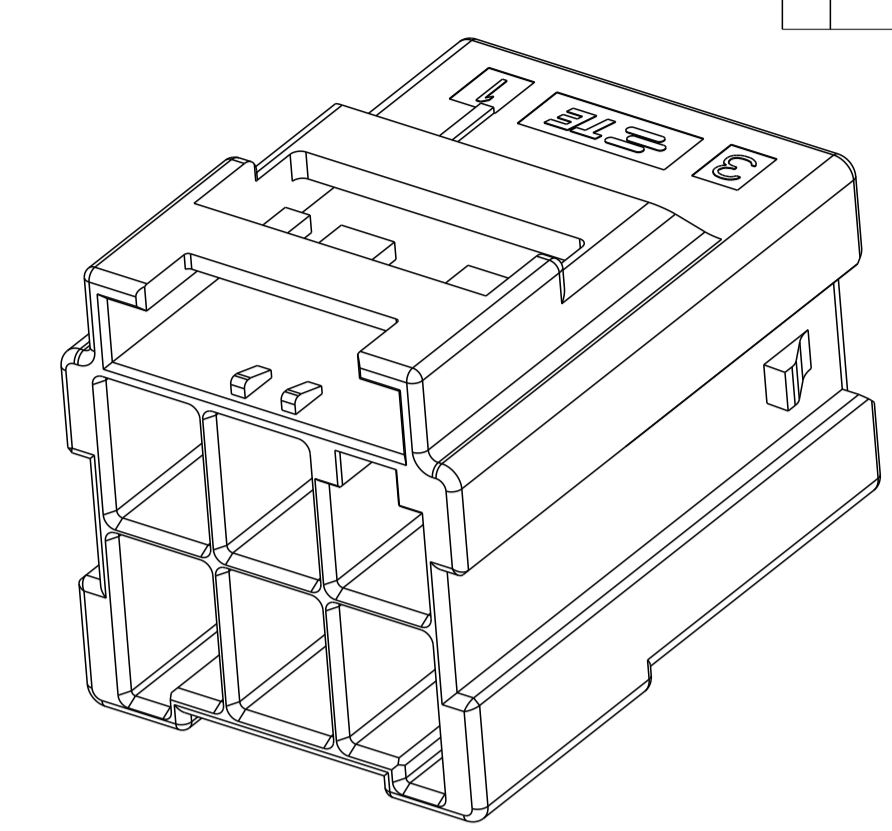
LOC		DIST		REVISIONS			
P	LTN	DESCRIPTION	DATE	OWN	APVD		
-	-	SEE SHEET 1	-	-	-		



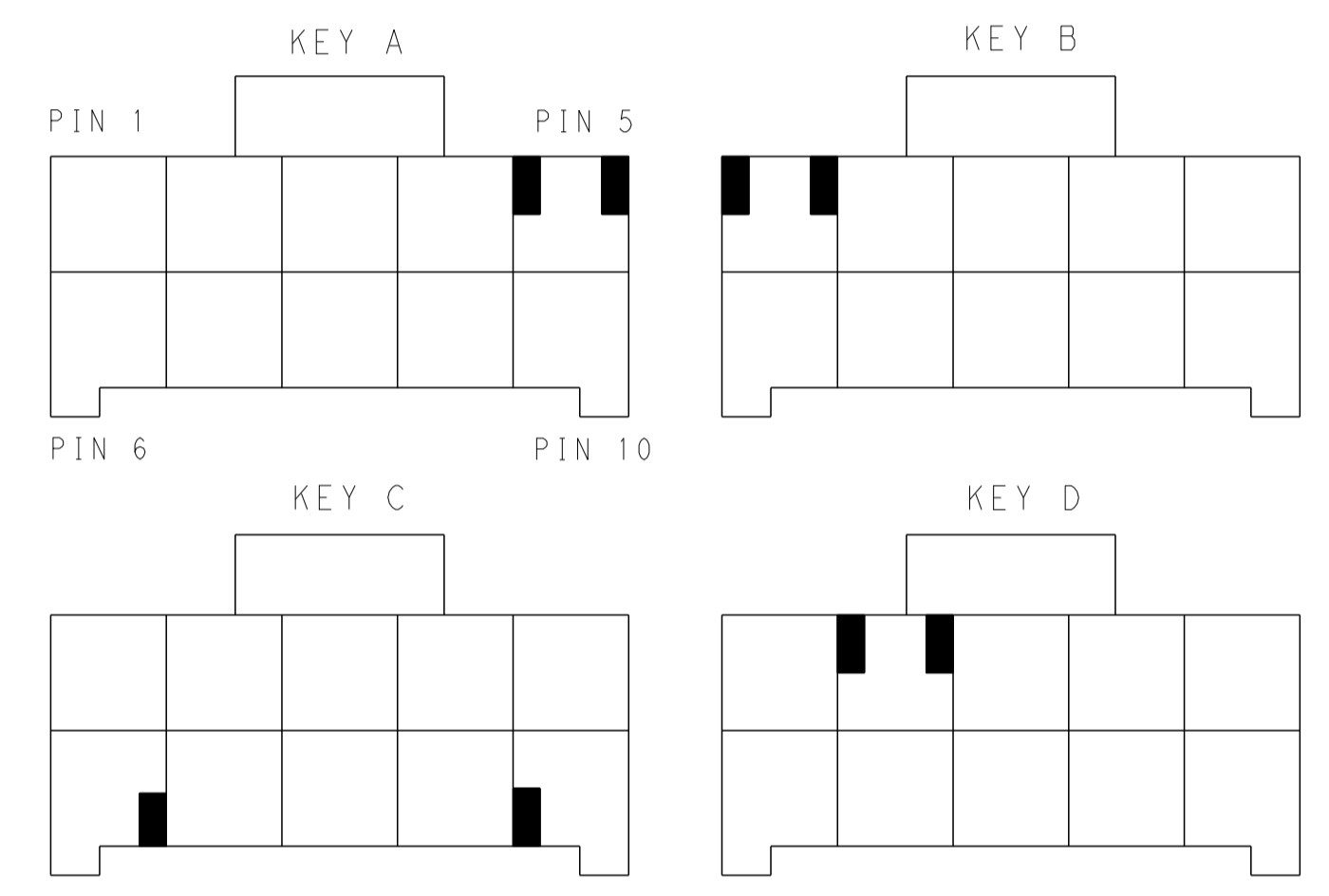
2\*5 POSITIONS



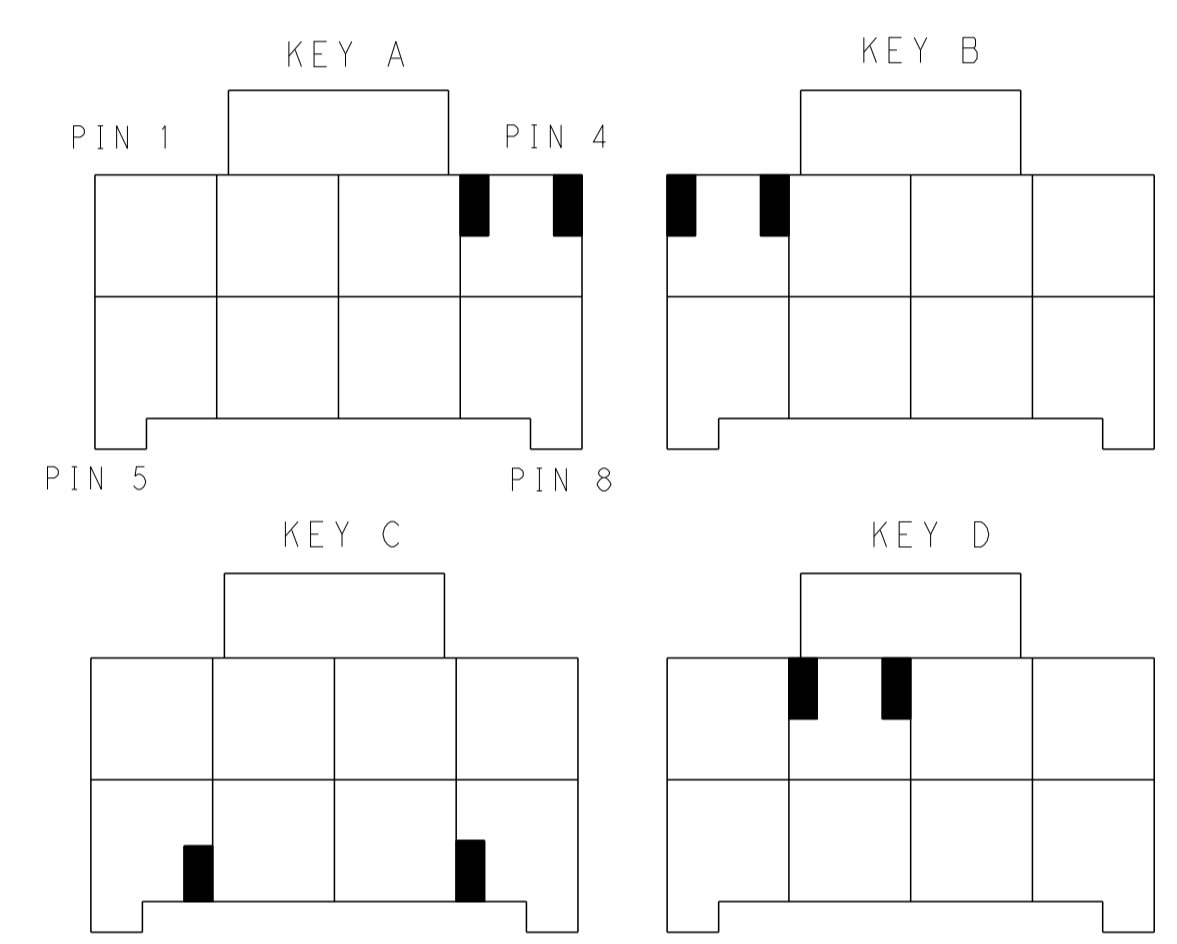
2\*4 POSITIONS



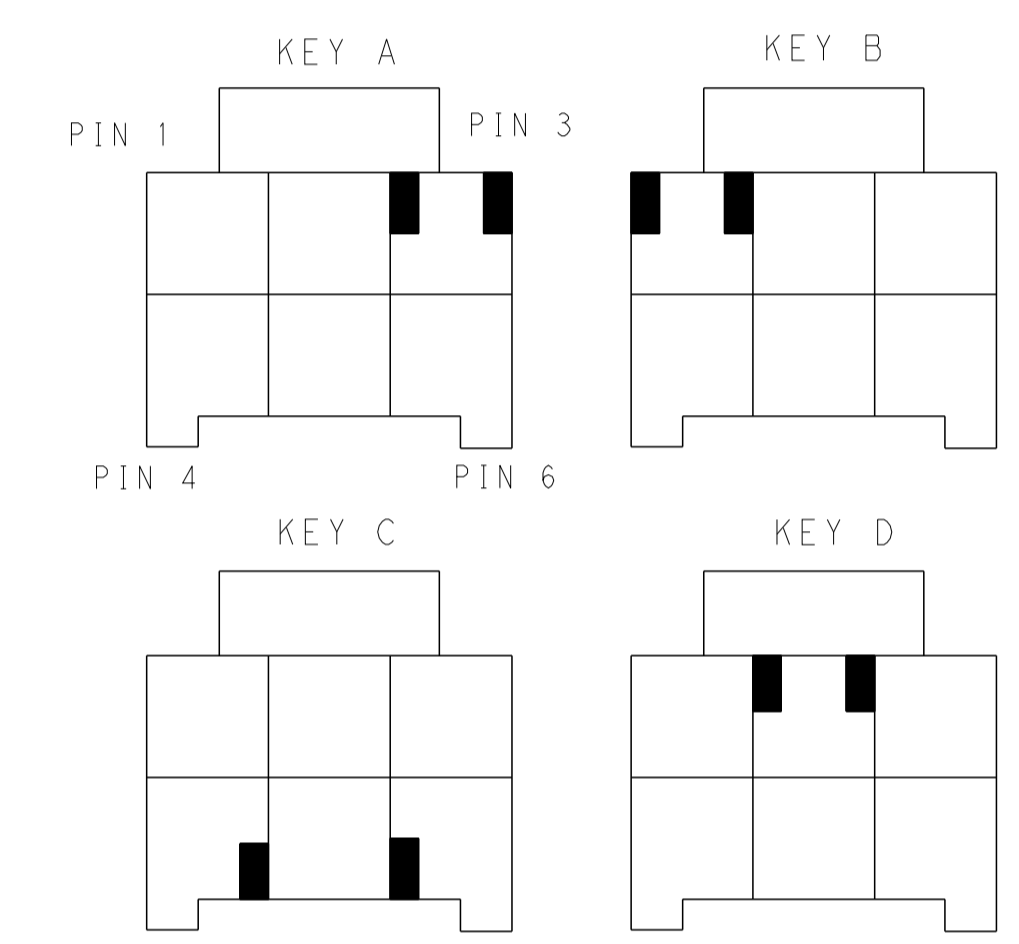
2\*3 POSITIONS



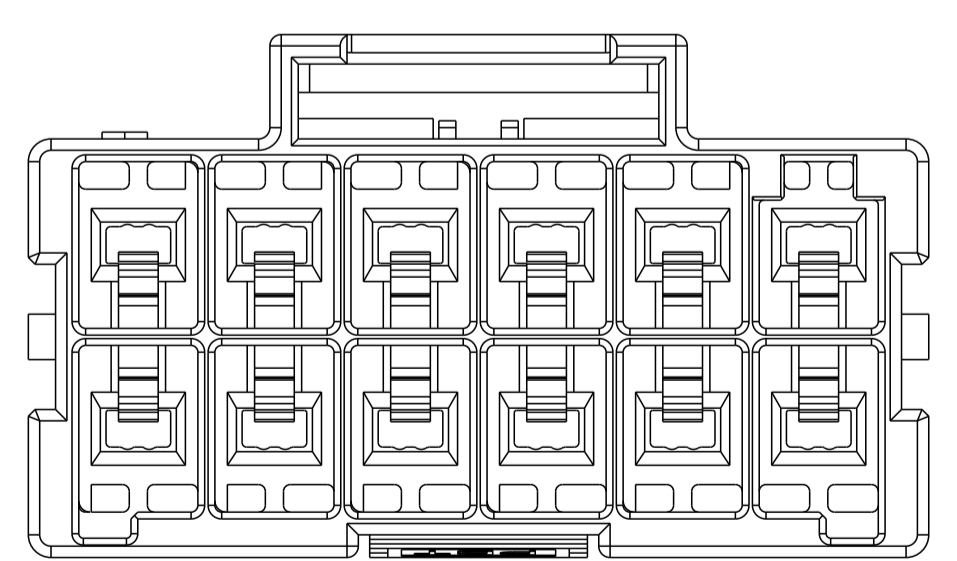
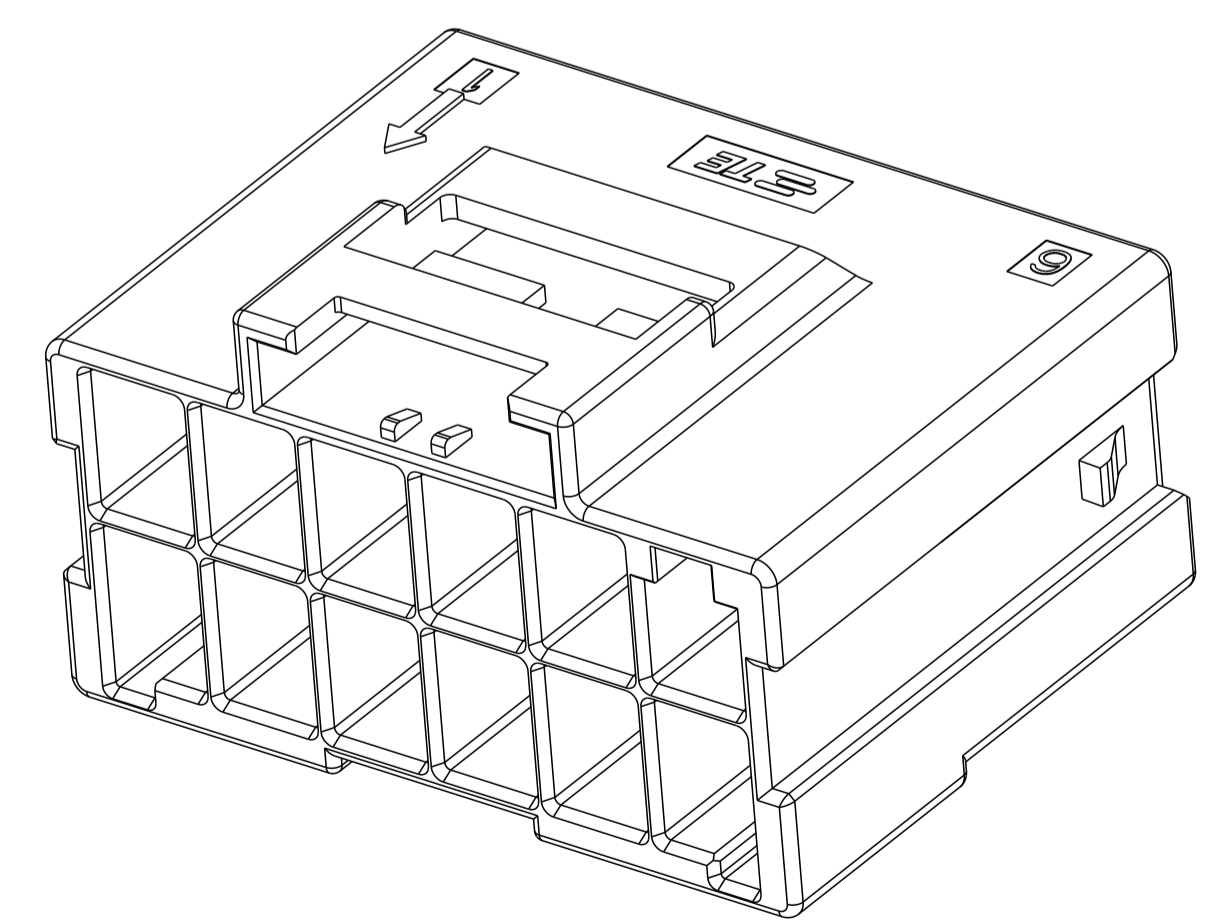
KEYING FOR 2\*5 POS.



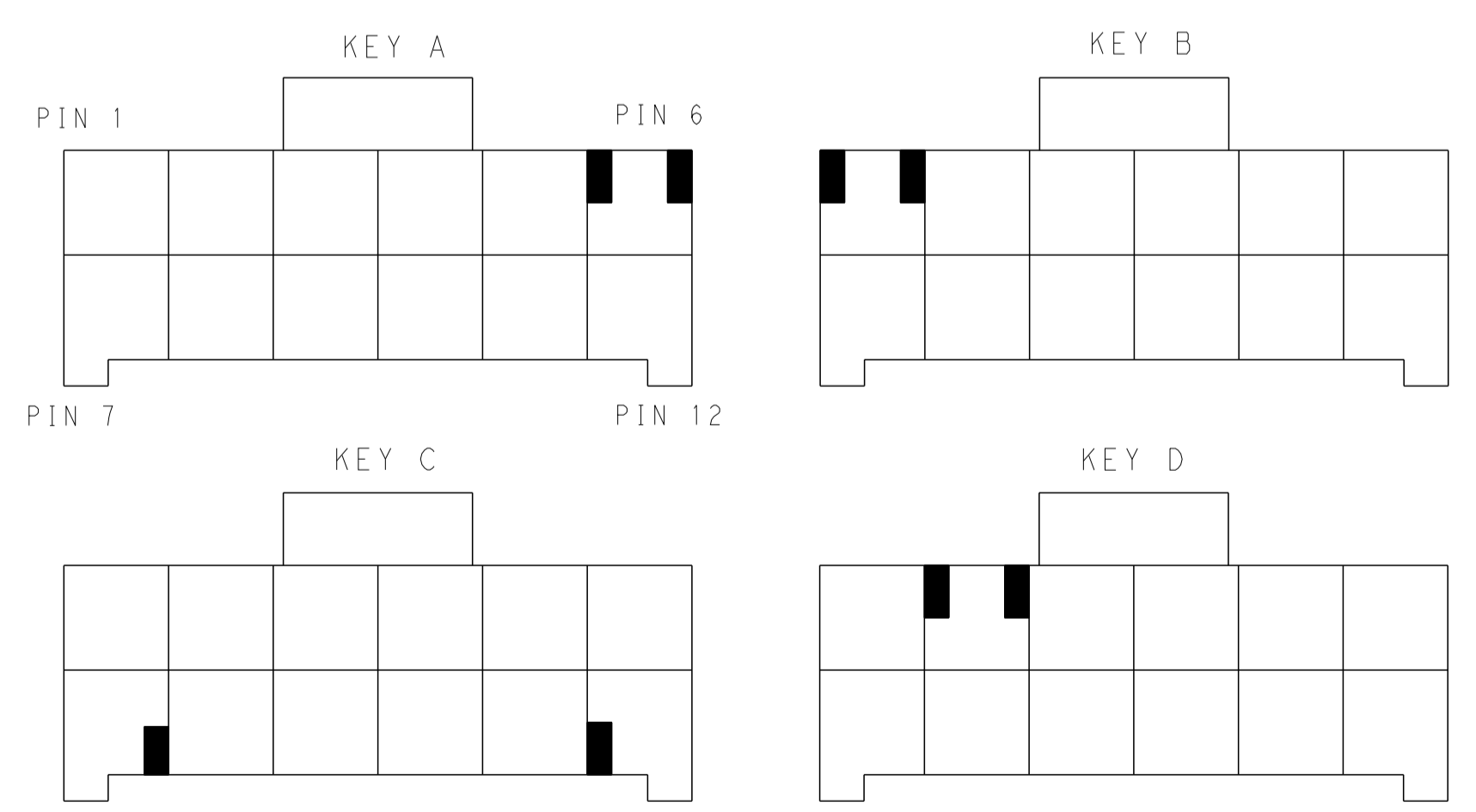
KEYING FOR 2\*4 POS.



KEYING FOR 2\*3 POS.



2\*6 POSITIONS



KEYING FOR 2\*6 POS.

POS.	MATERIAL	KEY	P/N
2*6	LEVEL 1	KEY A	1-1971774-6
		KEY B	2-1971774-6
		KEY C	3-1971774-6
		KEY D	4-1971774-6
2*6	LEVEL 2	KEY A	5-1971774-6
		KEY B	6-1971774-6
		KEY C	7-1971774-6
		KEY D	8-1971774-6
2*5	LEVEL 1	KEY A	1-1971774-5
		KEY B	2-1971774-5
		KEY C	3-1971774-5
		KEY D	4-1971774-5
2*5	LEVEL 2	KEY A	5-1971774-5
		KEY B	6-1971774-5
		KEY C	7-1971774-5
		KEY D	8-1971774-5

POS.	MATERIAL	KEY	P/N
2*4	LEVEL 1	KEY A	1-1971774-4
		KEY B	2-1971774-4
		KEY C	3-1971774-4
		KEY D	4-1971774-4
2*4	LEVEL 2	KEY A	5-1971774-4
		KEY B	6-1971774-4
		KEY C	7-1971774-4
		KEY D	8-1971774-4
2*3	LEVEL 1	KEY A	1-1971774-3
		KEY B	2-1971774-3
		KEY C	3-1971774-3
		KEY D	4-1971774-3
2*3	LEVEL 2	KEY A	5-1971774-3
		KEY B	6-1971774-3
		KEY C	7-1971774-3
		KEY D	8-1971774-3

THIS DRAWING IS A CONTROLLED DOCUMENT. DWN: TOMMY\_WU 09JUL2012  
 CHK: HAPYE\_WU 09JUL2012  
 APVD: YUHONG\_MAO 09JUL2012

TE Connectivity

NAME: CAP HOUSING, FREE HANGING, DOUBLE ROW POWER TRIPLE LOCK

PRODUCT SPEC: 108-106118  
 APPLICATION SPEC: 114-106118

SIZE: A1 00779 C=1971774  
 SHEET 2 OF 2 REV C

MATERIAL: - FINISH: - WEIGHT: - SCALE: -

Customer Drawing