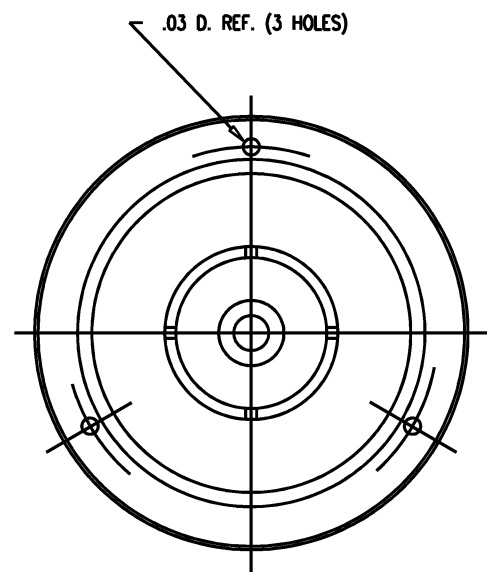
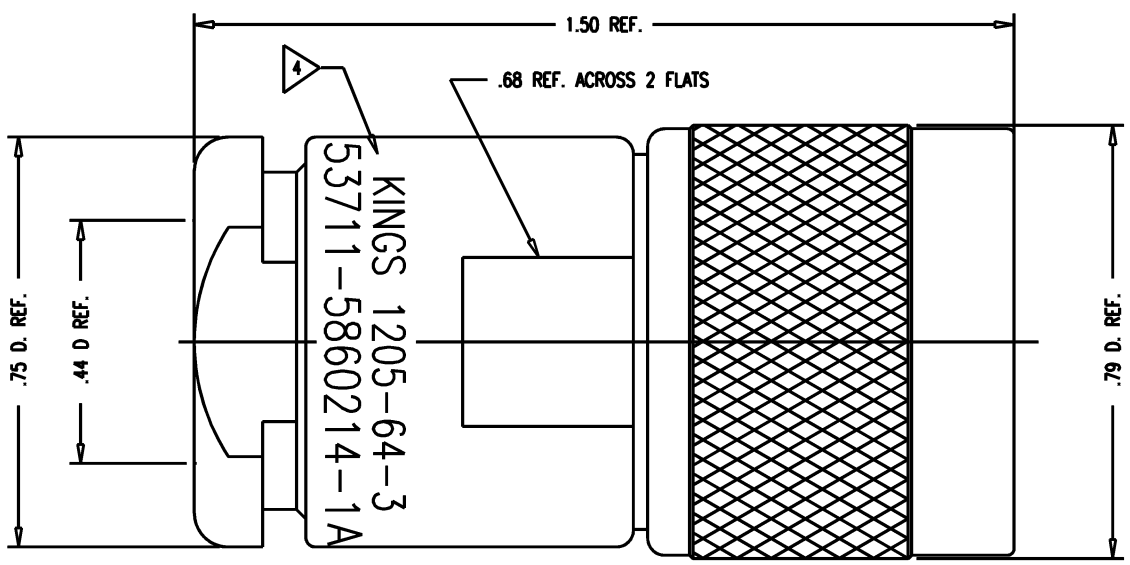


DASH NO.	M CODE	MADE FROM
----------	--------	-----------

# GSD

1205-64-3

REVISIONS	
ISSUE	CHANGES
0	ER 36460 KH 07/20/95
1	CN 37491 A JW 11/18/97
2	CN 37564 C JW 02/09/98



- NOTES:**
- FOR USE WITH RG-8, 9, 213 & 214/U CABLE GROUPS.
  - FOR CABLING INSTRUCTIONS SEE CP-1016.
  - INTERFACE PER MIL-STD-348, FIG. 304-1.
  - PART MARKED WITH KINGS PART NO., CUSTOMER CAGE CODE, PART NO. AND REV LETTER.
  - MATERIALS:**
    - INSULATORS: TEFLON, ASTM-D-4894
    - WASHER: COPPER, QQ-C-576
    - GASKETS: SILICONE RUBBER, ZZ-R-765
    - COUPLING NUT } STAINLESS STEEL, TYPE 316
    - BODY } STAINLESS STEEL, TYPE 316
    - CLAMP NUT }
    - C-RING: CORROSION RESISTING STEEL PER ASM-5678
    - OUTER CONTACT: PHOSPHOR BRONZE, ASTM-B-103
    - ALL OTHER METAL PARTS: BRASS, ASTM-B16
  - FINISHES:**
    - CENTER CONTACT } HARD GOLD PLATE, PER MIL-G-45204
    - OUTER CONTACT }
    - ALL OTHER METAL PARTS: PASSIVATE PER QQ-P-35
  - ELECTRICAL CHARACTERISTICS:**
    - NOMINAL IMPEDANCE: 50 OHMS
    - WORKING VOLTAGE: 1000 VRMS
    - FREQUENCY RANGE: DC TO 11 GHz.

12056432

SCALE 4:1

APPROX SURFACE AREA

USED ON

REF: NAVSEA DWG 5860214

PLUG, N

DRAWN	KH	DATE	07/20/95
DESIGN	CT	DATE	07/25/95
APPR.	FDH	DATE	11/19/97

**KINGS**  
ELECTRONICS CO., INC.  
TUCKAHOE, NEW YORK 10707

1205-64-3

# GSD