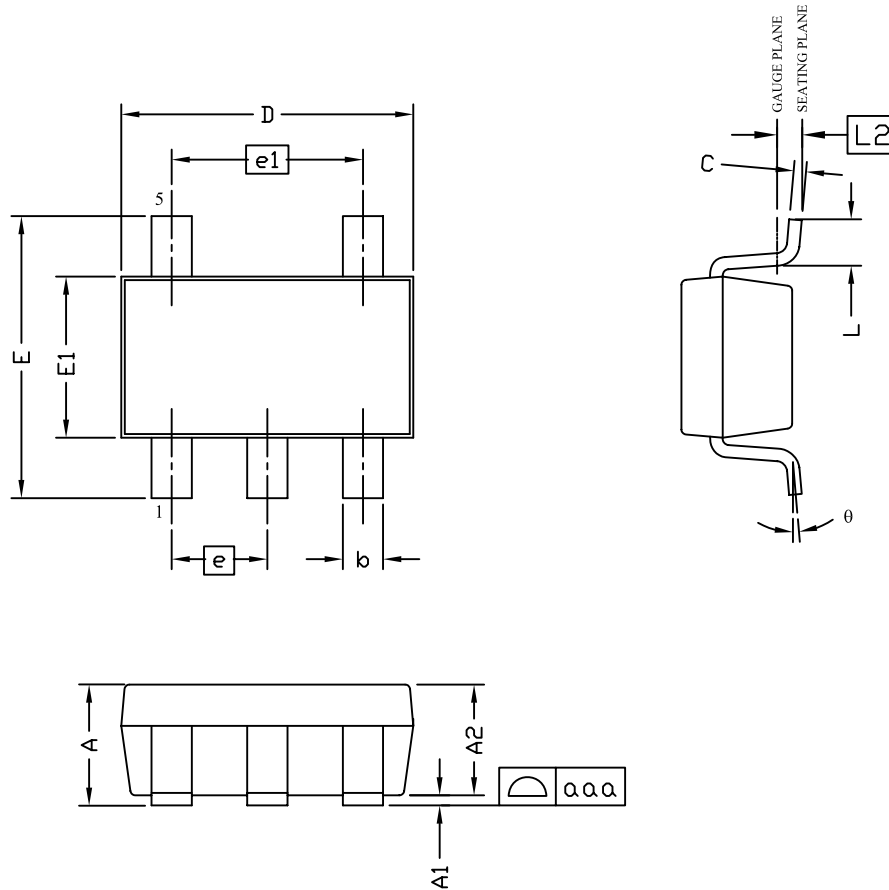
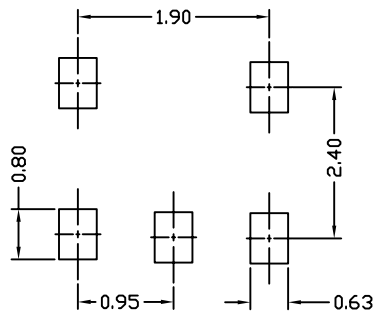




SOT23_5L LP PACKAGE OUTLINE



RECOMMENDED LAND PATTERN



SYMBOLS	DIMENSIONS IN MILLIMETERS			DIMENSIONS IN INCHES		
	MIN	NOM	MAX	MIN	NOM	MAX
A	---	---	1.00	---	---	0.039
A1	0.00	---	0.10	0.00	---	0.004
A2	0.70	0.88	0.95	0.028	0.035	0.037
b	0.35	0.40	0.50	0.014	0.016	0.020
C	0.10	0.13	0.20	0.004	0.005	0.008
D	2.80	2.90	3.00	0.110	0.114	0.118
E	2.60	2.80	3.00	0.102	0.110	0.118
E1	1.50	1.60	1.70	0.059	0.063	0.067
e	0.95 BSC.			0.037BSC.		
e1	1.90 BSC.			0.075 BSC.		
L	0.30	0.40	0.60	0.012	0.016	0.024
L2	0.25BSC			0.010BSC		
aaa	0.10			0.004		
θ	0°	---	8°	0°	---	8°

UNIT: mm

NOTE

- PACKAGE BODY SIZES EXCLUDE MOLD FLASH AND GATE BURRS.
MOLD FLASH AT THE NON-LEAD SIDES SHOULD BE LESS THAN 5 MIL EACH.
- DIMENSION "L" IS MEASURED IN GAUGE PLANE.
- TOLERANCE ± 0.100 mm(4 mil) UNLESS OTHERWISE SPECIFIED.
- REFER TO JEDEC MO-193C AB.
- CONTROLLING DIMENSIONS IS MILLIMETER.
CONVERTED INCH DIMENSIONS ARE NOT NECESSARILY EXACT.