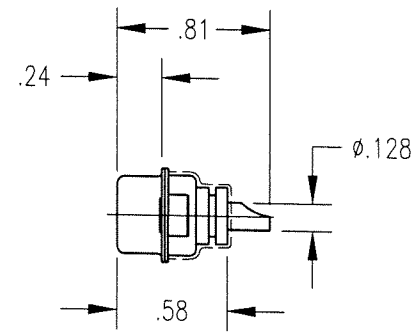
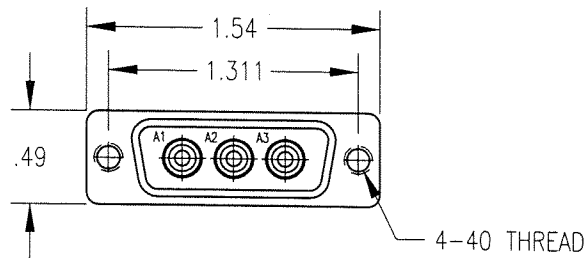
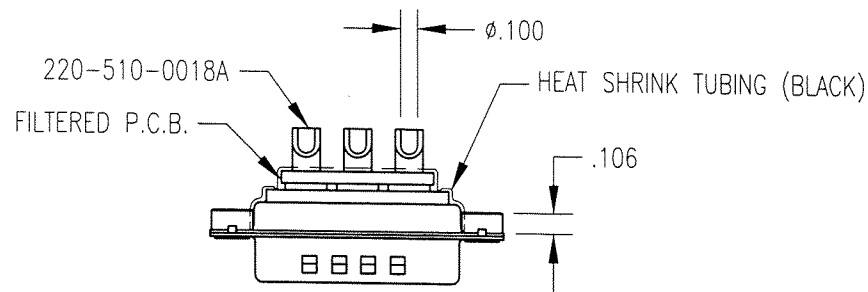


DWG. NO.		RM3W3P-1023	
REV	DESCRIPTION	BY	APPD
C	ECR 6890	10/13/00 JMC	10/13/00 JFD



NOTES:

- MATERIALS:  
SHELLS: COLD ROLLED STEEL PER ASTM A568  
INSULATORS: GLASS FILLED POLYESTER  
P.C.B.: FR-4, .062 THICK  
CLINCH NUTS: BRASS PER ASTM B16  
FOR POWER CONTACT SPECIFICATIONS SEE CONTACT SALES DRAWING
- FINISH:  
SHELLS AND CLINCH NUTS: TIN PLATED PER ASTM B545  
INSULATOR: GREEN  
FOR POWER CONTACT SPECIFICATIONS SEE CONTACT SALES DRAWING
- POWER CONTACTS FILTERED WITH A 10 NF CAPACITIVE ELEMENT.
- UNDERWRITER'S LABORATORIES INC. AUTHORIZATION: RECOGNIZED, FILE E31650  
25 AMP, 48V VDC, WIRE RANGE 12-14 AWG.

PER ASME Y14.5M-1994 UNLESS OTHERWISE SPECIFIED: DIMENSIONS ARE IN INCHES (MM)				<b>Litton</b> <b>Winchester/Retconn</b> 400 Park Road WaterTown, Connecticut 06795	
TOLERANCES: DECIMALS .XX ± .01/0.254 XXX ± .005/0.127 ANGLES ± 2° SCALE: 1:1					
<b>CUSTOMER DRAWING</b>				TITLE 3W3P D-SUB HOUSING WITH FILTERED POWER CONTACTS	
DRAWN KJT	DATE 06/02/00	CHECKED JH	DATE 06/06/00	A   RM3W3P-1023	
APPROVED JMC	DATE 06/06/00	APPROVED JFD	DATE 06/16/00	SHT. 1	OF 1