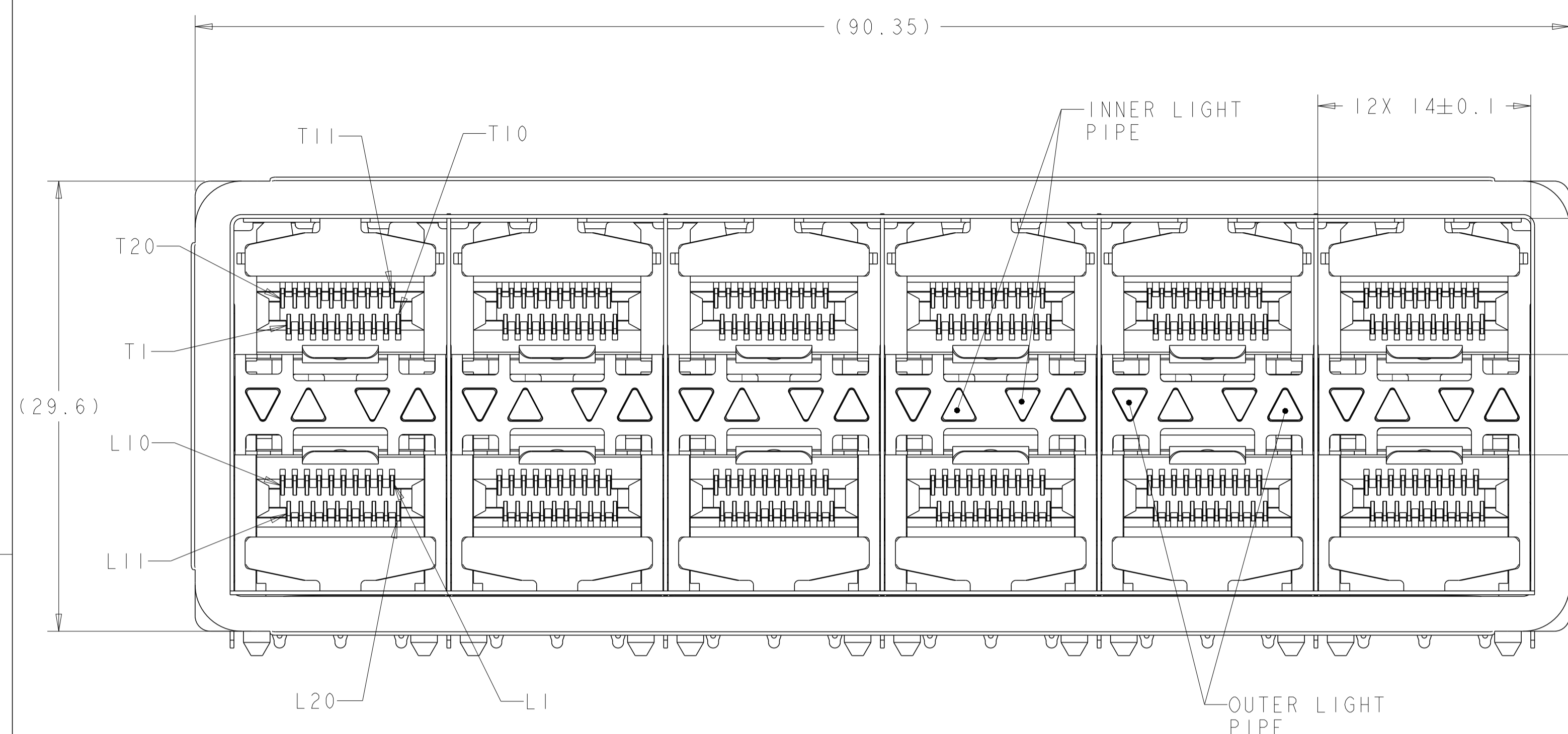
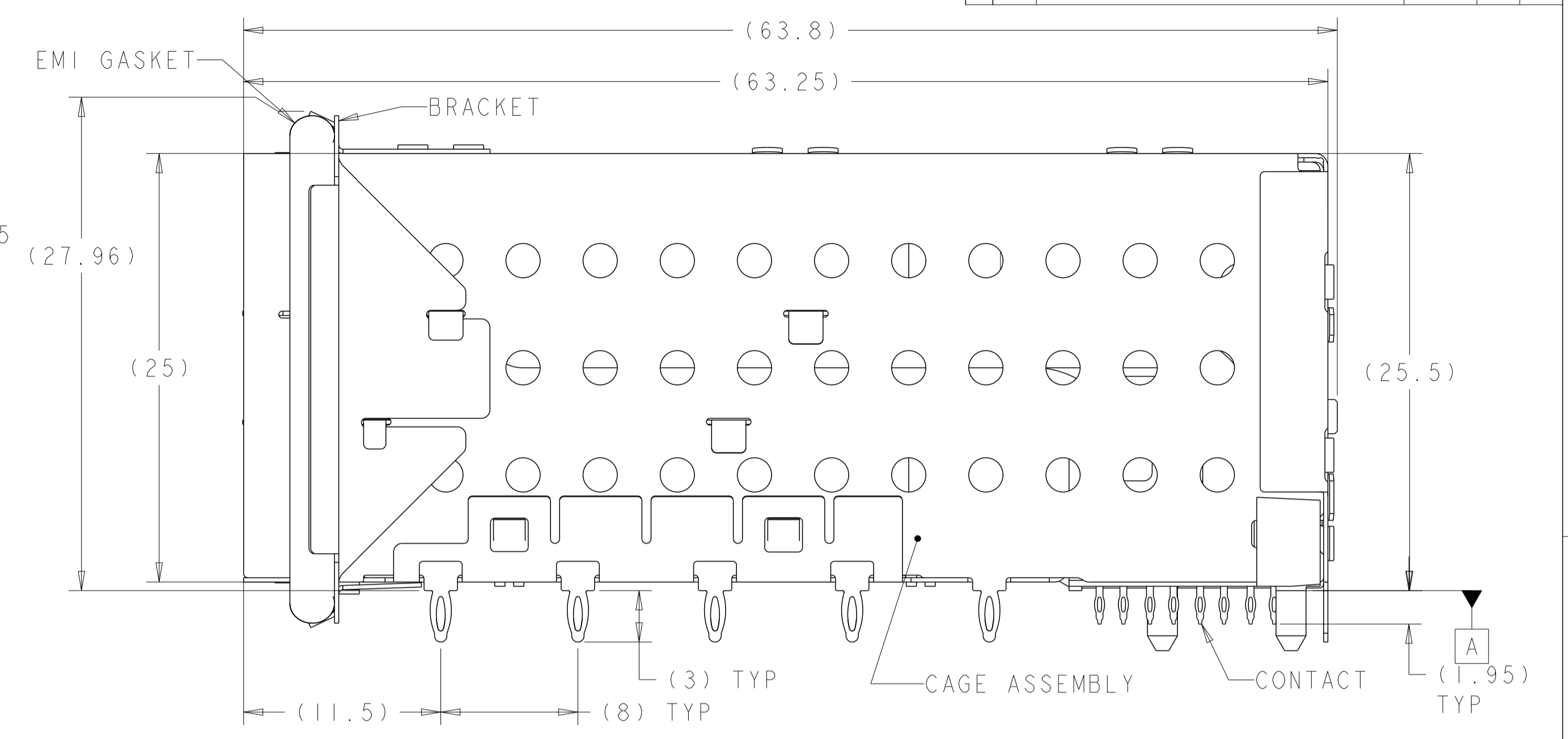
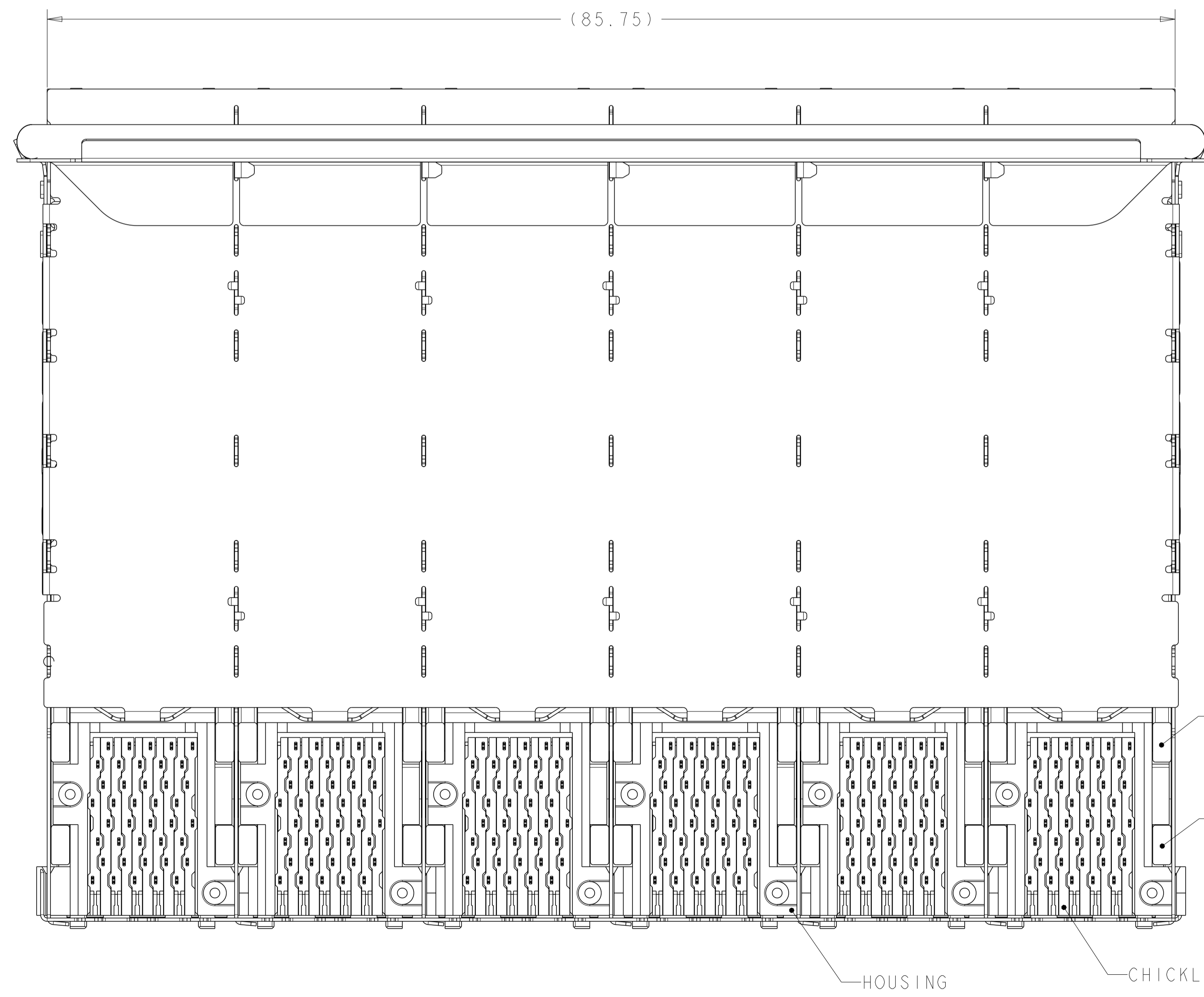


REVISIONS				
P	LTN	DESCRIPTION	DATE	OWN APVD
D		REVISED PER ECO-15-017922	01APR2016	AP RP



2007567-5 AS SHOWN



- 1 MATERIALS:
 CAGE ASSEMBLY- NICKEL SILVER ALLOY PER ASTM B 122.
 BRACKET- STAINLESS STEEL.
 EMI GASKET- PLATED FILLED SILICONE.
 HOUSING- BLACK LCP, UL 94V-0 RATED.
 CHICKLET- BLACK LCP, UL 94V-0 RATED.
 LIGHT PIPE- POLYCARBONATE, CLEAR.
 INSERT - (FOR LIGHT PIPE PART NUMBERS ONLY) - LCP, BLACK, UL 94V-0.
 CONTACT- COPPER ALLOY.
- 2 DATUM AND BASIC DIMENSIONS ESTABLISHED BY CUSTOMER.
- 3. MINIMUM PCB THICKNESS OF 1.5.
- 4 CONTACT FINISH- CONFORMS TO THE REQUIREMENTS OF TYCO ELECTRONICS PRODUCT SPECIFICATION 108-2331, BASED ON EIA/ECA-364-1000.01A, (CONTROLLED ENVIRONMENT APPLICATIONS) ON MATING INTERFACE, TIN-LEAD ON NEEDLE EYE.
- 5 CONTACT FINISH- CONFORMS TO THE REQUIREMENTS OF TYCO ELECTRONICS PRODUCT SPECIFICATION 108-2331, BASED ON EIA/ECA-364-1000.01A, (CONTROLLED ENVIRONMENT APPLICATIONS) ON MATING INTERFACE, TIN ON NEEDLE EYE.
- 6 FOR HOLE SIZE AND PLATINGS, SEE APPLICATION SPEC 114-13219.
- 7 THE ENTIRE AREA OF THE CONNECTOR FOOTPRINT, INDICATED BY THE DASHED LINE, TO BE CONSIDERED THE KEEPOUT AREA FOR COMPONENTS AND SIGNAL TRACES, TOP SIDE ONLY. TOP SIDE TRACES ALLOWED WITHIN CONNECTOR HOLE PATTERN.
- 8 LIGHT PIPE PAD LAYOUT IS FOR 0805 LOW PROFILE LED PACKAGE WITH A HEIGHT OF 0.8mm.
- 9 ADDITIONAL COMPONENT LOCATED WITHIN LATCHPLATE FOR EMI SUPPRESSION

ENHANCED EMI	FINISH	DESCRIPTION	PART NUMBER
YES 9	5	NO LIGHT PIPES	1-2007567-8
		OUTER 2 LIGHT PIPES	1-2007567-7
		INNER 2 LIGHT PIPES	1-2007567-6
NO	5	4 LIGHT PIPES	1-2007567-5
		NO LIGHT PIPES	2007567-8
		OUTER 2 LIGHT PIPES	2007567-7
SUPERSEDED	NO	INNER 2 LIGHT PIPES	2007567-6
		4 LIGHT PIPES	2007567-5
		NO LIGHT PIPES	2007567-4
		OUTER 2 LIGHT PIPES	2007567-3
		INNER 2 LIGHT PIPES	2007567-2
		4 LIGHT PIPES	2007567-1

THIS DRAWING IS A CONTROLLED DOCUMENT.

OWN: M. SHIRK 18JAN2008
 CHK: D. SZCZESNY 18JAN2008
 APVD: D. SZCZESNY 18JAN2008

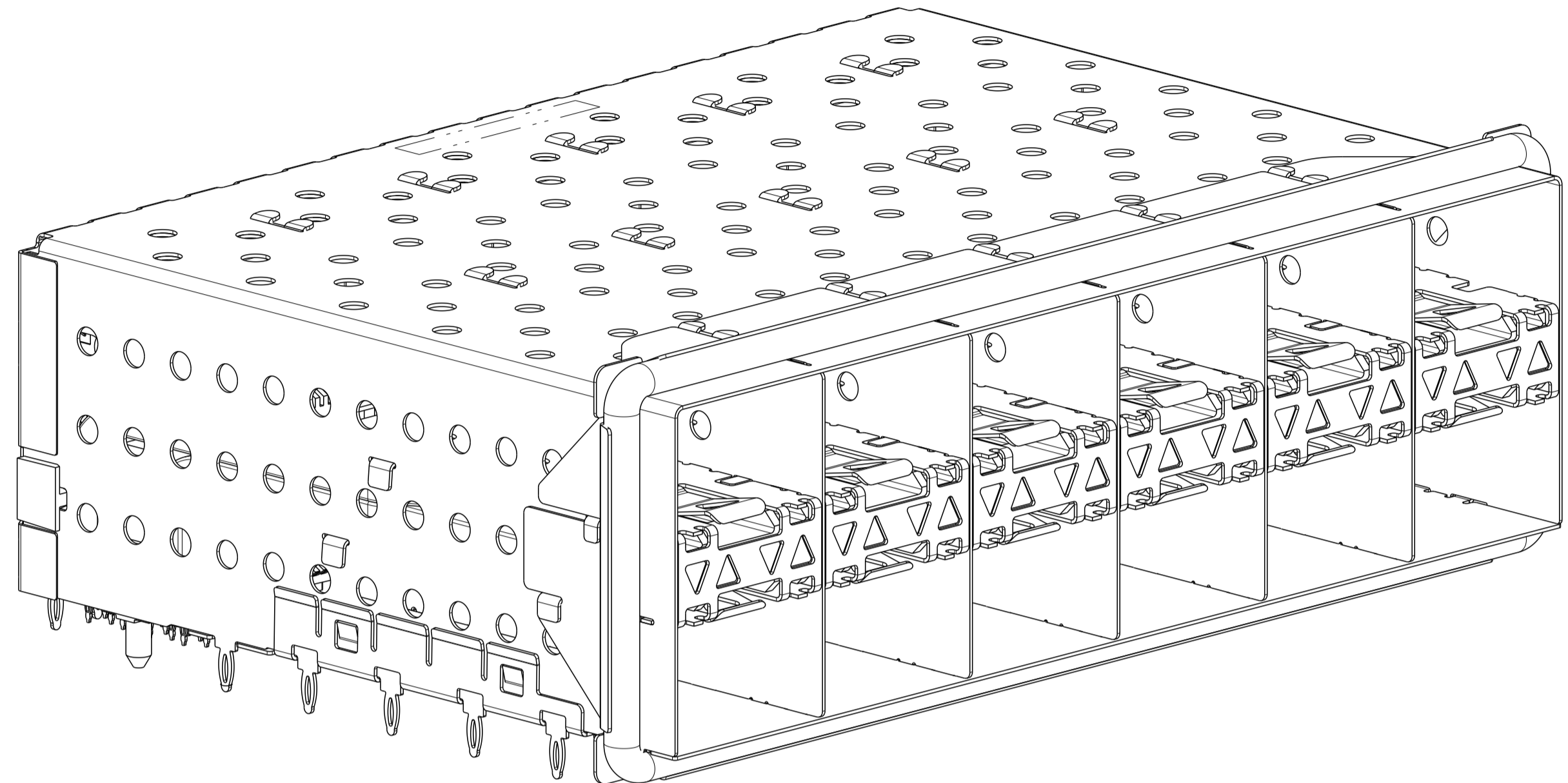
DIMENSIONS: mm
 TOLERANCES UNLESS OTHERWISE SPECIFIED:
 0 PLC ±0.10
 1 PLC ±0.10
 2 PLC ±0.10
 3 PLC ±0.10
 4 PLC ±0.10
 ANGLES ±°

MATERIAL: 1
 FINISH: 4 5

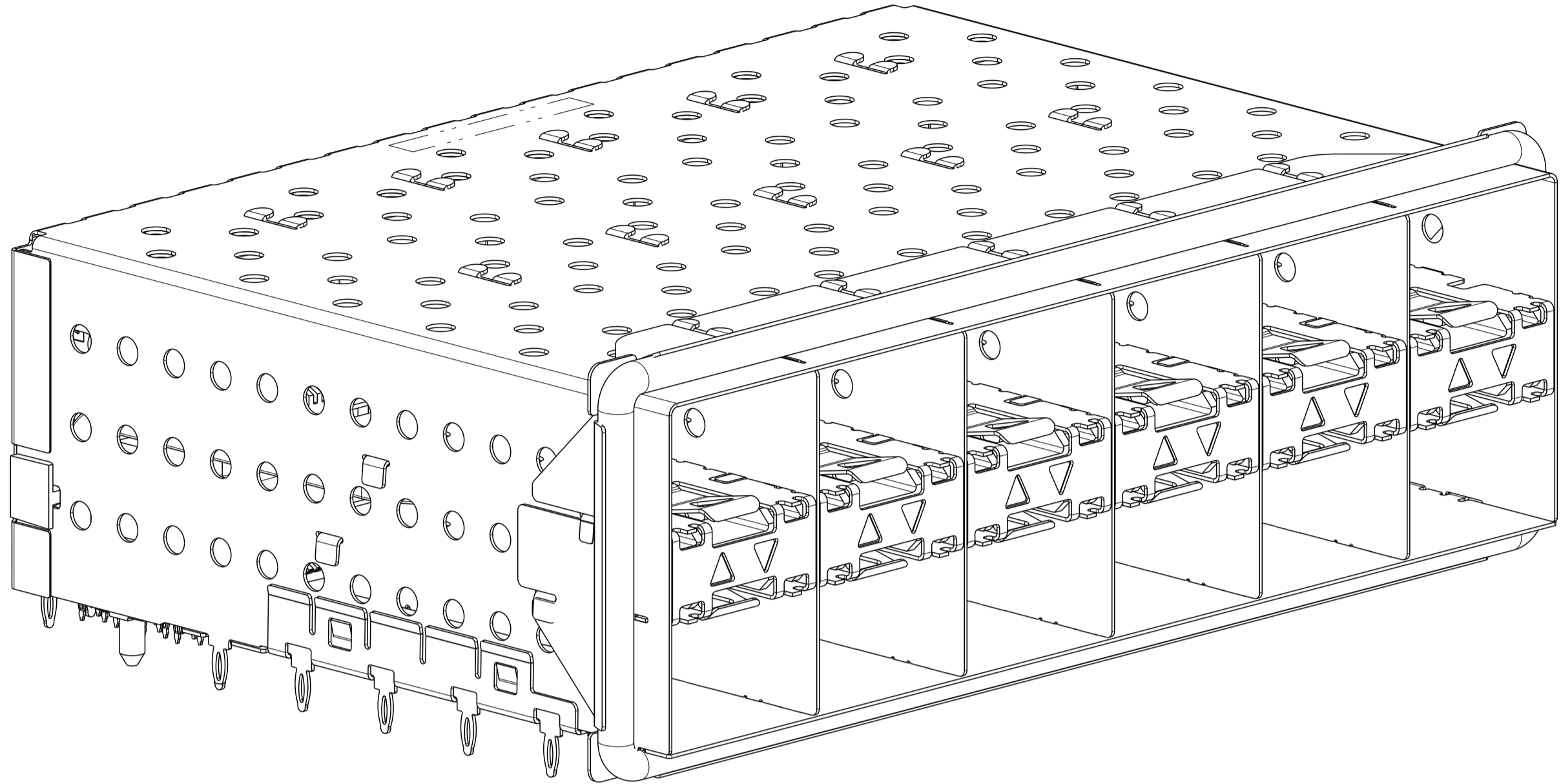
NAME: CAGE AND PT CONNECTOR ASSEMBLY, WITH EMI GASKET, PRESS FIT, 2X6, STACKED SFP+
 PRODUCT SPEC: 108-2331
 APPLICATION SPEC: 114-13219
 WEIGHT: -
 CUSTOMER DRAWING

SCALE: 4:1 SHEET 1 OF 4 REV D

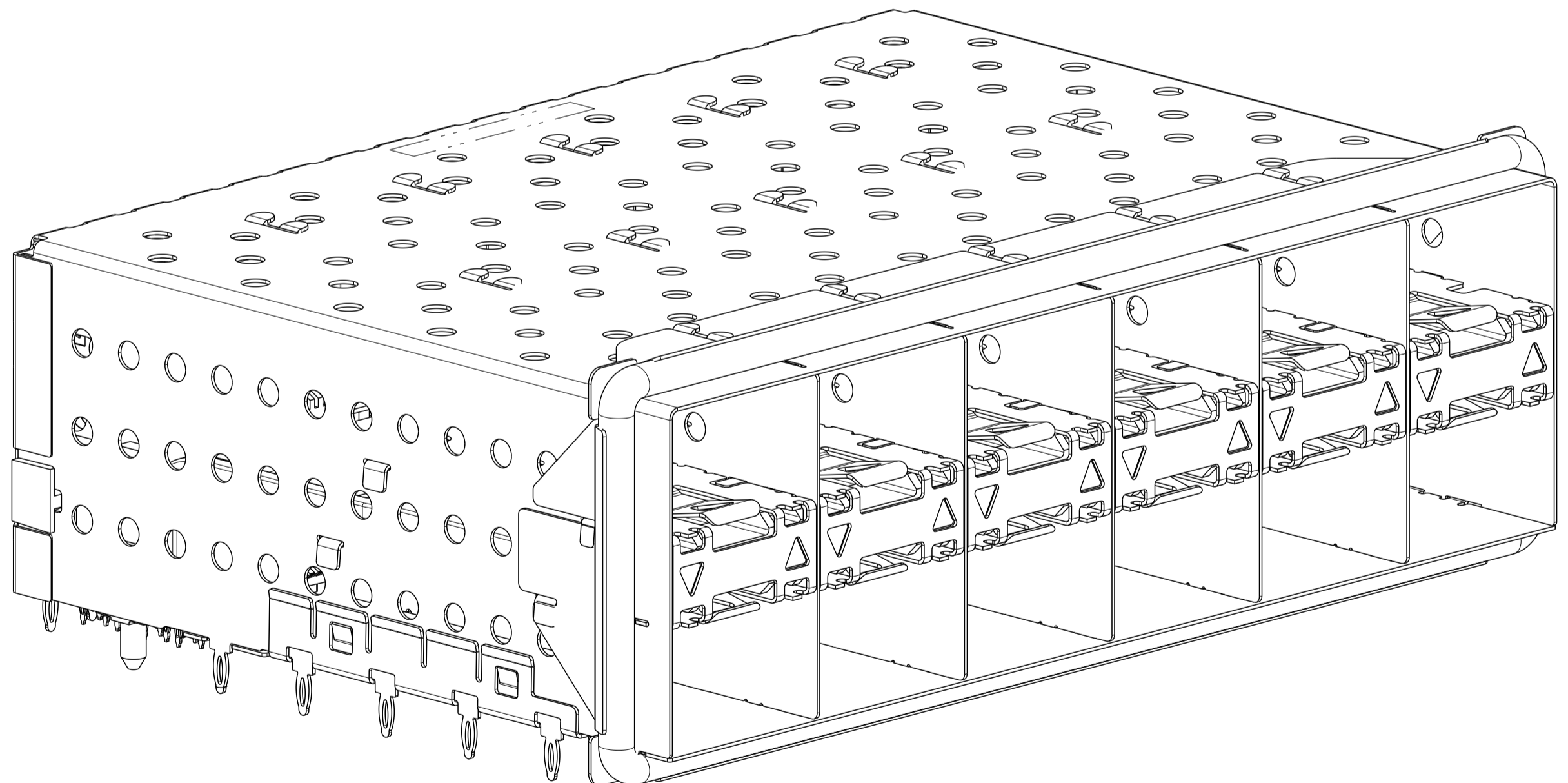
REVISIONS				
P	LTN	DESCRIPTION	DATE	APVD
-	-	SEE SHEET 1	-	-



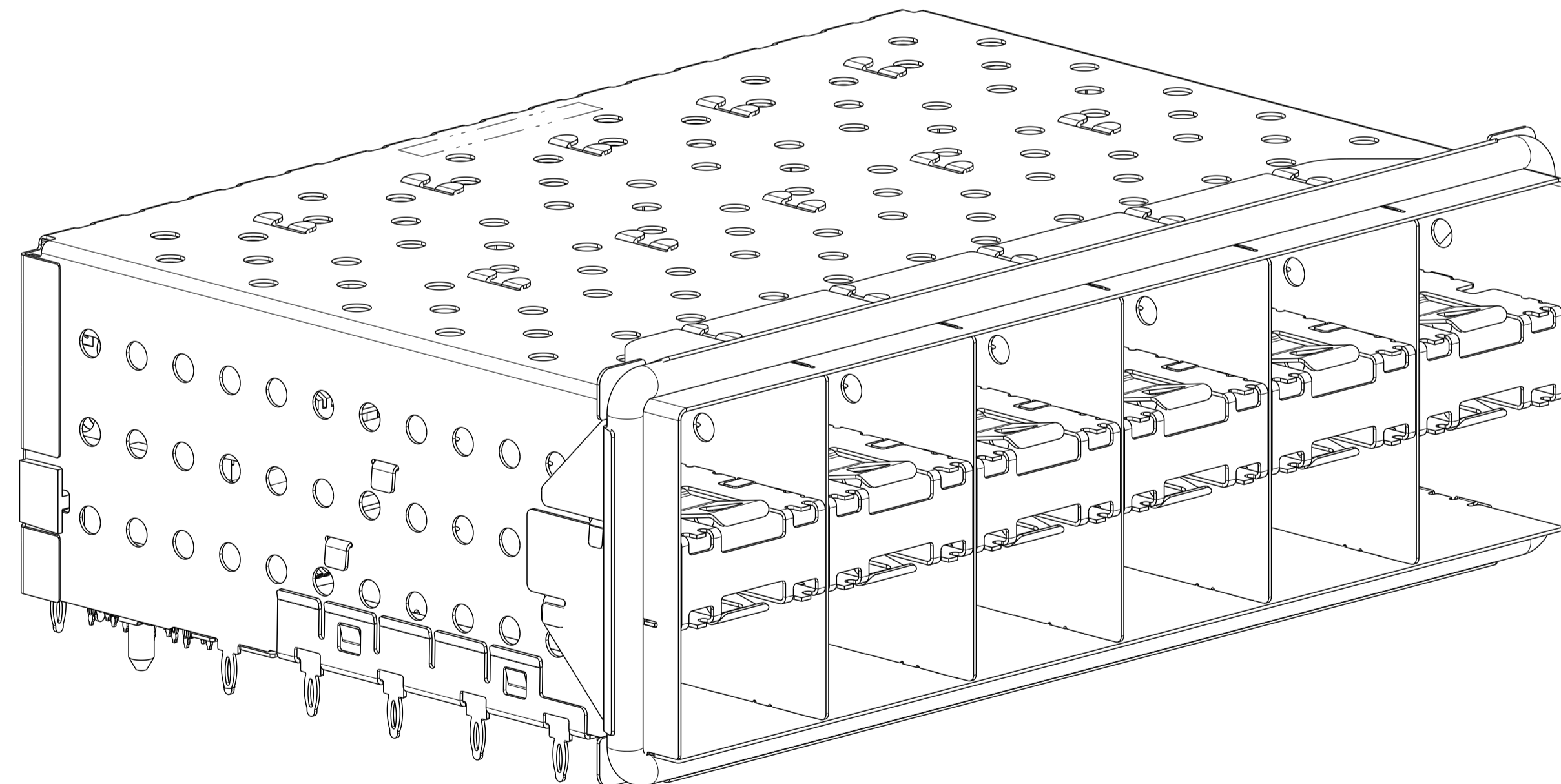
2007567-5 AND 1-2007567-5
 SCALE 3:1



2007567-6 AND 1-2007567-6
 SCALE 3:1



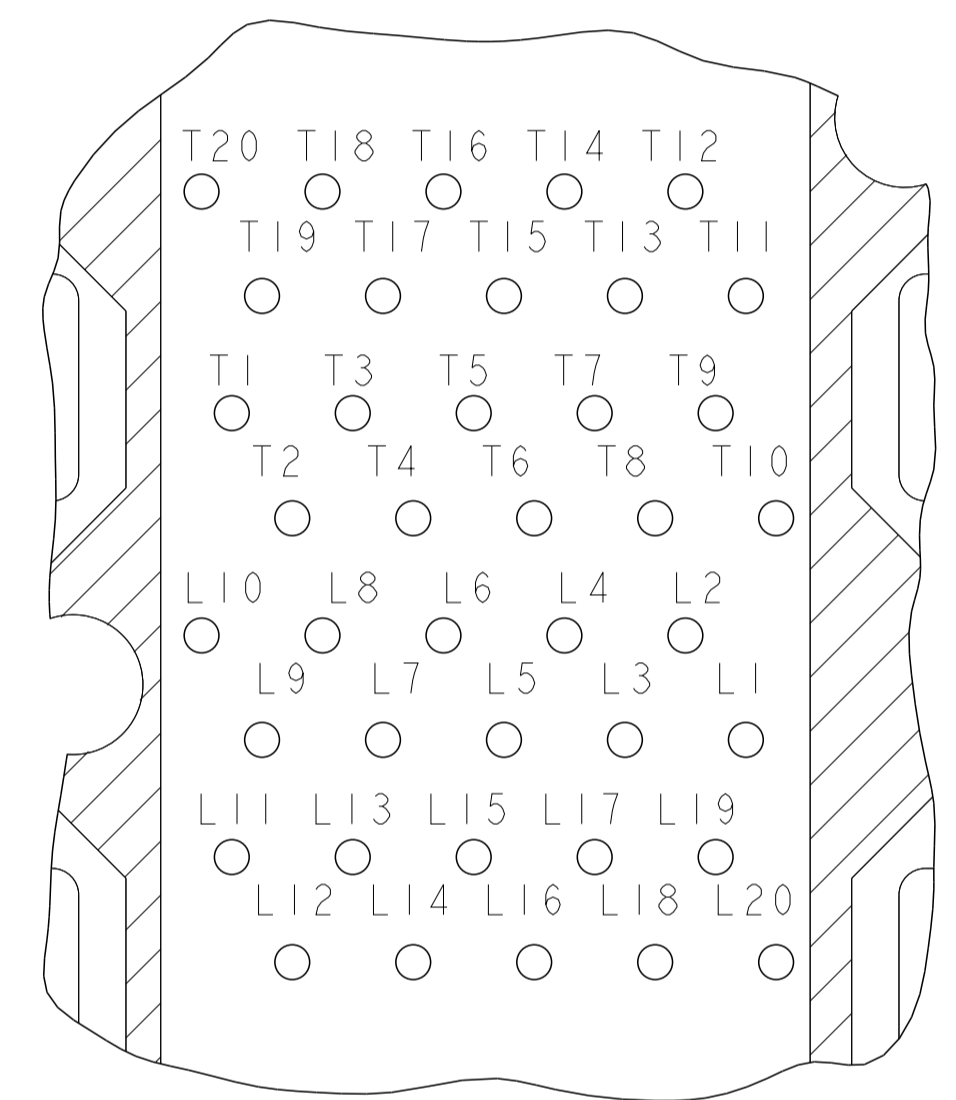
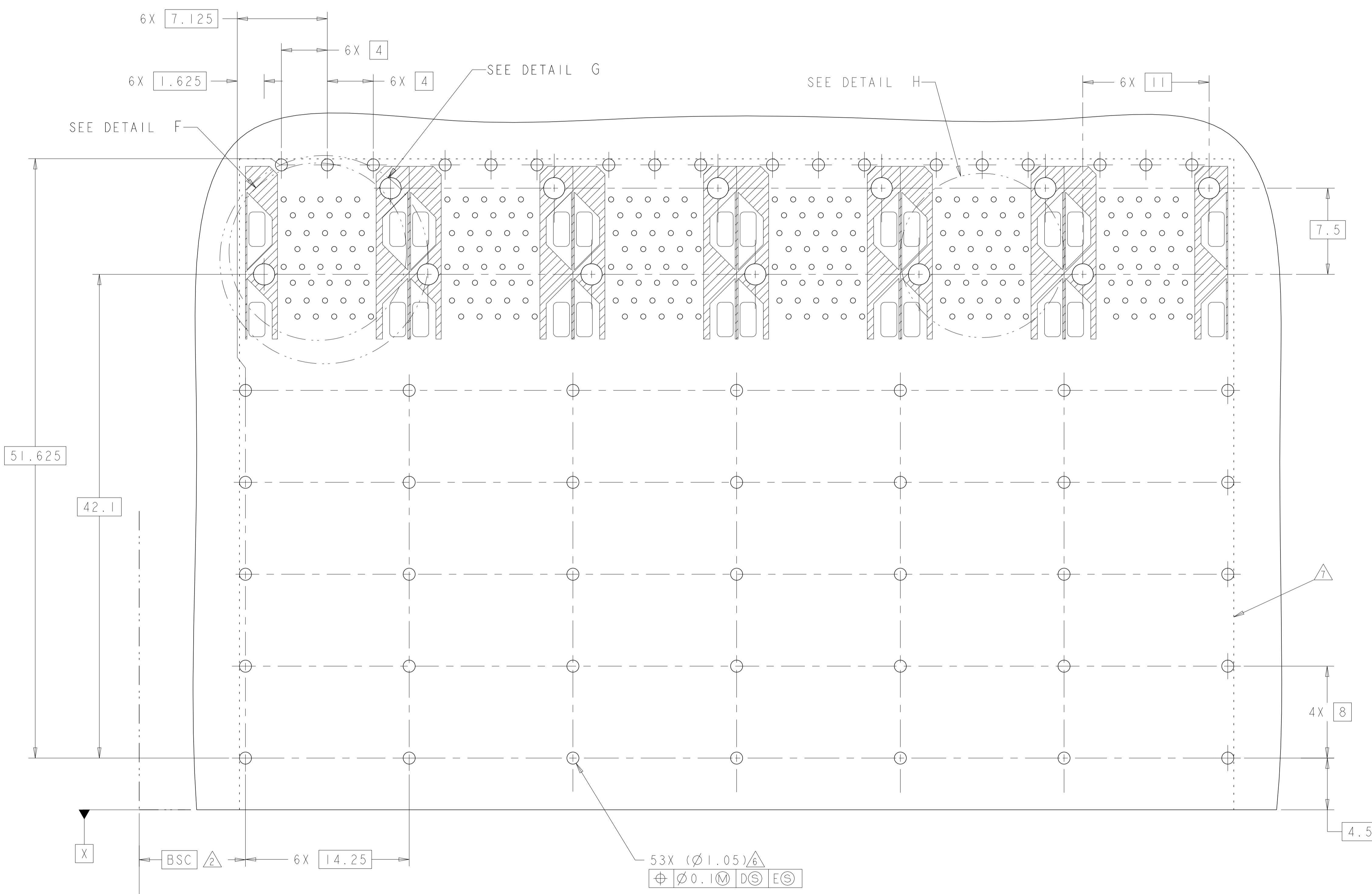
2007567-7 AND 1-2007567-7
 SCALE 3:1



2007567-8 AND 1-2007567-8
 SCALE 3:1

THIS DRAWING IS A CONTROLLED DOCUMENT.		OWN: M. SHIRK 18JAN2008	TE Connectivity NAME: CAGE AND PT CONNECTOR ASSEMBLY, WITH EMI GASKET, PRESS FIT, 2X6, STACKED SFP+
DIMENSIONS:		CHK: D. SZCZESNY 18JAN2008	
TOLERANCES UNLESS OTHERWISE SPECIFIED:		APVD: D. SZCZESNY 18JAN2008	
mm		PRODUCT SPEC: 108-2331	
0 PLC	±0.10	APPLICATION SPEC: 114-13219	RESTRICTED TO:
1 PLC	±0.10	SIZE: CAGE CODE DRAWING NO: A100779C=2007567	SCALE: 4:1 SHEET 2 OF 4 REV D
2 PLC	±0.10	WEIGHT: -	
3 PLC	±0.10		
4 PLC	±0.10		
ANGLES	±°		
MATERIAL:	FINISH:		
		CUSTOMER DRAWING	

REVISIONS				
P.	LTN.	DESCRIPTION	DATE	APVD.
-	-	SEE SHEET 1	-	-

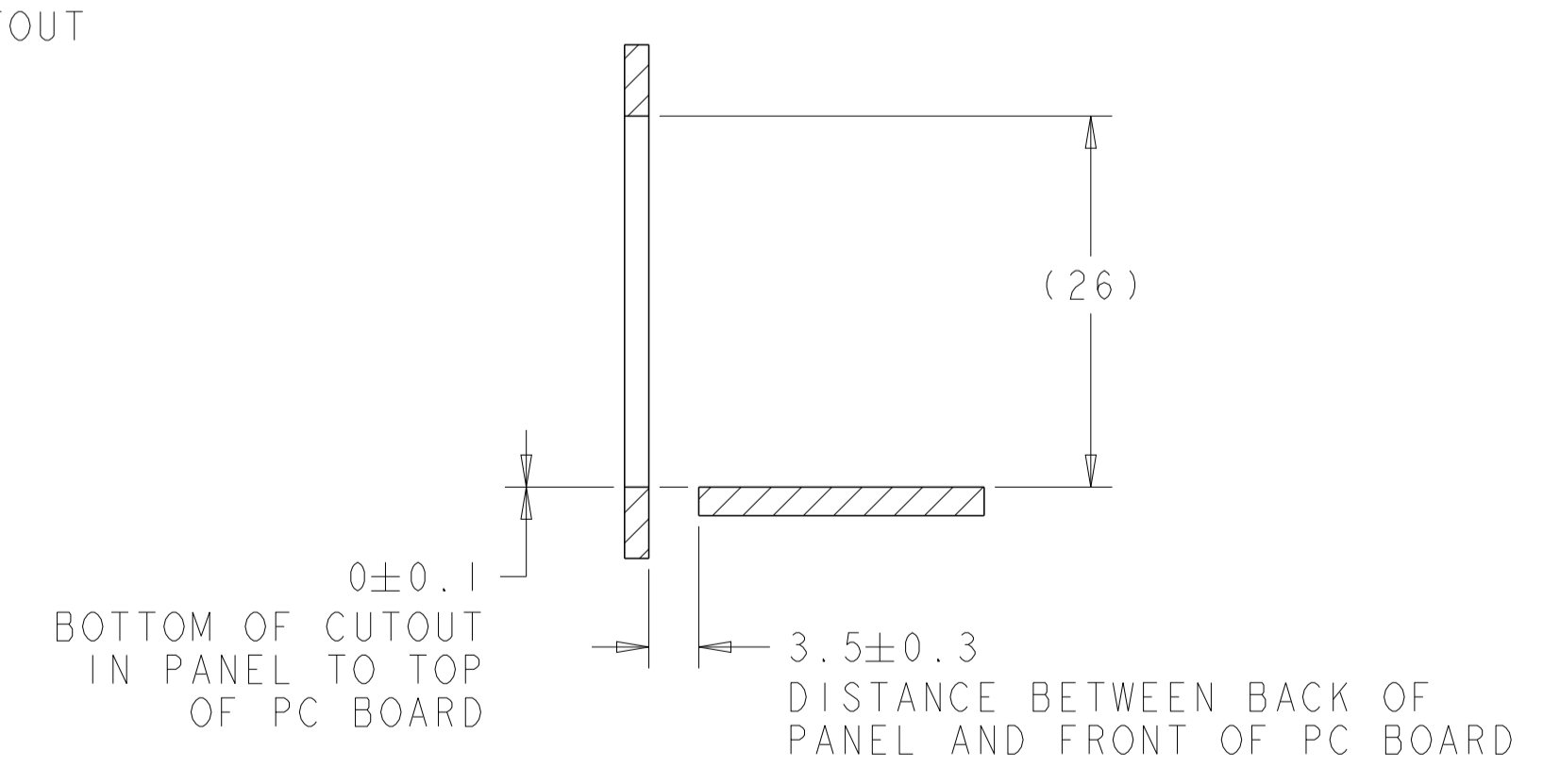
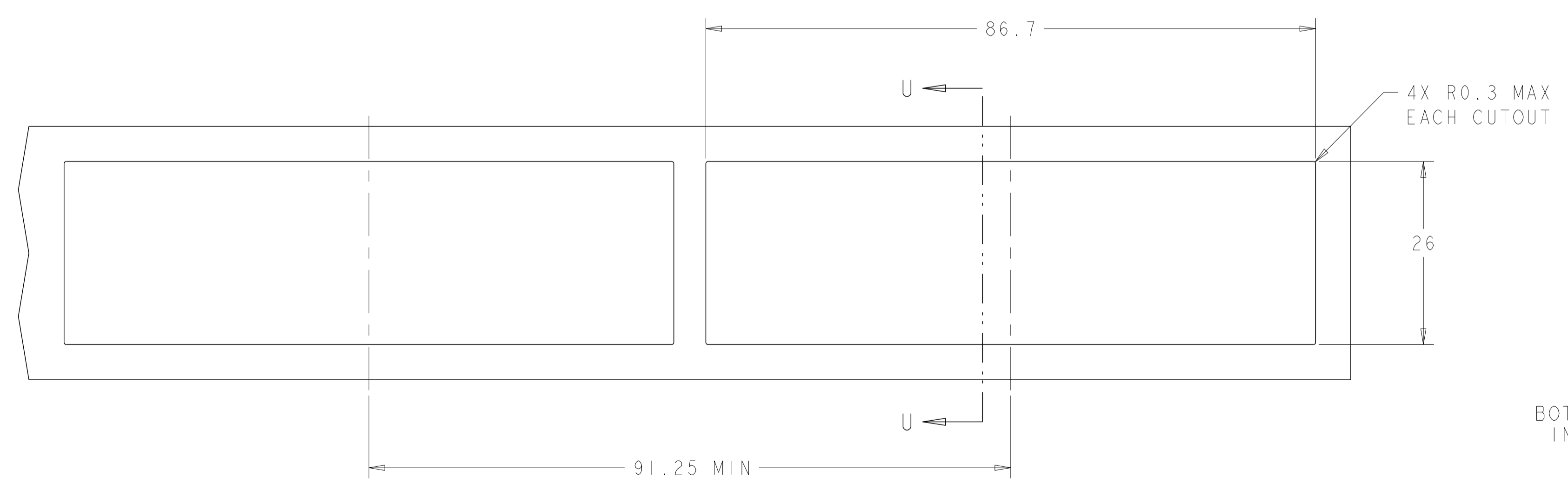
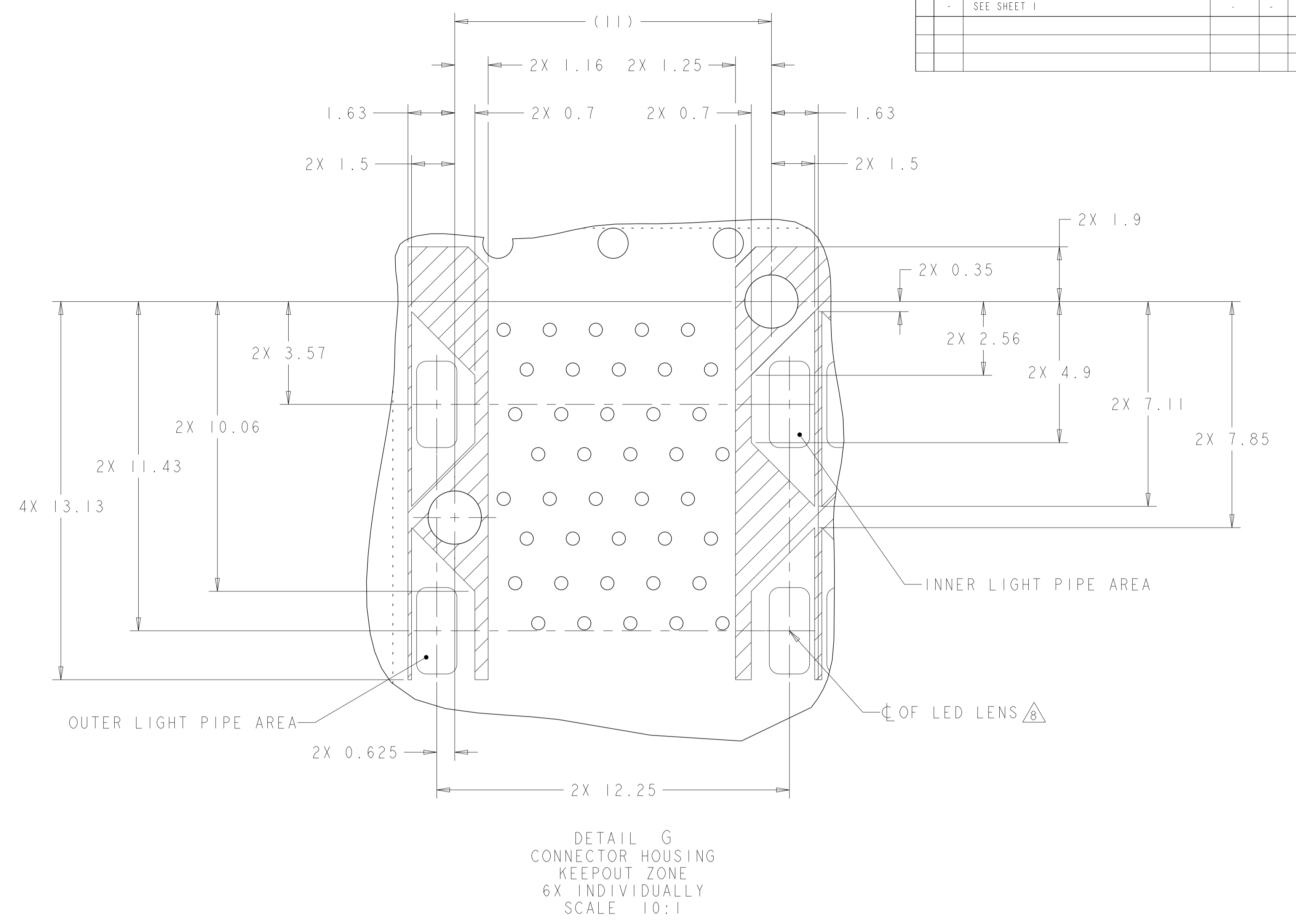
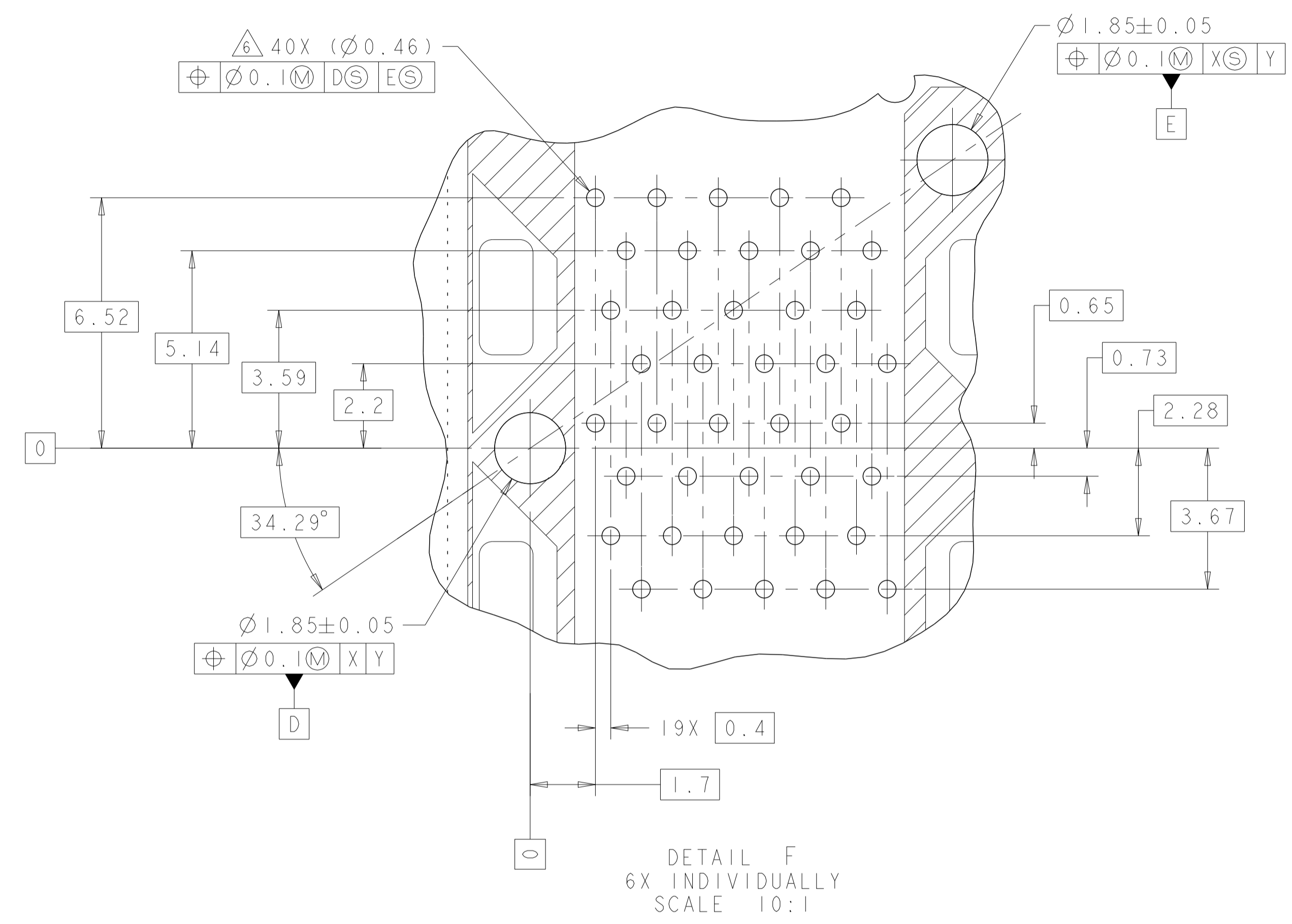


DETAIL H
 CONNECTOR PIN-OUT
 COMPONENT SIDE OF BOARD
 6X INDIVIDUALLY
 SCALE 10:1

RECOMMENDED PCB LAYOUT
 COMPONENT SIDE OF BOARD
 SCALE 5:1

THIS DRAWING IS A CONTROLLED DOCUMENT.		OWN M. SHIRK 18JAN2008	TE Connectivity NAME CAGE AND PT CONNECTOR ASSEMBLY, WITH EMI GASKET, PRESS FIT, 2X6, STACKED SFP+
DIMENSIONS:		CHK D. SZCZESNY 18JAN2008	
mm		APVD D. SZCZESNY 18JAN2008	
0 PLC ±0.10 2 PLC ±0.10 3 PLC ±0.10 4 PLC ±0.10 ANGLES ±°		PRODUCT SPEC 108-2331 APPLICATION SPEC 114-13219 WEIGHT -	
MATERIAL		FINISH	SIZE A100779C=2007567 CUSTOMER DRAWING SCALE 4:1 SHEET 3 OF 4 REV D

REVISIONS				
P.	LTN.	DESCRIPTION	DATE	APVD.
-	-	SEE SHEET 1	-	-



THIS DRAWING IS A CONTROLLED DOCUMENT.		OWN: M. SHIRK 18JAN2008	TE Connectivity
DIMENSIONS: mm		CHK: D. SZCZESNY 18JAN2008	
TOLERANCES UNLESS OTHERWISE SPECIFIED:		APVD: D. SZCZESNY 18JAN2008	NAME: CAGE AND PT CONNECTOR ASSEMBLY, WITH EMI GASKET, PRESS FIT, 2X6, STACKED SFP+
0 PLC ±0.10	1 PLC ±0.10	PRODUCT SPEC: 108-2331	SIZE: 114-13219
2 PLC ±0.10	3 PLC ±0.10	APPLICATION SPEC: 114-13219	WEIGHT: -
4 PLC ±0.10	ANGLES ±°	MATERIAL FINISH: -	CUSTOMER DRAWING
SCALE: 4:1		SHEET 4 OF 4 REV D	