

**PLEASE CHECK WWW.MOLEX.COM FOR LATEST PART INFORMATION**

**Part Number:** [5601250301](#)  
**Status:** **Active**  
**Overview:** [DuraClik™ Connector System](#)  
**Description:** DuraClik ISL Wire-to-Board Terminal Position Assurance (TPA) Retainer, 3 Circuits, Black

**Documents:**

<a href="#">3D Model</a>	<a href="#">Packaging Specification 5601250900-PK (PDF)</a>
<a href="#">Drawing (PDF)</a>	<a href="#">Packaging Specification PK-560125-001-002 (PDF)</a>
<a href="#">Application Specification AS-560123-001-001 (PDF)</a>	<a href="#">RoHS Certificate of Compliance (PDF)</a>

**General**

Product Family	Accessories
Series	<a href="#">560125</a>
Component Type	Terminal Position Assurance
Overview	<a href="#">DuraClik™ Connector System</a>
Product Name	DuraClik
UPC	889056009560

**Physical**

Circuits (Loaded)	3
Circuits (maximum)	3
Color - Resin	Black
Lock to Mating Part	Yes
Material - Resin	PBT
Net Weight	0.053/g
Number of Rows	1
Packaging Type	Bag
Polarized to Mating Part	Yes
Temperature Range - Operating	-40°C to +125°C

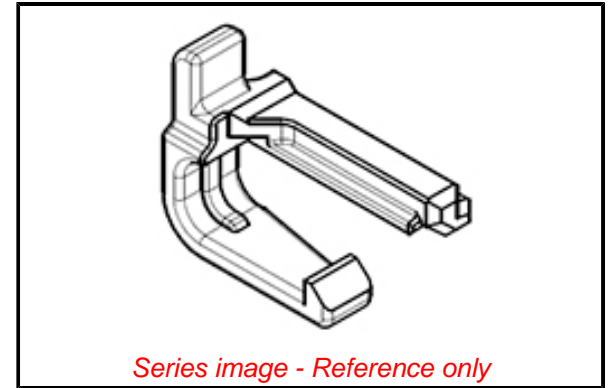
**Solder Process Data**

Lead-freeProcess Capability	N/A
-----------------------------	-----

**Material Info**

**Reference - Drawing Numbers**

Application Specification	AS-560123-001-001
Packaging Specification	5601250900-_PK, PK-560125-001-002
Sales Drawing	SD-560125-003



**EU ELV**

**Compliant**

**EU RoHS**

**Compliant**

**REACH SVHC**

Not Contained Per -  
ED/30/2017 (7 July  
2017)

**Halogen-Free**

**Status**

**Not Low-Halogen**

**Need more information on product environmental compliance?**

Email [productcompliance@molex.com](mailto:productcompliance@molex.com)  
Please visit the [Contact Us](#) section for any non-product compliance questions.

China ROHS	Not Relevant
ELV	Compliant
RoHS Phthalates	Not Contained

**Search Parts in this Series**

[560125](#) Series

**Use With**

DuraClik ISL Terminal Housing [560123](#)