

PLEASE CHECK WWW.MOLEX.COM FOR LATEST PART INFORMATION

Part Number: [0760455003](#)
Status: **Active**
Overview: [sfp_stacked_multiport_connectors](#)
Description: Small Form-factor Pluggable Plus (SFP+) Stacked 2-by-2 Multi-Port Connector with 2 Outer Lightpipe Ports, EMI Metal Gasket, 80 Circuits, Tin (Sn) Tails

Documents:

[3D Model](#) [Product Specification PS-75310-001 \(PDF\)](#)
[Drawing \(PDF\)](#) [RoHS Certificate of Compliance \(PDF\)](#)
[Application Specification \(PDF\)](#)

Agency Certification

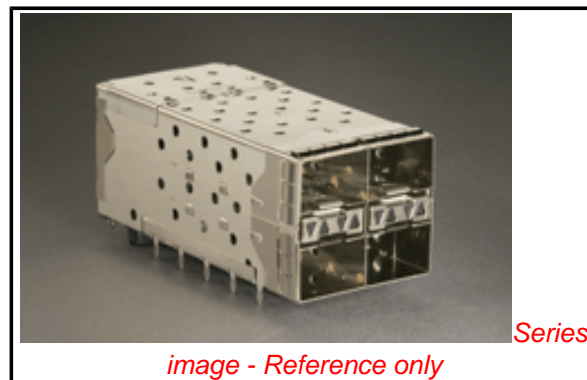
CSA LR19980
 UL E29179

General

Product Family I/O Connectors
 Series [76045](#)
 Application Module-to-Board
 Component Type Receptacle
 Overview [sfp_stacked_multiport_connectors](#)
 Product Name SFP Plus
 Type N/A

Physical

Boot Color N/A
 Circuits (Loaded) 80
 Circuits (maximum) 80
 Circuits Detail 80
 Color - Resin Black, Clear (Blue Tint)
 Durability (mating cycles max) 100
 Flammability 94V-0
 Gender Female
 Keying to Mating Part None
 Lock to Mating Part Yes
 Material - Metal High Performance Alloy (HPA)
 Material - Plating Mating Gold
 Material - Plating Termination Tin
 Material - Resin High Temperature Thermoplastic, Polycarbonate
 Number of Rows 2
 Orientation Right Angle
 PC Tail Length (in) 0.081 In
 PC Tail Length (mm) 2.07 mm
 PCB Locator Yes
 PCB Retention Yes
 PCB Thickness Recommended (in) 0.062 In
 PCB Thickness Recommended (mm) 1.57 mm
 Packaging Type Tray
 Panel Mount No
 Pitch - Mating Interface (in) 0.031 In
 Pitch - Mating Interface (mm) 0.80 mm
 Pitch - Term. Interface (in) 0.031 In
 Pitch - Term. Interface (mm) 0.80 mm
 Plating min: Mating (µin) 30.4
 Plating min: Mating (µm) 0.76
 Plating min: Termination (µin) 30.4



EU RoHS
ELV and RoHS
Compliant
REACH SVHC
 Not Reviewed
Halogen-Free
Status
Halogen-Free

China RoHS



Need more information on product environmental compliance?

Email productcompliance@molex.com
 For a multiple part number RoHS Certificate of Compliance, [click here](#)

Please visit the [Contact Us](#) section for any non-product compliance questions.

Search Parts in this Series
[76045Series](#)

Use With
[0759510999 SFP Dust Plug,](#)

Application Tooling | FAQ

Tooling specifications and manuals are found by selecting the products below. Crimp Height Specifications are then contained in the Application Tooling Specification document.

Global

Description	Product #
SFP Stacked Multi-Port Insertion Tool, 2 by 2	0622029970
SFP Stacked Multi-Port Extraction Tool, 2 by 2	0622029975

Plating min: Termination (µm)	0.76
Polarized to Mating Part	Yes
Polarized to PCB	Yes
Surface Mount Compatible (SMC)	No
Temperature Range - Operating	-40°C to +85°C
Termination Interface: Style	Through Hole - Compliant Pin
Waterproof / Dustproof	No

Electrical

Current - Maximum per Contact	0.5A
Grounding to Panel	None
Shield Type	EMI Gasket
Shielded	Yes
Voltage - Maximum	120V AC (RMS)/DC

Material Info

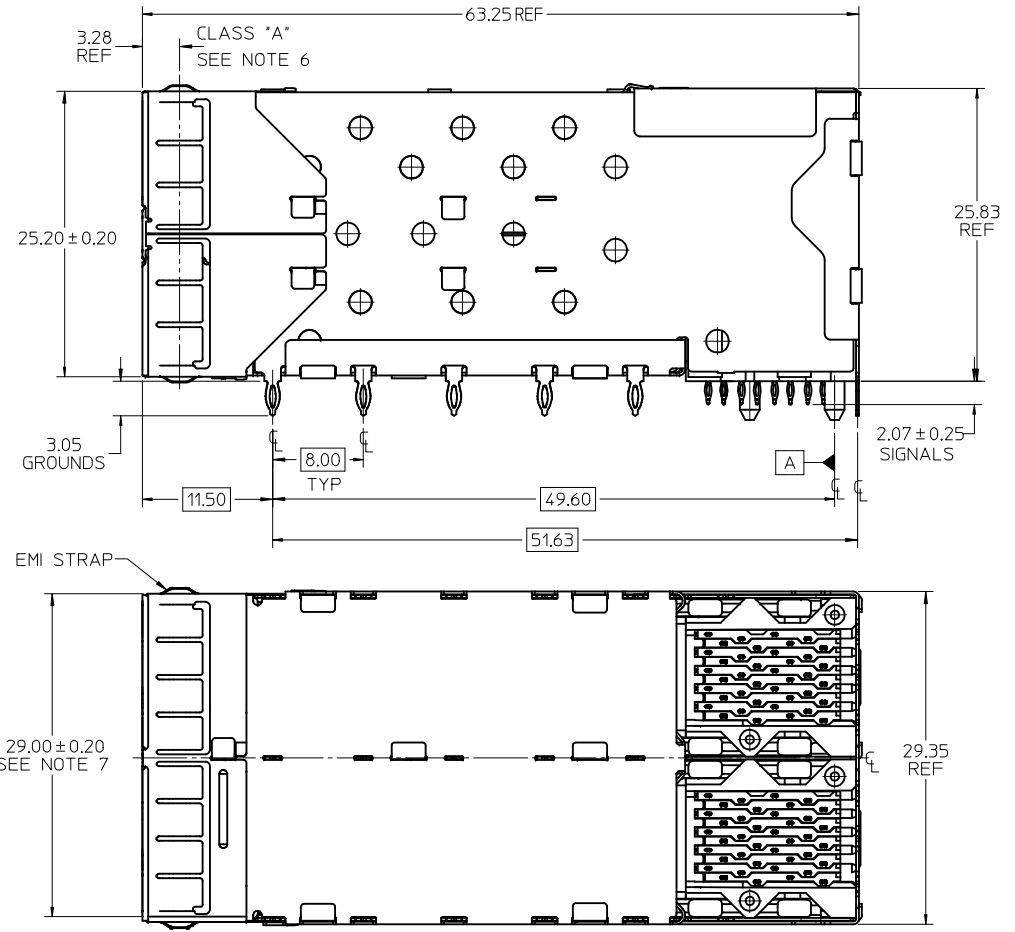
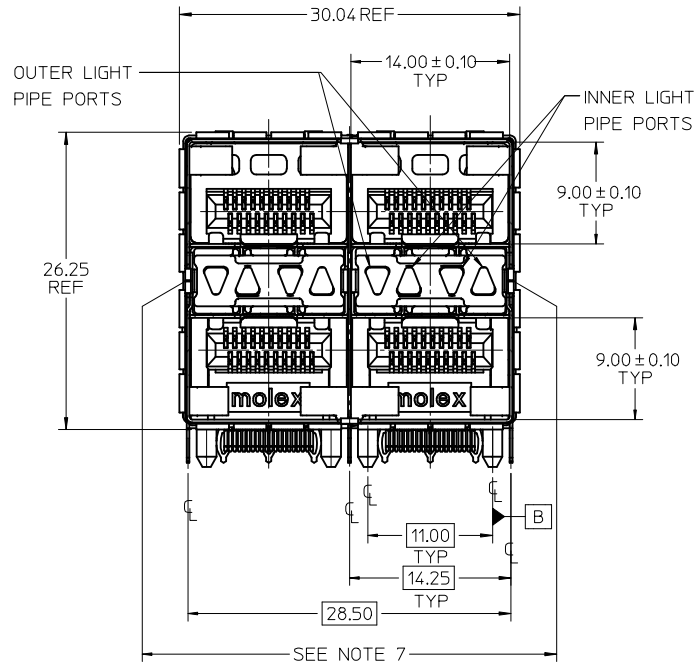
Reference - Drawing Numbers

Application Specification	AS-75310-001
Packaging Specification	PK-75714-001
Product Specification	PS-75310-001
Sales Drawing	SD-76045-001
Test Summary	TS-75310-001

This document was generated on 05/27/2010

PLEASE CHECK WWW.MOLEX.COM FOR LATEST PART INFORMATION

PART NUMBER	DESCRIPTION	VIEW	COMPLIANT TAIL PLATING
760450001	4 LIGHT PORTS	SEE PG 2	TIN / LEAD
760450002	INNER 2 PORTS	SEE PG 2	TIN / LEAD
760450003	OUTER 2 PORTS	SEE PG 2	TIN / LEAD
760455001	4 LIGHT PORTS	SEE PG 2	TIN
760455002	INNER 2 PORTS	SEE PG 2	TIN
760455003	OUTER 2 PORTS	SEE PG 2	TIN

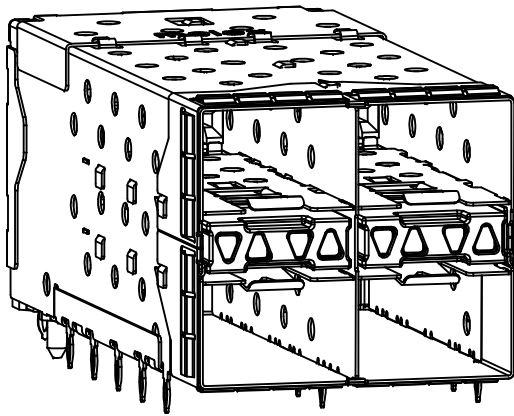


NOTES

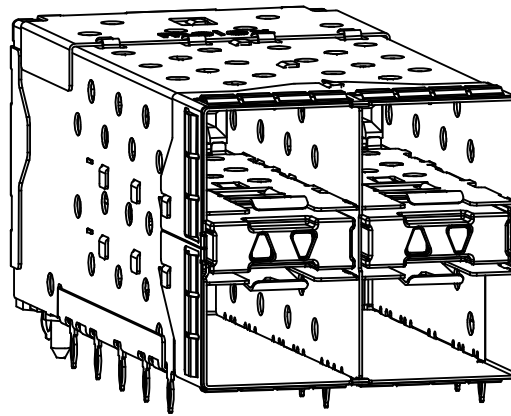
- MATERIAL:
 - CAGE: NICKEL SILVER, THICKNESS: 0.25mm
 - EMI GASKET: PHOS-BRONZE
 - CONNECTOR HOUSING: GLASS FILLED HIGH TEMP PLASTIC, 94 V-0 COLOR BLACK
 - OVERMOLDED TERMINALS HOUSING: GLASS FILLED HIGH TEMP PLASTIC, 94 V-0, COLOR: BLACK
 - TERMINALS: TIN BRASS
 - LIGHT PIPES: POLYCARBONITE, 94 V-0, COLOR: CLEAR
 - LIGHT PIPE HOUSING: ZINC
- FINISH:
 - LIGHT PIPE HOUSING: 150 MICRONS NICKEL OVER 150 MICRONS COPPER
 - TERMINAL: CONTACT AREA: 0.76 MICRONS MIN, HARD GOLD OVER 1.27 MICRONS MIN. NICKEL.
 - COMPLIANT TAIL - TIN/LEAD OPTION: 0.76 - 1.52 MICRONS 90/10 TIN/LEAD OVER 0.76 - 1.52 MICRONS NICKEL
 - COMPLIANT TAIL - TIN OPTION: 0.76 - 1.52 MICRONS TIN OVER 0.76 - 1.52 MICRONS NICKEL
 - EMI GASKET: 2.54 MICRONS NICKEL OVERALL
- REFER TO PS-75310-001 PRODUCT SPEC FOR ALL ELECTRICAL, MECHANICAL, AND ENVIRONMENTAL SPECIFICATIONS.
- LIGHT PIPE PAD LAYOUT IS FOR 0805 LOW-PROFILE LED PACKAGE. FOR OTHER RECOMMENDED LAYOUTS REFER TO MOLEX'S REPORT TS-75310-001.
- REFER TO PK-75714-001 FOR ALL PACKAGING SPECIFICATIONS.
- ALL EXTERIOR SURFACES TO BE CLASS 'B' SURFACE EXCEPT THE UNDER SIDE OF THE CAGE WHERE THE PCB WOULD BE LOCATED AND AS NOTED. THE SURFACES TO CONFORM TO THE MOLEX COSMETIC DOC PS-45499-002.
- THE OVERALL CAGE WIDTH AT THE VERTICAL CENTER OF THE FRONT EDGE WILL FALL WITHIN THIS DIMENSION: 29.30+/-0.30 MM. THIS PORTION OF THE CAGE WILL FLEX INWARD AS THE CAGE IS BEING INSERTED INTO THE BEZEL OPENING.

ADD NOTE 7/KEEPOUTS EC NO: UCP2009-1582 DRWN:MSI BARRA 2009/01/07 CHKD:BBARKER 2009/01/09 APPR:SMILLER 2009/01/12	QUALITY SYMBOLS ▽=0 ▽=0	GENERAL TOLERANCES (UNLESS SPECIFIED)		DIMENSION STYLE MM ONLY	SCALE 3:1	DESIGN UNITS METRIC	THIRD ANGLE PROJECTION		
		4 PLACES ± --- ± --- 3 PLACES ± --- ± --- 2 PLACES ± 0.13 ± --- 1 PLACE ± 0.25 ± ---	mm INCH --- --- --- --- --- --- --- ---	DRAWN BY MSANDBERG	DATE 10-16-06	TITLE STACKED SFP+ 2X2 ASS'Y WITH METAL EMI GASKET AND LIGHTPIPES			
		ANGULAR ± 5 °		CHECKED BY JLONG	DATE 10-16-06	MOLEX INCORPORATED			
		DRAFT WHERE APPLICABLE MUST REMAIN WITHIN DIMENSIONS		APPROVED BY RNELSON	DATE 10-16-06	MATERIAL NO. SEE CHART		DOCUMENT NO. SD-76045-001	SHEET NO. 1 OF 4

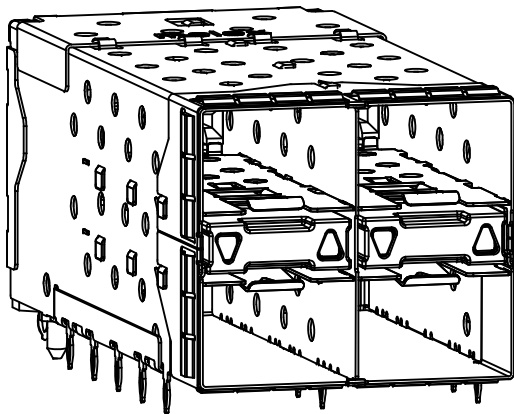
THIS DRAWING CONTAINS INFORMATION THAT IS PROPRIETARY TO MOLEX INCORPORATED AND SHOULD NOT BE USED WITHOUT WRITTEN PERMISSION



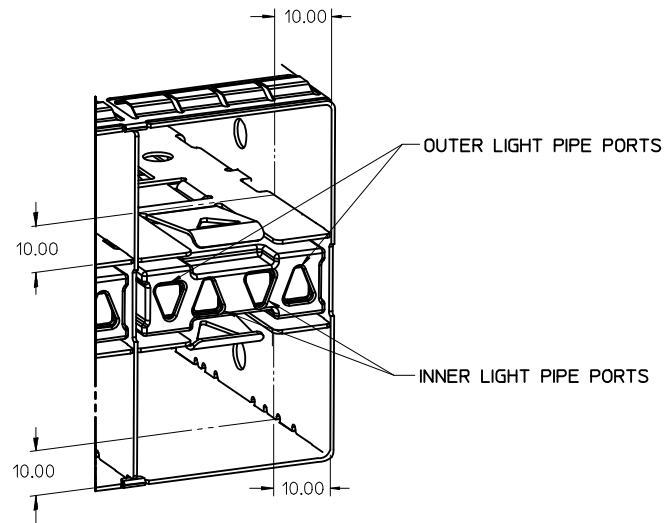
760450001 AND 760455001
WITH INNER AND OUTER LIGHT PIPES



760450002 AND 760455002
WITH INNER LIGHT PIPES

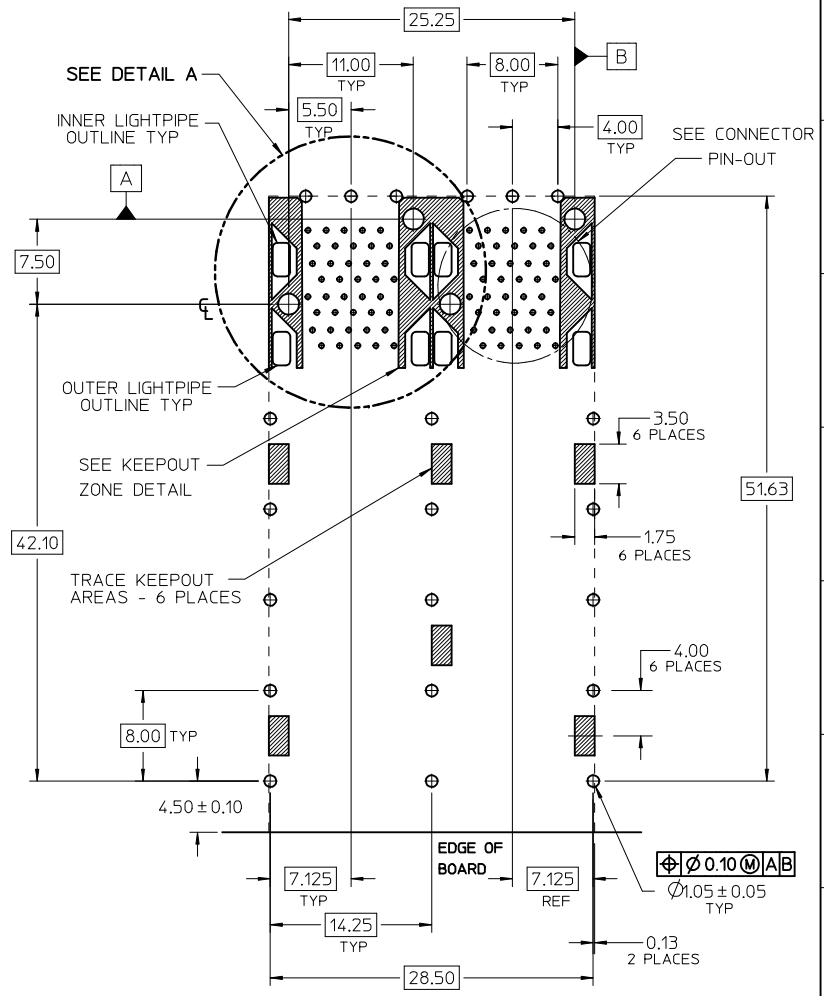
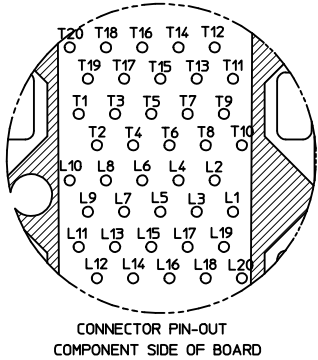


760450003 AND 760455003
WITH OUTER LIGHT PIPES



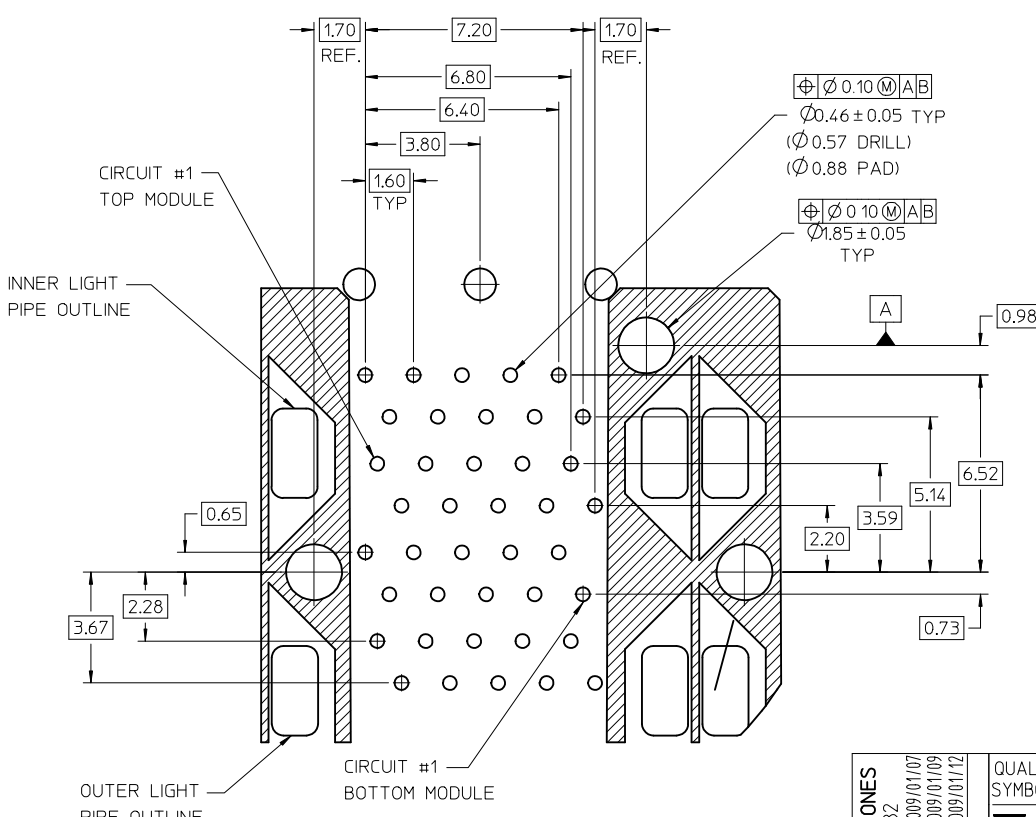
MODULE PORT DETAIL
10.00MM AREA SETBACK IN CAGE IS TO BE FREE OF ANY
HOLES, DIMPLES, SEAMS OR ANY OTHER FEATURES.
(4 SIDES PER MODULE PORT)

SEE SHEET 1 EC NO: UCP2009-1582 DRWN:MSI BARRA 2009/01/07 CHKD:BBARKER 2009/01/09 APPR:SMILLER 2009/01/12	QUALITY SYMBOLS ▽=0 ▽=0	GENERAL TOLERANCES (UNLESS SPECIFIED)		DIMENSION STYLE MM ONLY	SCALE 3:1	DESIGN UNITS METRIC	THIRD ANGLE PROJECTION		
		4 PLACES ± --- ± ---	3 PLACES ± --- ± ---	2 PLACES ± 0.13 ± ---	1 PLACE ± 0.25 ± ---	DRAWN BY MSANDBERG	DATE 10-16-06	TITLE STACKED SFP+ 2X2 ASS'Y WITH METAL EMI GASKET AND LIGHTPIPES	
		ANGULAR ± 5 °		DRAFT WHERE APPLICABLE MUST REMAIN WITHIN DIMENSIONS		CHECKED BY JLONG	DATE 10-16-06	MOLEX INCORPORATED	
		MATERIAL NO. SEE CHART		DOCUMENT NO. SD-76045-001		SHEET NO. 2 OF 4		THIS DRAWING CONTAINS INFORMATION THAT IS PROPRIETARY TO MOLEX INCORPORATED AND SHOULD NOT BE USED WITHOUT WRITTEN PERMISSION	



RECOMMENDED PCB LAYOUT - COMPONENT SIDE
RECOMMENDED PCB THICKNESS - 2.36 MM (.093 INCH)

THE ENTIRE AREA OF THE CONNECTOR FOOTPRINT
TO BE CONSIDERED THE KEEP OUT AREA FOR COMPONENTS
(OTHER THAN LIGHT PIPE LED'S).
THIS AREA IS INDICATED BY THE DASHED LINE

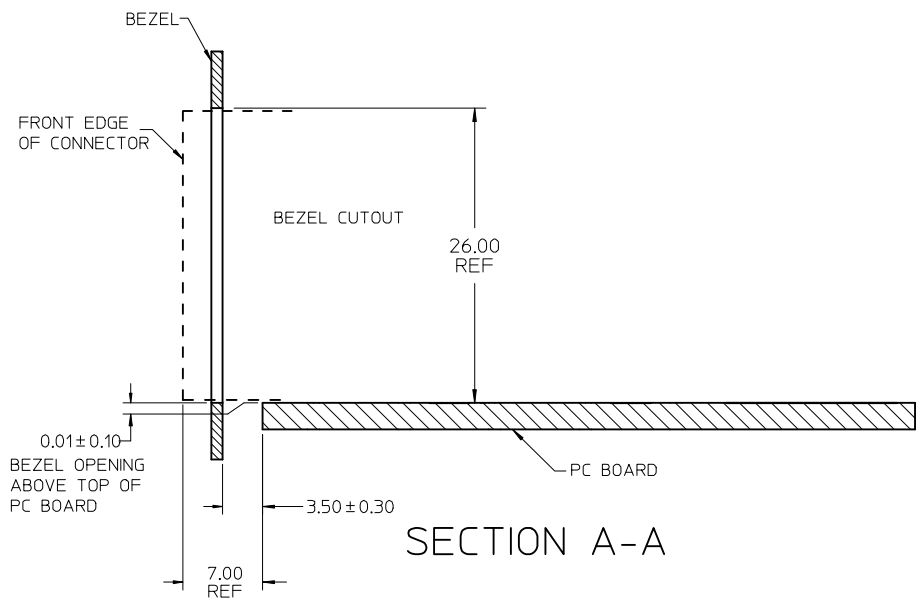


DETAIL A
SCALE 8:1

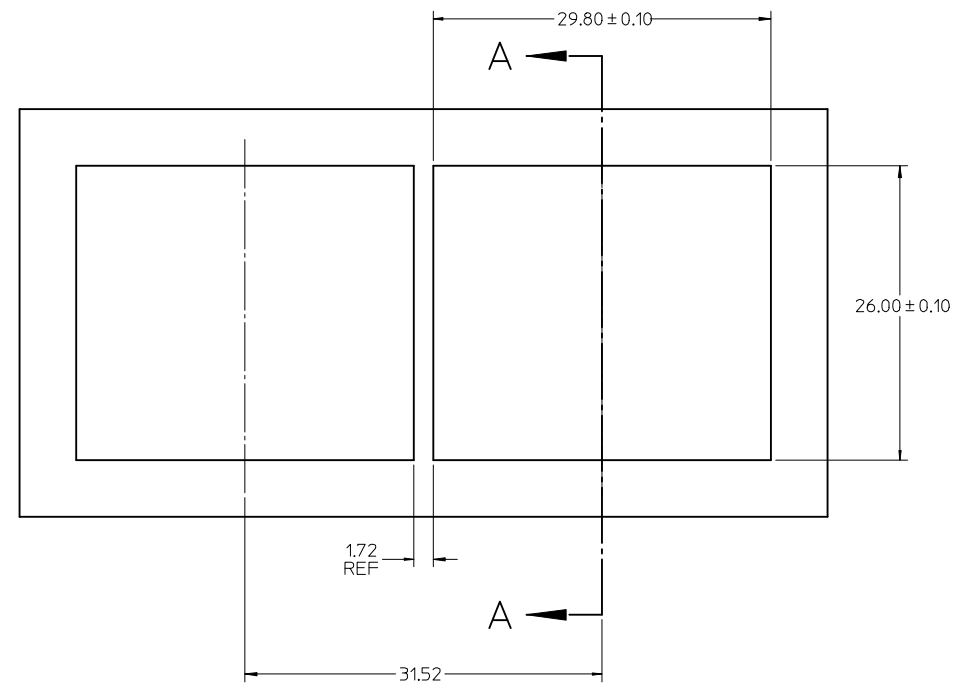
ADD KEEP OUT ZONES EC NO: UCP2009-4582 DRWN:MSI BARRA 2009/01/07 CHKD:BBARKER 2009/01/09 APPR:SMILLER 2009/01/12	QUALITY SYMBOLS	GENERAL TOLERANCES (UNLESS SPECIFIED)	DIMENSION STYLE	SCALE	DESIGN UNITS	THIRD ANGLE PROJECTION
	▽=0	mm	MM ONLY	3:1	METRIC	
	▽=0	INCH	UNLESS SPECIFIED	DRAWN BY	DATE	TITLE
				MSANDBERG	10-16-06	STACKED SFP+ 2X2 ASS'Y WITH METAL EMI GASKET AND LIGHTPIPES
				CHECKED BY	DATE	

4 PLACES ± --- ± ---	APPROVED BY	DATE
3 PLACES ± --- ± ---	RNELSON	10-16-06
2 PLACES ± 0.13 ± ---	MATERIAL NO.	
1 PLACE ± 0.25 ± ---	SEE CHART	
ANGULAR ± 5 °	DOCUMENT NO.	SD-76045-001
DRAFT WHERE APPLICABLE MUST REMAIN WITHIN DIMENSIONS	SHEET NO.	3 OF 4

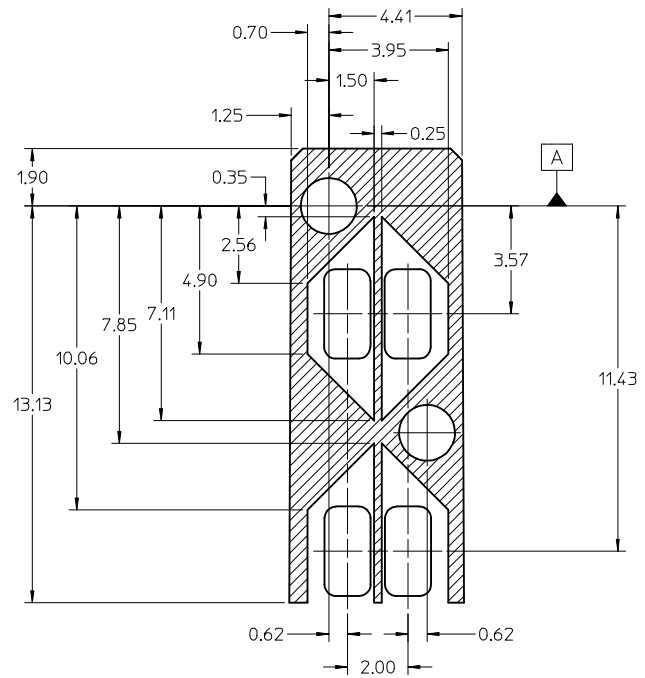
THIS DRAWING CONTAINS INFORMATION THAT IS PROPRIETARY TO MOLEX INCORPORATED AND SHOULD NOT BE USED WITHOUT WRITTEN PERMISSION	
---	--



SECTION A-A



BEZEL CUT-OUT CENTER SPACING DETAIL
BEZEL THICKNESS: 0.8 - 2.6



DETAIL - LIGHT PIPE AND OTHER ZONES
SCALE 8:1

THE HATCHED AREA IN THIS VIEW INDICATES ZONES THAT ARE OCCUPIED BY THE PLASTIC HOUSING THAT SEATS AGAINST THE PCB AND BY THE VERTICAL METAL CAGE WALL THAT STOPS JUST SHORT OF THE PCB

SEE SHEET 1 EC NO: UCP2009-1582 DRWN:MSI BARRA 2009/01/07 CHKD:BBARKER 2009/01/09 APPR:SMILLER 2009/01/12	QUALITY SYMBOLS ▽=0 ▽=0	GENERAL TOLERANCES (UNLESS SPECIFIED)		DIMENSION STYLE MM ONLY		SCALE 3:1	DESIGN UNITS METRIC	THIRD ANGLE PROJECTION			
		4 PLACES ± --- ± ---	3 PLACES ± --- ± ---	2 PLACES ± 0.13 ± ---	1 PLACE ± 0.25 ± ---	DRAWN BY MSANDBERG	DATE 10-16-06	TITLE STACKED SFP+ 2X2 ASS'Y WITH METAL EMI GASKET AND LIGHTPIPES			
		ANGULAR ± 5 °				CHECKED BY JLONG	DATE 10-16-06	MOLEX INCORPORATED			
		DRAFT WHERE APPLICABLE MUST REMAIN WITHIN DIMENSIONS				APPROVED BY RNELSON	DATE 10-16-06	DOCUMENT NO. SD-76045-001	SHEET NO. 4 OF 4		