

3.3V CMOS 1-TO-10 CLOCK DRIVER

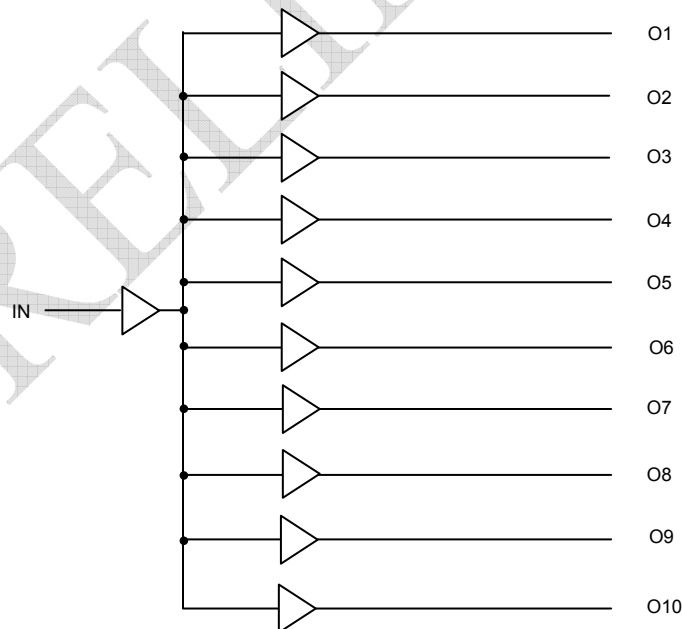
Features

- 0.5 MICRON CMOS Technology
- Guaranteed low skew < 350pS (max.)
- Very low duty cycle distortion < 350pS (max.)
- High speed: propagation delay < 3nS (max.)
- Very low CMOS power levels
- TTL compatible inputs and outputs
- 1:10 fanout
- Maximum output rise and fall time < 1.5nS (max.)
- Low input capacitance: 4.5pF typical
- Operates with 3.3V ± 0.3V Supply
- Inputs can be driven from 3.3V or 5V components
- Available in SSOP, SOIC, and QSOP Packages

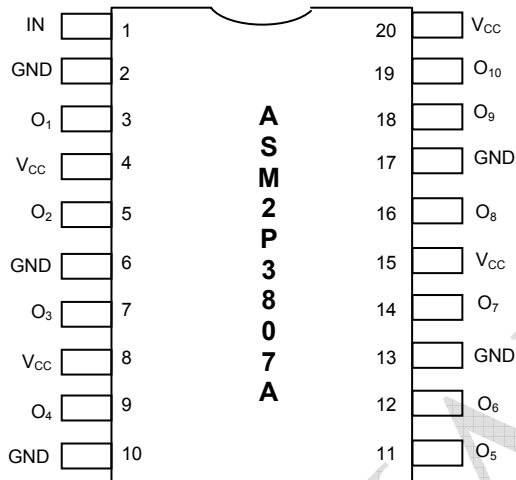
Product Description

The ASM2P3807A 3.3V clock driver is built using advanced dual metal CMOS technology. This low skew clock driver offers 1:10 fanout. The large fanout from a single input reduces loading on the preceding driver and provides an efficient clock distribution network. The ASM2P3807A offers low capacitance inputs with hysteresis for improved noise margins. Multiple power and grounds reduce noise. Typical applications are clock and signal distribution.

Block Diagram



Pin Configuration



SOIC / SSOP / QSOP Packages
TOP VIEW

Pin Description

Pin#	Pin Names	Description
1	IN	Clock Inputs
3,5,7,9,11,12,14,16,18,19	O 1-O10	Clock Outputs
2,6,10,13,17	GND	Ground
4,8,15,20	Vcc	Power

Absolute Maximum Ratings

Symbol	Description	Max	Unit
V_{TERM}^1	Terminal Voltage with Respect to GND	-0.5 to +4.6	V
V_{TERM}^2	Terminal Voltage with Respect to GND	-0.5 to +7	V
V_{TERM}^3	Terminal Voltage with Respect to GND	-0.5 to $V_{CC}+0.5$	V
T_{STG}	Storage Temperature	-65 to +150	° C
I_{OUT}	DC Output Current	-60 to +60	mA

Note: These are stress ratings only and are not implied for functional use. Exposure to absolute maximum ratings for prolonged periods of time may affect device reliability.

NOTES:

1. V_{CC} terminals.
2. Input terminals.
3. Outputs and I/O terminals.

rev 0.3

Capacitance ($T_A = +25^\circ\text{C}$, $f = 1.0\text{MHz}$)

Symbol	Parameter ¹	Conditions	Typ	Max	Unit
C_{IN}	Input Capacitance	$V_{IN} = 0V$	4.5	6	pF
C_{OUT}	Output Capacitance	$V_{OUT} = 0V$	5.5	8	pF

Note: 1. This parameter is measured at characterization but not tested.

Power Supply Characteristics

Symbol	Parameter	Test Conditions ¹	Min	Typ ²	Max	Unit
ΔI_{CC}	Quiescent Power Supply Current TTL Inputs HIGH	$V_{CC} = \text{Max.}$ $V_{IN} = V_{CC} - 0.6V^3$		10	30	μA
I_{CCD}	Dynamic Power Supply Current ⁴	$V_{CC} = \text{Max.}$ Input toggling 50% Duty Cycle Outputs Open $V_{IN} = V_{CC}$ $V_{IN} = \text{GND}$		0.31	0.45	mA/ MHz
I_C	Total Power Supply Current ⁶	$V_{CC} = \text{Max.}$ Input toggling 50% Duty Cycle Outputs Open $V_{IN} = V_{CC}$ $V_{IN} = \text{GND}$ $f_i = 50\text{MHz}$		15.5	22.8 ⁵	mA

NOTES:

1. For conditions shown as Max. or Min., use appropriate value specified under Electrical Characteristics for the applicable device type.

2. Typical values are at $V_{CC} = 3.3V$, $+25^\circ\text{C}$ ambient.

3. Per TTL driven input ($V_{IN} = V_{CC} - 0.6V$); all other inputs at V_{CC} or GND.

4. This parameter is not directly testable, but is derived for use in Total Power Supply calculations.

5. Values for these conditions are examples of the I_C formula. These limits are guaranteed but not tested.

6. $I_C = I_{QUIESCENT} + I_{INPUTS} + I_{DYNAMIC}$

$$I_C = I_{CC} + \Delta I_{CC} \text{ DHNT} + I_{CCD} (f_i)$$

$$I_{CC} = \text{Quiescent Current } (I_{CCL}, I_{CCH} \text{ and } I_{CCZ})$$

$$\Delta I_{CC} = \text{Power Supply Current for a TTL High Input } (V_{IN} = V_{CC} - 0.6V)$$

$$D_H = \text{Duty Cycle for TTL Inputs High}$$

$$N_T = \text{Number of TTL Inputs at } D_H$$

$$I_{CCD} = \text{Dynamic Current Caused by an Input Transition Pair (HLH or LHL)}$$

$$f_i = \text{Input Frequency}$$

All currents are in milliamps and all frequencies are in megahertz.

rev 0.3

DC Electrical Characteristics over Operating Range

Following Conditions Apply Unless Otherwise Specified

Commercial: $T_A = 0^\circ\text{C}$ to $+70^\circ\text{C}$, Industrial: $T_A = -40^\circ\text{C}$ to $+85^\circ\text{C}$, $V_{CC} = 3.3\text{V} \pm 0.3\text{V}$

Symbol	Parameter	Test Conditions ¹		Min	Typ	Max	Unit
V_{IH}	Input HIGH Level (Input pins)	Guaranteed Logic HIGH Level		2		5.5	V
	Input HIGH Level (I/O pins)			2		$V_{CC} + 0.5$	
V_{IL}	Input LOW Level (Input and I/O pins)	Guaranteed Logic LOW Level		-0.5		0.8	V
I_{IH}	Input HIGH Current (Input pins)	$V_{CC} = \text{Max}$	$V_I = 5.5\text{V}$			± 1	
	Input HIGH Current (I/O pins)		$V_I = V_{CC}$			± 1	μA
I_{IL}	Input LOW Current (Input pins)	$V_{CC} = \text{Max}$	$V_I = \text{GND}$			± 1	
	Input LOW Current (I/O pins)		$V_I = \text{GND}$			± 1	
I_{OZH}	High Impedance Output Current	$V_{CC} = \text{Max}$	$V_O = V_{CC}$			± 1	μA
I_{OZL}	(3-State Output Pins)		$V_O = \text{GND}$			± 1	
V_{IK}	Clamp Diode Voltage	$V_{CC} = \text{Min.}, I_{IN} = -18\text{mA}$			-0.7	-1.2	V
I_{ODH}	Output HIGH Current	$V_{CC} = 3.3\text{V}, V_{IN} = V_{IH}$ or $V_{IL}, V_O = 1.5\text{V}^3$		-36	-60	-110	mA
I_{ODL}	Output LOW Current	$V_{CC} = 3.3\text{V}, V_{IN} = V_{IH}$ or $V_{IL}, V_O = 1.5\text{V}^3$		50	90	200	mA
V_{OH}	Output HIGH Voltage	$V_{CC} = \text{Min.}, V_{IN} = V_{IH}$ or V_{IL}	$I_{OH} = -0.1\text{mA}$	$V_{CC} - 0.2$			V
			$I_{OH} = -8\text{mA}$	2.4^5	3		
V_{OL}	Output LOW Voltage	$V_{CC} = \text{Min.}, V_{IN} = V_{IH}$ or V_{IL}	$I_{OL} = 0.1\text{mA}$			0.2	V
			$I_{OL} = 16\text{mA}$		0.2	0.4	
			$I_{OL} = 24\text{mA}$		0.3	0.5	
I_{OFF}	Input Power Off Leakage	$V_{CC} = 0\text{V}, V_{IN} = 4.5\text{V}$				± 1	μA
I_{OS}	Short Circuit Current ⁴	$V_{CC} = \text{Max.}, V_O = \text{GND}^3$		-60	-135	-240	mA
V_H	Input Hysteresis	-			150		mV
I_{CCL} I_{CCH} I_{CCZ}	Quiescent Power Supply Current	$V_{CC} = \text{Max.}, V_{IN} = \text{GND}$ or V_{CC}			0.1	10	μA

NOTES:

- For conditions shown as Max or Min, use appropriate value specified under Electrical Characteristics for the applicable device type.
- Typical values are at $V_{CC} = 3.3\text{V}, +25^\circ\text{C}$ ambient.
- Not more than one output should be shorted at one time. Duration of the test should not exceed one second.
- This parameter is guaranteed but not tested.
- $V_{OH} = V_{CC} - 0.6\text{V}$ at rated current.

rev 0.3

Switching Characteristics Over Operating Range – Commercial^{3,4}

Symbol	Parameter	Conditions ¹	ASM2P3807A		Unit
			Min ²	Max	
t _{PLH}	Propagation Delay	50Ω to V _{CC} /2 C _L = 10pF (See figure 1) or 10Ω AC termination, C _L = 50pF (See figure 2) f ≤ 100MHz Outputs connected in groups of two	1.5	3	nS
t _{PHL}					
t _R	Output Rise Time		1.5	nS	
t _F	Output Fall Time		1.5	nS	
t _{SK(O)}	Output skew: skew between outputs of same package (same transition)		0.35	nS	
t _{SK(P)}	Pulse skew: skew between opposite transitions of same output (t _{PHL} – t _{PLH})		0.35	nS	
t _{SK(T)}	Package skew: skew between outputs of different packages at same power supply voltage, temperature, package type and speed grade	0.65	nS		

PRELIMINARY

Symbol	Parameter	Conditions ¹	ASM2P3807A		Unit
			Min ²	Max	
t _{PLH}	Propagation Delay	C _L = 30pF f ≤ 67MHz (See figure 3)	1.5	4	nS
t _{PHL}					
t _R	Output Rise Time		1.5	nS	
t _F	Output Fall Time		1.5	nS	
t _{SK(O)}	Output skew: skew between outputs of same package (same transition)		0.45	nS	
t _{SK(P)}	Pulse skew: skew between opposite transitions of same output (t _{PHL} - t _{PLH})		0.45	nS	
t _{SK(T)}	Package skew: skew between outputs of different packages at same power supply voltage, temperature, package type and speed grade		0.75	nS	

Symbol	Parameter	Conditions ¹	ASM2P3807A		Unit
			Min ²	Max	
t _{PLH}	Propagation Delay	C _L = 50pF f ≤ 40MHz (See figure 4)	1.5	4.3	nS
t _{PHL}					
t _R	Output Rise Time		1.5	nS	
t _F	Output Fall Time		1.5	nS	
t _{SK(O)}	Output skew: skew between outputs of same package (same transition)		0.35	nS	
t _{SK(P)}	Pulse skew: skew between opposite transitions of same output (t _{PHL} - t _{PLH})		0.35	nS	
t _{SK(T)}	Package skew: skew between outputs of different packages at same power supply voltage, temperature, package type and speed grade		0.75	nS	

NOTES:1. See test circuits and waveforms.

2. Minimum limits are guaranteed but not tested on Propagation Delays.

3. t_{PLH}, t_{PHL}, t_{SK(O)} are production tested. All other parameters guaranteed but not production tested.

4. Propagation delay range indicated by Min. and Max. limit is due to V_{CC}, operating temperature and process parameters. These propagation delays limits do not imply skew.

rev 0.3

Switching Characteristics Over Operating Range - Industrial^{3,4}

Symbol	Parameter	Conditions ¹	ASM2P3807A		Unit	
			Min ²	Max		
t _{PLH}	Propagation Delay	50Ω to V _{CC} /2 C _L = 10pF (See figure 1) or 50Ω AC termination, C _L = 10pF (See figure 2) f ≤ 100MHz Outputs connected in groups of two	1.5	3	nS	
t _{PHL}						
t _R	Output Rise Time			1.5	nS	
t _F	Output Fall Time			1.5	nS	
t _{SK(O)}	Output skew: skew between outputs of same package (same transition)				0.45	nS
t _{SK(P)}	Pulse skew: skew between opposite transitions of same output (t _{PHL} - t _{PLH})				0.45	nS
t _{SK(T)}	Package skew: skew between outputs of different packages at same power supply voltage, temperature, package type and speed grade				0.65	nS

Symbol	Parameter	Conditions ¹	ASM2P3807A		Unit	
			Min ²	Max		
t _{PLH}	Propagation Delay	C _L = 30pF f ≤ 67MHz (See figure 3)	1.5	4	nS	
t _{PHL}						
t _R	Output Rise Time			1.5	nS	
t _F	Output Fall Time			1.5	nS	
t _{SK(O)}	Output skew: skew between outputs of same package (same transition)				0.45	nS
t _{SK(P)}	Pulse skew: skew between opposite transitions of same output (t _{PHL} - t _{PLH})				0.45	nS
t _{SK(T)}	Package skew: skew between outputs of different packages at same power supply voltage, temperature, package type and speed grade				0.75	nS

Symbol	Parameter	Conditions ¹	ASM2P3807A		Unit	
			Min ²	Max		
t _{PLH}	Propagation Delay	C _L = 50pF f ≤ 40MHz (See figure 4)	1.5	4.3	nS	
t _{PHL}						
t _R	Output Rise Time			1.5	nS	
t _F	Output Fall Time			1.5	nS	
t _{SK(O)}	Output skew: skew between outputs of same package (same transition)				0.45	nS
t _{SK(P)}	Pulse skew: skew between opposite transitions of same output (t _{PHL} - t _{PLH})				0.45	nS
t _{SK(T)}	Package skew: skew between outputs of different packages at same power supply voltage, temperature, package type and speed grade			0.75	nS	

NOTES:1. See test circuits and waveforms.

2. Minimum limits are guaranteed but not tested on Propagation Delays.

3. t_{PLH}, t_{PHL}, t_{SK(O)} are production tested. All other parameters guaranteed but not production tested.

4. Propagation delay range indicated by Min and Max limit is due to V_{CC}, operating temperature and process parameters. These propagation delay limits do not imply skew.

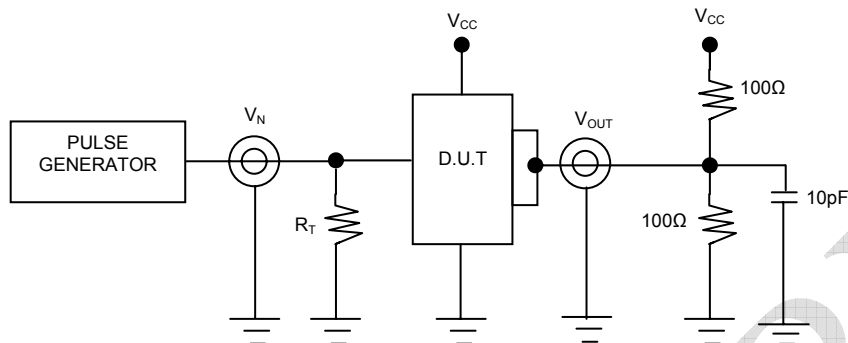


Figure 1. $Z_o = 50\Omega$ to $V_{cc}/2$, $C_L = 10pF$

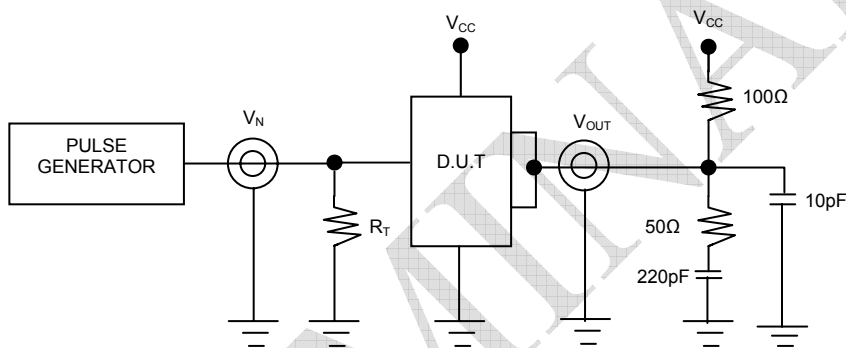


Figure 2. $Z_o = 50\Omega$ AC Termination, $C_L = 10pF$

The capacitor value for ac termination is determined by the operating frequency. For very low frequencies a higher capacitor value should be selected.

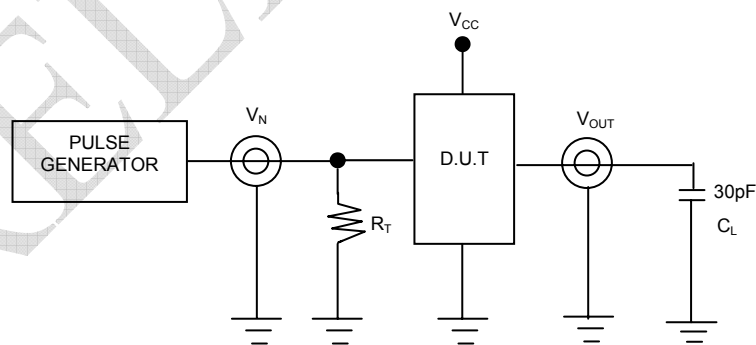


Figure 3. $C_L = 30pF$ Circuit

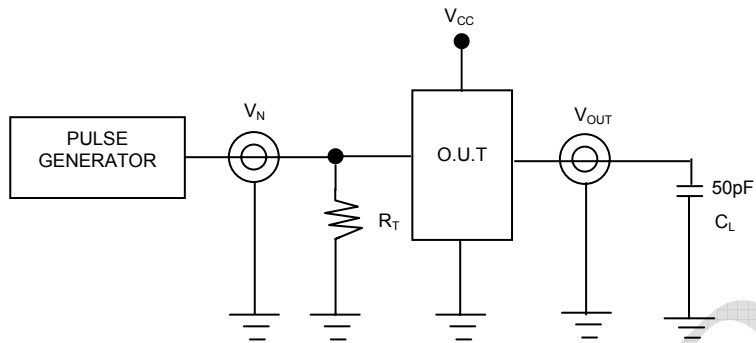


Figure 3. $C_L = 50\text{pF}$ Circuit

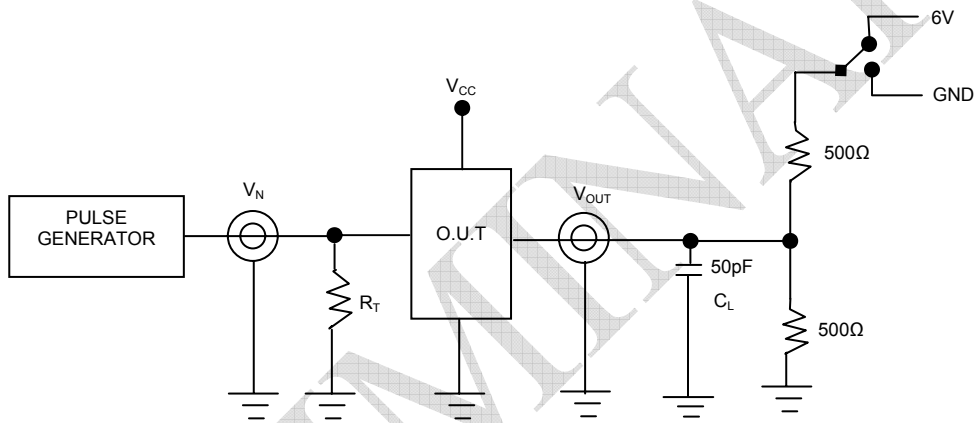


Figure 5. Enable and Disable Time Circuit

Enable and Disable Time

Switch Position

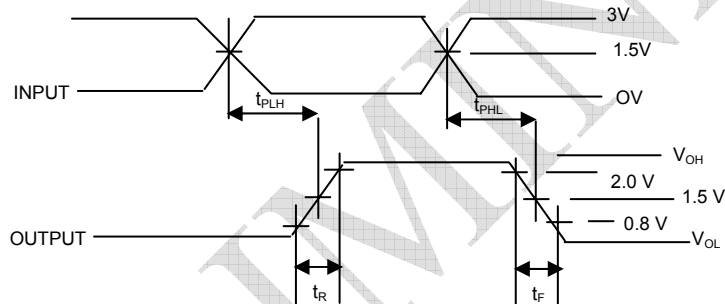
Test	Switch
Disable LOW	6V
Enable LOW	
Disable HIGH	GND
Enable HIGH	

DEFINITIONS:

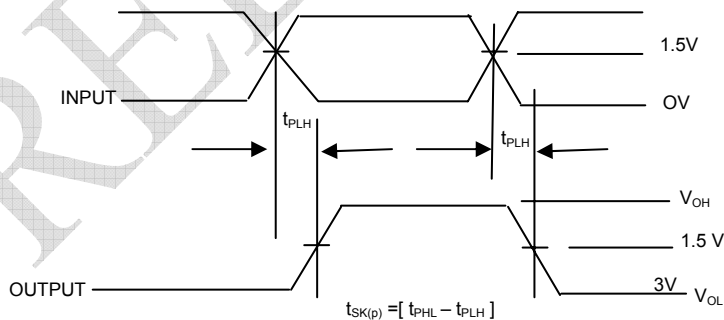
C_L = Load capacitance: includes jig and probe capacitance.

R_T = Termination resistance: should be equal to Z_{OUT} of the Pulse Generator.

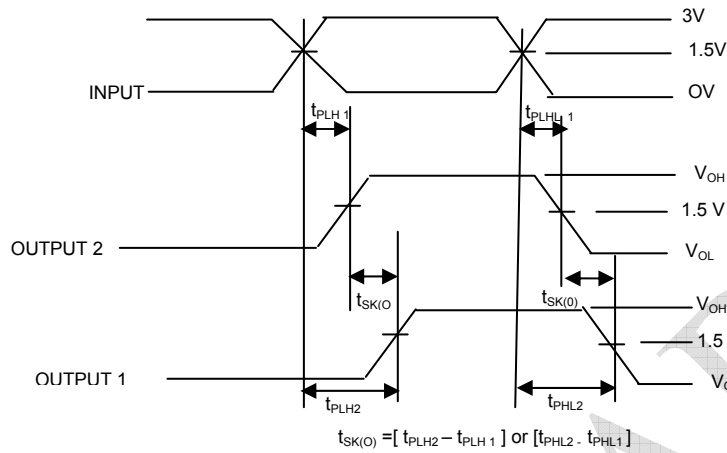
Test Waveforms



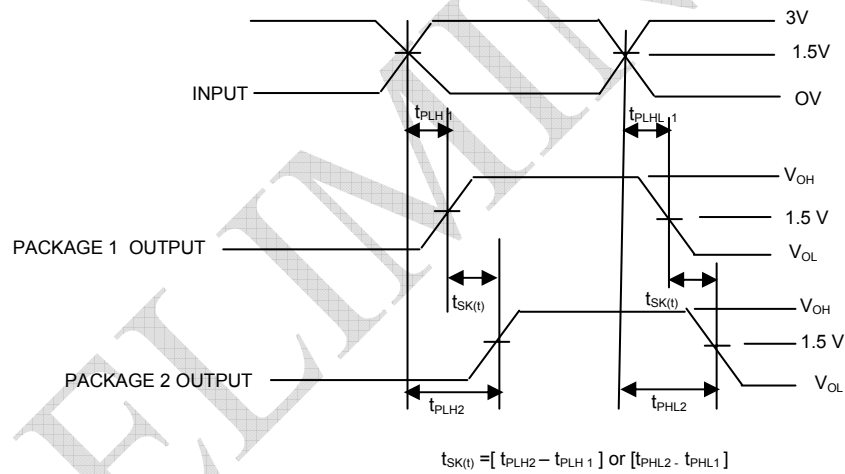
Package Delay



Pulse Skew - $t_{SK(P)}$

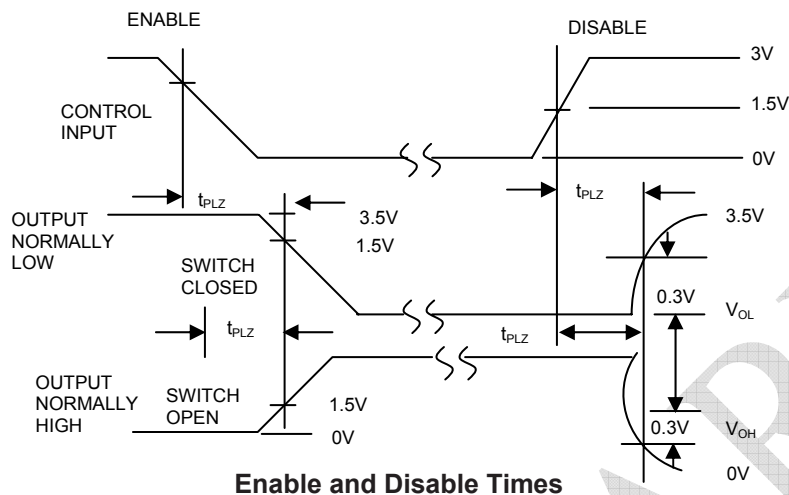


Output Skew - $t_{SK(O)}$



Package Skew - $t_{SK(T)}$

Package 1 and Package 2 are same device type and speed grade



- NOTES: 1. Diagram shown for input Control Enable-LOW and input Control Disable-HIGH
 2. Pulse Generator for All Pulses: $f \leq 1.0\text{MHz}$; $t_f \leq 2.5\text{nS}$; $t_r \leq 2.5\text{nS}$

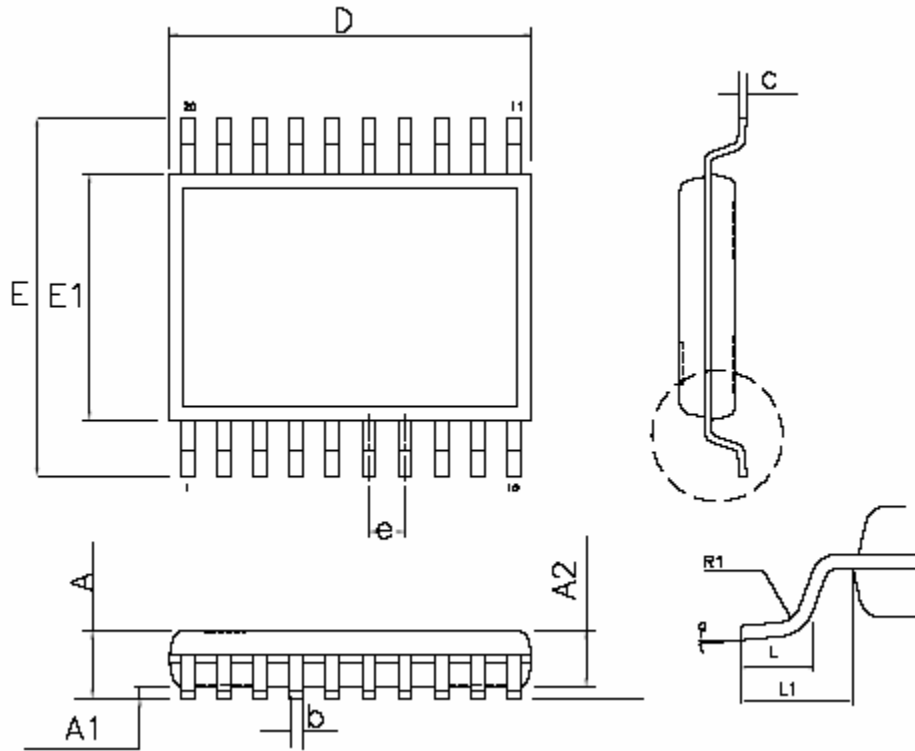
PRELIMINARY

November 2006

rev 0.3

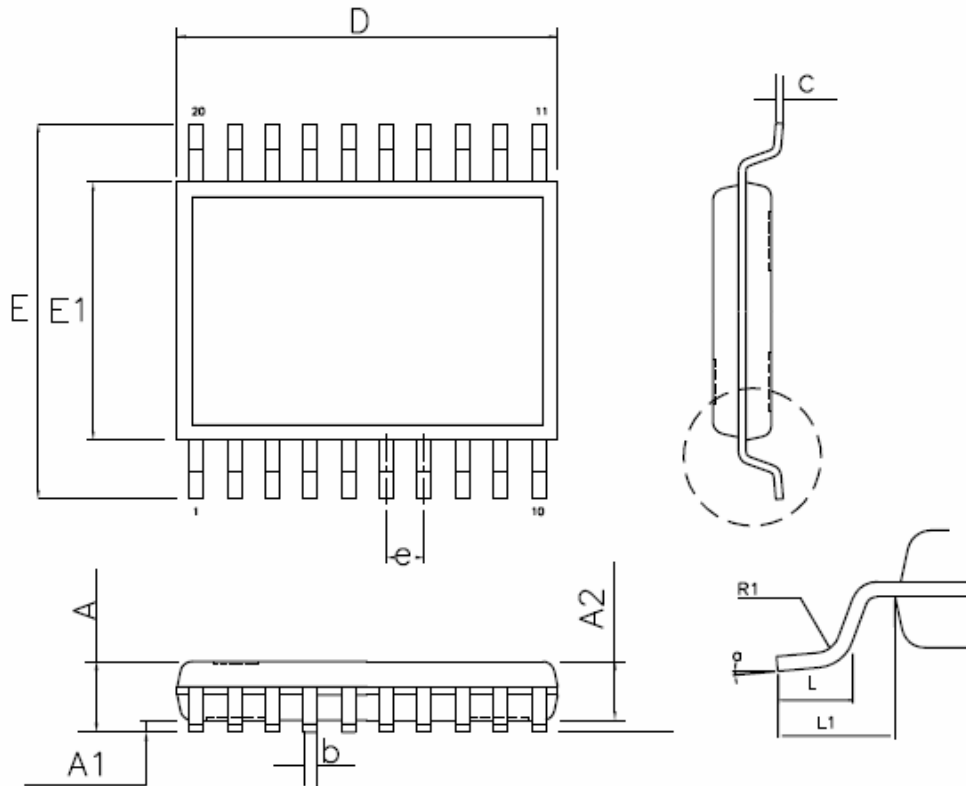
Package Information

20-lead SSOP (150 mil)



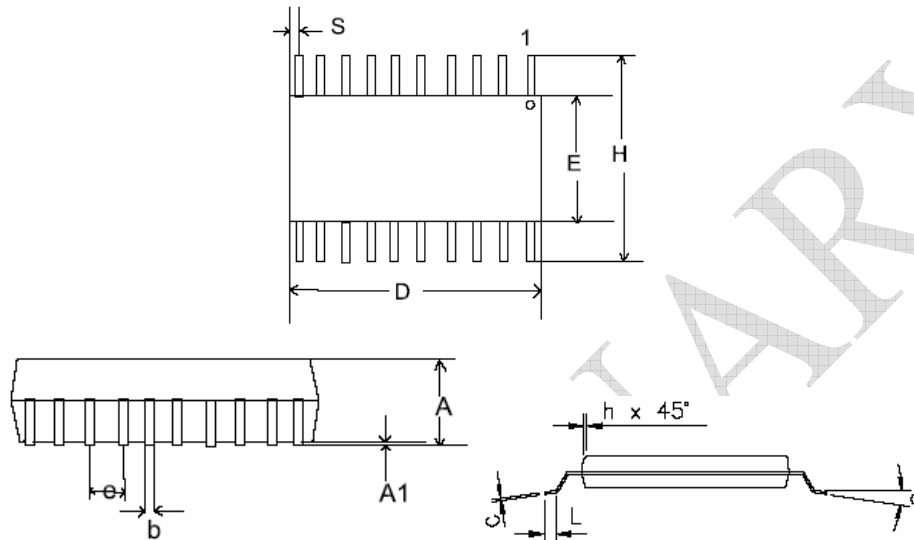
Symbol	Dimensions			
	Inches		Millimeters	
	Min	Max	Min	Max
A	0.053	0.069	1.346	1.753
A1	0.004	0.010	0.102	0.254
A2	0.059	1.499
D	0.337	0.344	8.560	8.738
c	0.007	0.011	0.178	0.274
E	0.228	0.244	5.791	6.198
E1	0.150	0.157	3.810	3.988
L	0.016	0.035	0.406	0.890
L1	0.010 BASIC		0.254 BASIC	
b	0.008	0.014	0.203	0.356
R1	0.003	0.08
a	0°	8°	0°	8°
e	0.025 BASIC		0.635 BASIC	

20L SOIC Package (300 mil)



Symbol	Dimensions			
	Inches		Millimeters	
	Min	Max	Min	Max
A	0.093	0.104	2.35	2.65
A1	0.004	0.012	0.10	0.30
A2	0.088	0.094	2.25	2.40
D	0.496	0.512	12.60	13.00
L	0.016	0.050	0.40	1.27
E1	0.291	0.299	7.40	7.60
R1	0.003	0.08
b	0.013	0.022	0.33	0.56
c	0.009	0.015	0.23	0.38
E	0.394	0.419	10.00	10.65
e	0.050 BSC		1.27 BSC	
a	0°	8°	0°	8°

20-lead QSOP Package



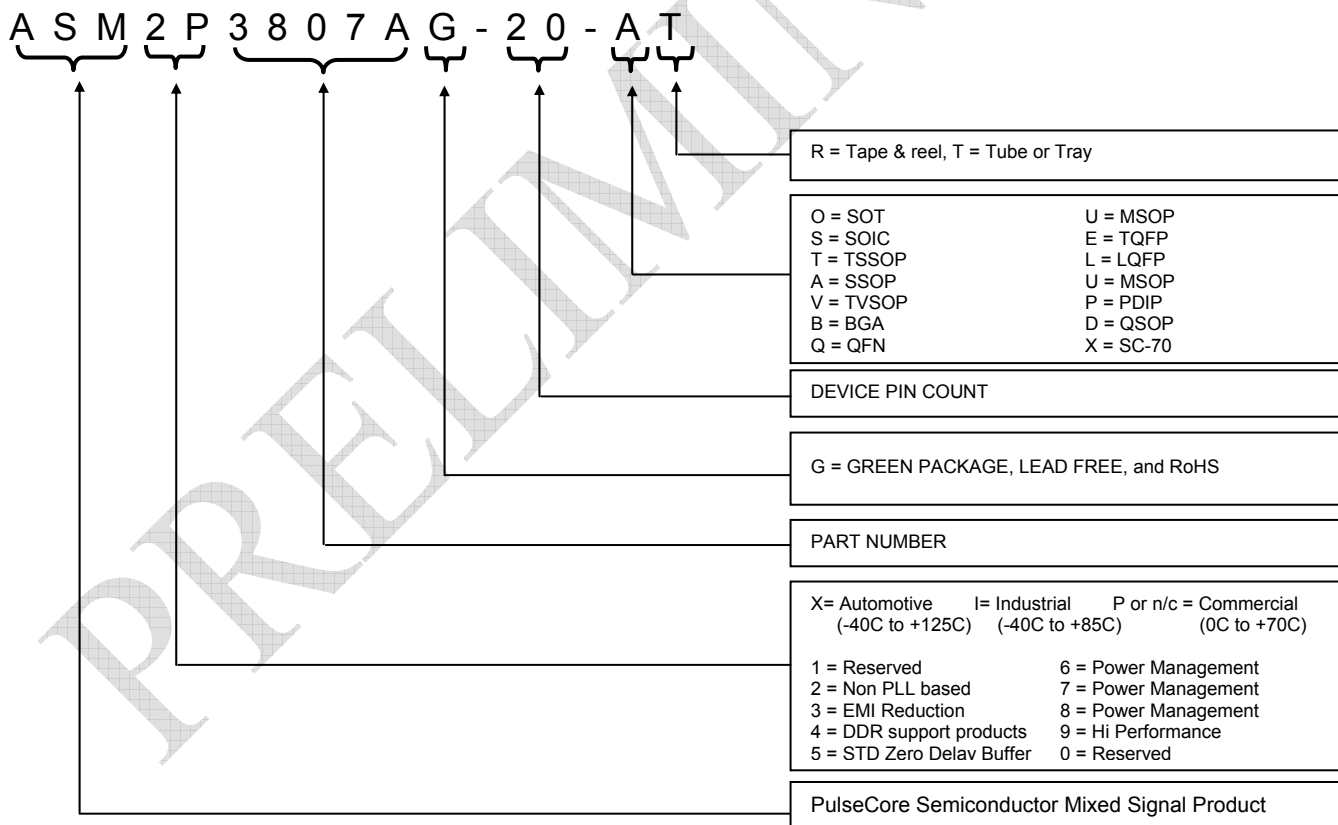
Symbol	Dimensions			
	Inches		Millimeters	
	Min	Max	Min	Max
A	0.060	0.068	1.52	1.73
A1	0.004	0.008	0.10	0.20
b	0.009	0.012	0.23	0.30
c	0.007	0.010	0.18	0.25
D	0.337	0.344	8.56	8.74
E	0.150	0.157	3.81	3.99
e	0.025 BSC		0.64 BSC	
H	0.230	0.244	5.84	6.20
h	0.010	0.016	0.25	0.41
L	0.014	0.030	0.35	0.75
S	0.056	0.060	1.42	1.52
a	0°	8°	0°	8°

rev 0.3

Ordering Information

Part Number	Marking	Package Type	Temperature
ASM2P3807AG-20-AR	2P3807AG	20-Pin SSOP, TAPE & REEL, Green	Commercial
ASM2P3807AG-20-AT	2P3807AG	20-Pin SSOP, TUBE, Green	Commercial
ASM2P3807AG-20-DR	2P3807AG	20-Pin QSOP, TAPE & REEL, Green	Commercial
ASM2P3807AG-20-DT	2P3807AG	20-Pin QSOP, TUBE, Green	Commercial
ASM2P3807AG-20-SR	2P3807AG	20-Pin SOIC, TAPE & REEL, Green	Commercial
ASM2P3807AG-20-ST	2P3807AG	20-Pin SOIC, TUBE, Green	Commercial
ASM2I3807AG-20-AR	2I3807AG	20-Pin SSOP, TAPE & REEL, Green	Industrial
ASM2I3807AG-20-AT	2I3807AG	20-Pin SSOP, TUBE, Green	Industrial
ASM2I3807AG-20-DR	2I3807AG	20-Pin QSOP, TAPE & REEL, Green	Industrial
ASM2I3807AG-20-DT	2I3807AG	20-Pin QSOP, TUBE, Green	Industrial
ASM2I3807AG-20-SR	2I3807AG	20-Pin SOIC, TAPE & REEL, Green	Industrial
ASM2I3807AG-20-ST	2I3807AG	20-Pin SOIC, TUBE, Green	Industrial

Device Ordering Information



Licensed under US patent Nos 5,488,627 and 5,631,920.



PulseCore Semiconductor Corporation
1715 S. Bascom Ave Suite 200
Campbell, CA 95008
Tel: 408-879-9077
Fax: 408-879-9018
www.pulsecoresemi.com

Copyright © PulseCore Semiconductor
All Rights Reserved
Preliminary Information
Part Number: ASM2P3807A
Document Version: v0.3

Note: This product utilizes US Patent # 6,646,463 Impedance Emulator Patent issued to PulseCore Semiconductor, dated 11-11-2003

© Copyright 2006 PulseCore Semiconductor Corporation. All rights reserved. Our logo and name are trademarks or registered trademarks of PulseCore Semiconductor. All other brand and product names may be the trademarks of their respective companies. PulseCore reserves the right to make changes to this document and its products at any time without notice. PulseCore assumes no responsibility for any errors that may appear in this document. The data contained herein represents PulseCore's best data and/or estimates at the time of issuance. PulseCore reserves the right to change or correct this data at any time, without notice. If the product described herein is under development, significant changes to these specifications are possible. The information in this product data sheet is intended to be general descriptive information for potential customers and users, and is not intended to operate as, or provide, any guarantee or warranty to any user or customer. PulseCore does not assume any responsibility or liability arising out of the application or use of any product described herein, and disclaims any express or implied warranties related to the sale and/or use of PulseCore products including liability or warranties related to fitness for a particular purpose, merchantability, or infringement of any intellectual property rights, except as express agreed to in PulseCore's Terms and Conditions of Sale (which are available from PulseCore). All sales of PulseCore products are made exclusively according to PulseCore's Terms and Conditions of Sale. The purchase of products from PulseCore does not convey a license under any patent rights, copyrights; mask works rights, trademarks, or any other intellectual property rights of PulseCore or third parties. PulseCore does not authorize its products for use as critical components in life-supporting systems where a malfunction or failure may reasonably be expected to result in significant injury to the user, and the inclusion of PulseCore products in such life-supporting systems implies that the manufacturer assumes all risk of such use and agrees to indemnify PulseCore against all claims arising from such use.