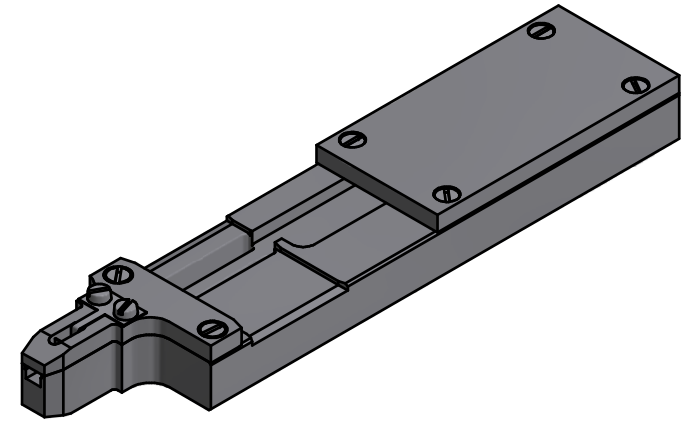
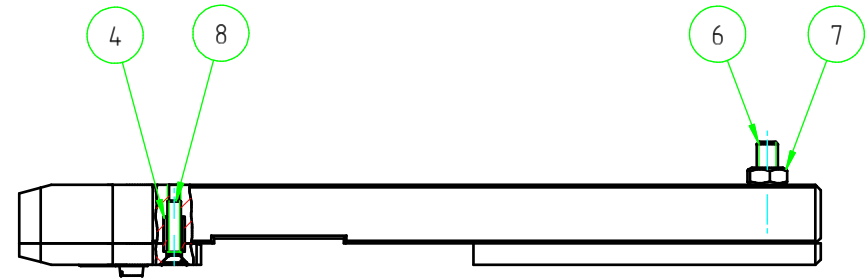
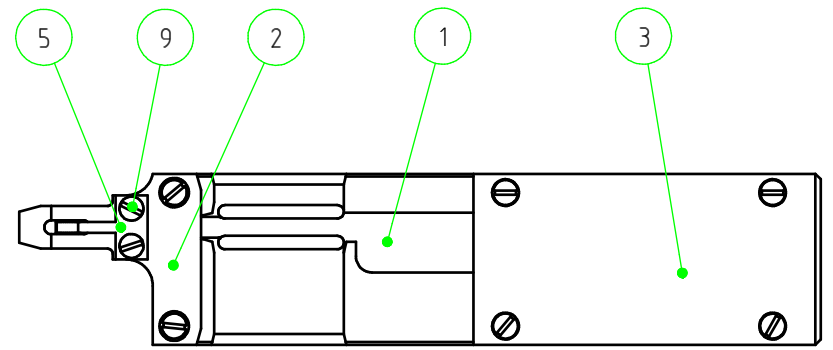

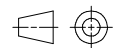


LOC	DIST	REVISIONS					
AI	00	P	LTR	DESCRIPTION	DATE	DWN	APVD
			A	INITIAL REVISION	20OCT2009	LS	DH



THIS DRAWING IS A CONTROLLED DOCUMENT.		DWN	14OCT2009		 TE Connectivity
DIMENSIONS: mm		CHK	20OCT2009		
		APVD	20OCT2009		
TOLERANCES UNLESS OTHERWISE SPECIFIED: 0 PLC ± 1 PLC ± 2 PLC ± 3 PLC ± 4 PLC ± ANGLES ±		PRODUCT SPEC	NAME		
MATERIAL	FINISH	APPLICATION SPEC	INSERTION TUBE ASSY Einsetztube Baugruppe		RESTRICTED TO
		Gewicht / Weight in Kg	SIZE	CAGE CODE	DRAWING NO
		0,402	A3	00779	1-548040-8
CUSTOMER DRAWING			SCALE	SHEET	REV
				1 OF 2	A

