

Unshielded Radial Power Inductor

AIUR-16 Series



RoHS/RoHS II compliant



9.50 x ϕ 7.00mm

FEATURES:

- Ferrite core with heat shrink tube
- High Reliability

APPLICATIONS:

- Switching Power Supplies
- Noise Filtering
- DC to DC Converters
- Electronic Household Appliances
- Buzzers and Alarm Systems
- Television and Audio Equipment

STANDARD SPECIFICATIONS:

PARAMETERS

ABRACON P/N:	AIUR-16 Series
Operating temperature:	-25°C to + 85°C
Storage temperature:	-25°C to + 85°C

Part Number AIUR-16- Inductance Code	Inductance	Tolerance	DCR (Max)	Saturation Current (Max)	Temperature Rise Current (Max)	Marking
Units	μ H	%	Ω	A	A	
Symbol	L		DCR	Isat	Irms	
AIUR-16-3R9	3.9	K	0.020	2.700	1.300	3R9K
AIUR-16-4R7	4.7	K	0.022	2.500	1.300	4R7K
AIUR-16-5R6	5.6	K	0.027	2.300	1.300	5R6K
AIUR-16-6R8	6.8	K	0.029	2.100	1.300	6R8K
AIUR-16-8R2	8.2	K	0.036	1.900	1.300	8R2K
AIUR-16-100	10	K	0.041	1.700	1.300	100K
AIUR-16-120	12	K	0.046	1.550	1.300	120K
AIUR-16-150	15	K	0.050	1.400	1.300	150K
AIUR-16-180	18	K	0.062	1.300	1.000	180K
AIUR-16-220	22	K	0.071	1.200	1.000	220K
AIUR-16-270	27	K	0.073	1.100	1.000	270K
AIUR-16-330	33	K	0.090	0.920	0.800	330K
AIUR-16-390	39	K	0.102	0.840	0.800	390K
AIUR-16-470	47	K	0.120	0.760	0.800	470K
AIUR-16-560	56	K	0.162	0.700	0.620	560K
AIUR-16-680	68	K	0.186	0.660	0.620	680K
AIUR-16-820	82	K	0.240	0.580	0.490	820K
AIUR-16-101	100	K	0.270	0.530	0.490	101K
AIUR-16-121	120	K	0.310	0.460	0.490	121K
AIUR-16-151	150	K	0.372	0.440	0.490	151K
AIUR-16-181	180	K	0.456	0.390	0.385	181K
AIUR-16-221	220	K	0.535	0.350	0.385	221K
AIUR-16-271	270	K	0.625	0.320	0.385	271K
AIUR-16-331	330	K	0.816	0.300	0.300	331K
AIUR-16-391	390	K	1.000	0.280	0.250	391K
AIUR-16-471	470	K	1.200	0.240	0.250	471K
AIUR-16-561	560	K	1.300	0.225	0.250	561K
AIUR-16-681	680	K	1.800	0.210	0.190	681K
AIUR-16-821	820	K	2.100	0.190	0.190	821K
AIUR-16-102	1000	K	3.000	0.165	0.150	102K
AIUR-16-122	1200	K	3.300	0.155	0.150	122K
AIUR-16-152	1500	K	3.500	0.135	0.150	152K
AIUR-16-182	1800	K	5.700	0.125	0.120	182K
AIUR-16-222	2200	K	6.200	0.115	0.095	222K
AIUR-16-272	2700	K	7.600	0.105	0.095	272K
AIUR-16-332	3300	K	8.500	0.096	0.095	332K
AIUR-16-392	3900	K	10.30	0.084	0.076	392K
AIUR-16-472	4700	K	11.30	0.076	0.076	472K
AIUR-16-562	5600	K	13.00	0.070	0.076	562K
AIUR-16-682	6800	K	17.00	0.064	0.060	682K

ABRACON IS
ISO 9001:2008
CERTIFIED



ABRACON
CORPORATION

Visit www.abracon.com for Terms & Conditions of Sale
30332 Esperanza, Rancho Santa Margarita, California 92688
tel 949-546-8000 | fax 949-546-8001 | www.abracon.com

Revised: 07.26.12

Unshielded Radial Power Inductor

AIUR-16 Series



RoHS/RoHS II compliant



9.50 x ϕ 7.00mm

Part Number AIUR-16- Inductance Code	Inductance	Tolerance	DCR (Max)	Saturation Current (Max)	Temperature Rise Current (Max)	Marking
Units	μ H	%	Ω	A	A	
Symbol	L		DCR	Isat	Irms	
AIUR-16-822	8200	K	20.00	0.057	0.060	822K
AIUR-16-103	10000	K	27.00	0.053	0.046	103K
AIUR-16-123	12000	K	31.00	0.047	0.046	123K
AIUR-16-153	15000	K	45.00	0.043	0.036	153K
AIUR-16-183	18000	K	51.00	0.038	0.036	183K
AIUR-16-223	22000	K	60.00	0.035	0.030	223K
AIUR-16-273	27000	K	66.00	0.033	0.030	273K
AIUR-16-333	33000	K	100.0	0.029	0.030	333K

Test Conditions and equipments

Test frequency: 10kHz, 0.1Vrms

DCR: QuadTech Milliohmmeter

Isat: 5% typical inductance drops from initial value

Irms: Δ T of 30°C max.

PART NUMBER IDENTIFICATION

AIUR-16-

Packaging 200pcs/box

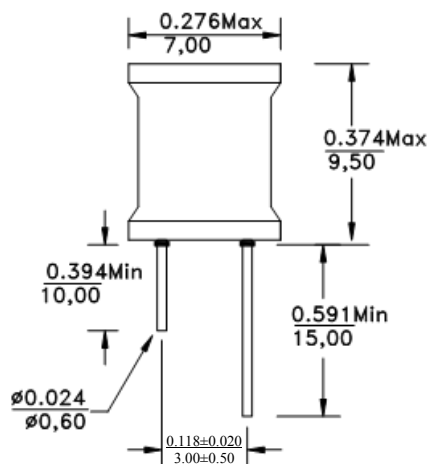
Inductance Code

Please refer to the
Electrical Spec Table

Tolerance

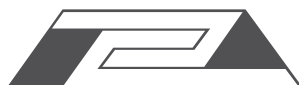
K: \pm 10%

PART NUMBER IDENTIFICATION



ATTENTION: Abracon Corporation's products are COTS – Commercial-Off-The-Shelf products; suitable for Commercial, Industrial and, where designated, Automotive Applications. Abracon's products are not specifically designed for Military, Aviation, Aerospace, Life-dependant Medical applications or any application requiring high reliability where component failure could result in loss of life and/or property. For applications requiring high reliability and/or presenting an extreme operating environment, written consent and authorization from Abracon Corporation is required. Please contact Abracon Corporation for more information.

ABRACON IS
ISO 9001:2008
CERTIFIED



ABRACON
CORPORATION

Visit www.abracon.com for Terms & Conditions of Sale

30332 Esperanza, Rancho Santa Margarita, California 92688
tel 949-546-8000 | fax 949-546-8001 | www.abracon.com

Revised: 07.26.12