

PLEASE CHECK WWW.MOLEX.COM FOR LATEST PART INFORMATION

Part Number: [1300061384](#)
Status: **Active**
Overview: [minichange_products](#)
Description: Mini-Change® A-Size Single-Ended Cordset, 90° to Straight, Female to Pigtail, 5 Poles, 4.57m (15.0') Length

Documents:

[Drawing \(PDF\)](#) [RoHS Certificate of Compliance \(PDF\)](#)

Agency Certification

CSA LR6837
 UL E152210

General

Product Family Industrial Cordsets
 Series [130006](#)
 Comments A-Size (7/8" - 16 UN-2B)
 Connector End A Mini-Change®
 Connector End B Pigtail
 IP Rating IP67
 NEMA Rating NEMA 6
 Overview [minichange_products](#)
 Product Name Mini-Change®
 Type Single Ended

Physical

Cable Diameter 12.70mm (.500")
 Cable Length 4.57m (15.0')
 Color - Cable Jacket Yellow
 Coupling Style Threaded
 Gender Female-Pigtail
 Keyway Single
 LED Indicator No
 Material - Cable Jacket PVC
 Material - Connector Body PVC
 Material - Contact Copper
 Material - Coupling Nut Black Epoxy Coated Zinc
 Material - Plating Mating Gold
 Orientation 90° to Straight
 Poles 5
 Temperature Range - Operating -20°C to +105°C
 Wire Size AWG 16
 Wire/Cable Type E152210

Electrical

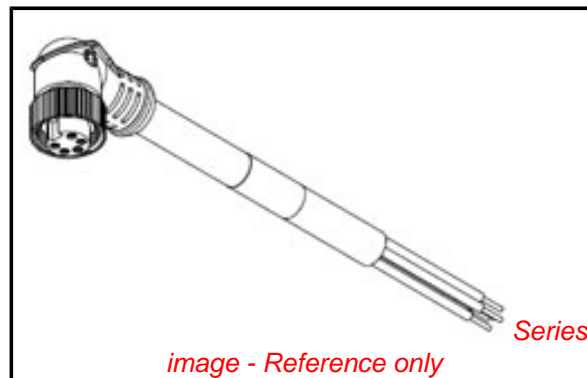
Current - Maximum per Contact 8A
 Voltage - Maximum 600V

Material Info

Old Part Number 105001A02F150

Reference - Drawing Numbers

Sales Drawing SD-130006-032



EU RoHS

RoHS Compliant by Exemption

REACH SVHC

Not Reviewed

Halogen-Free

Status

Not Reviewed

Need more information on product environmental compliance?

Email productcompliance@molex.com
 For a multiple part number RoHS Certificate of Compliance, [click here](#)

Please visit the [Contact Us](#) section for any non-product compliance questions.

China RoHS



Search Parts in this Series

[130006Series](#)

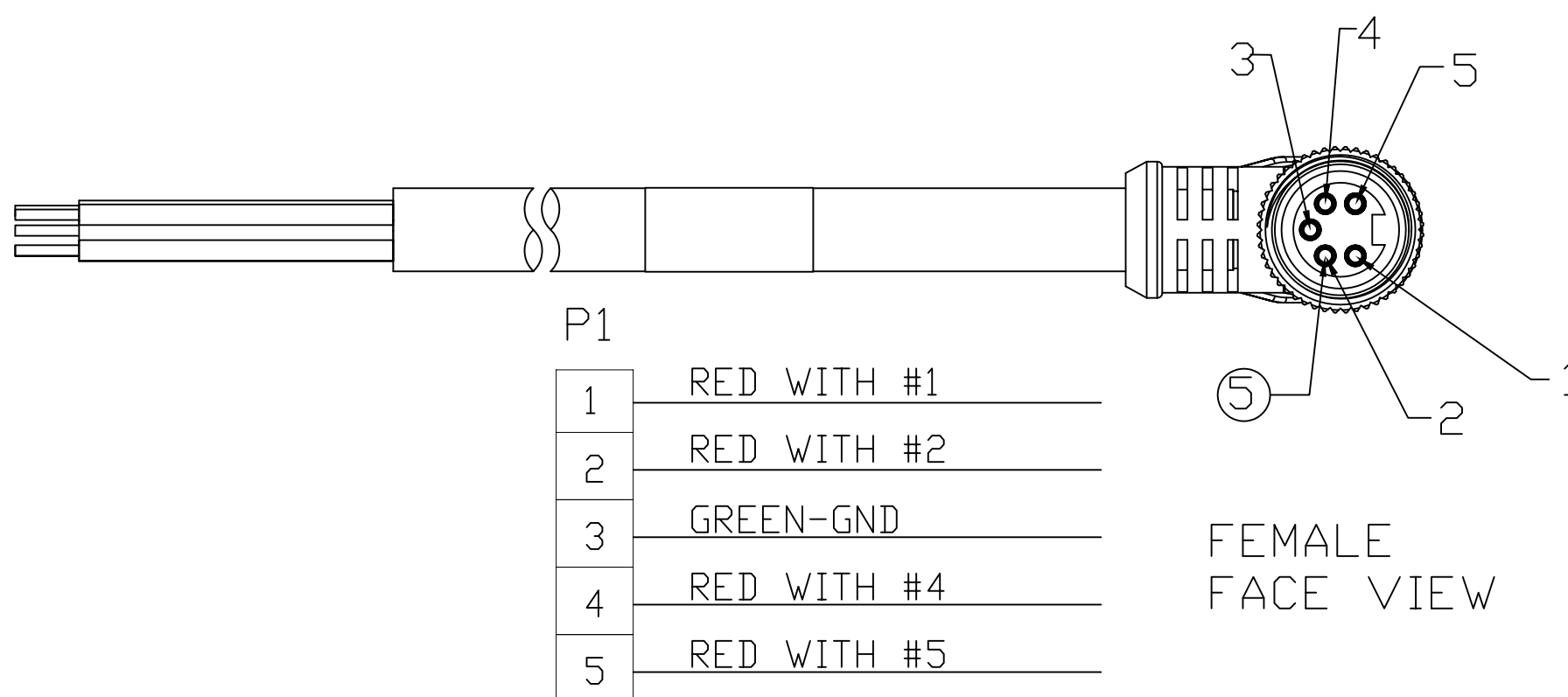
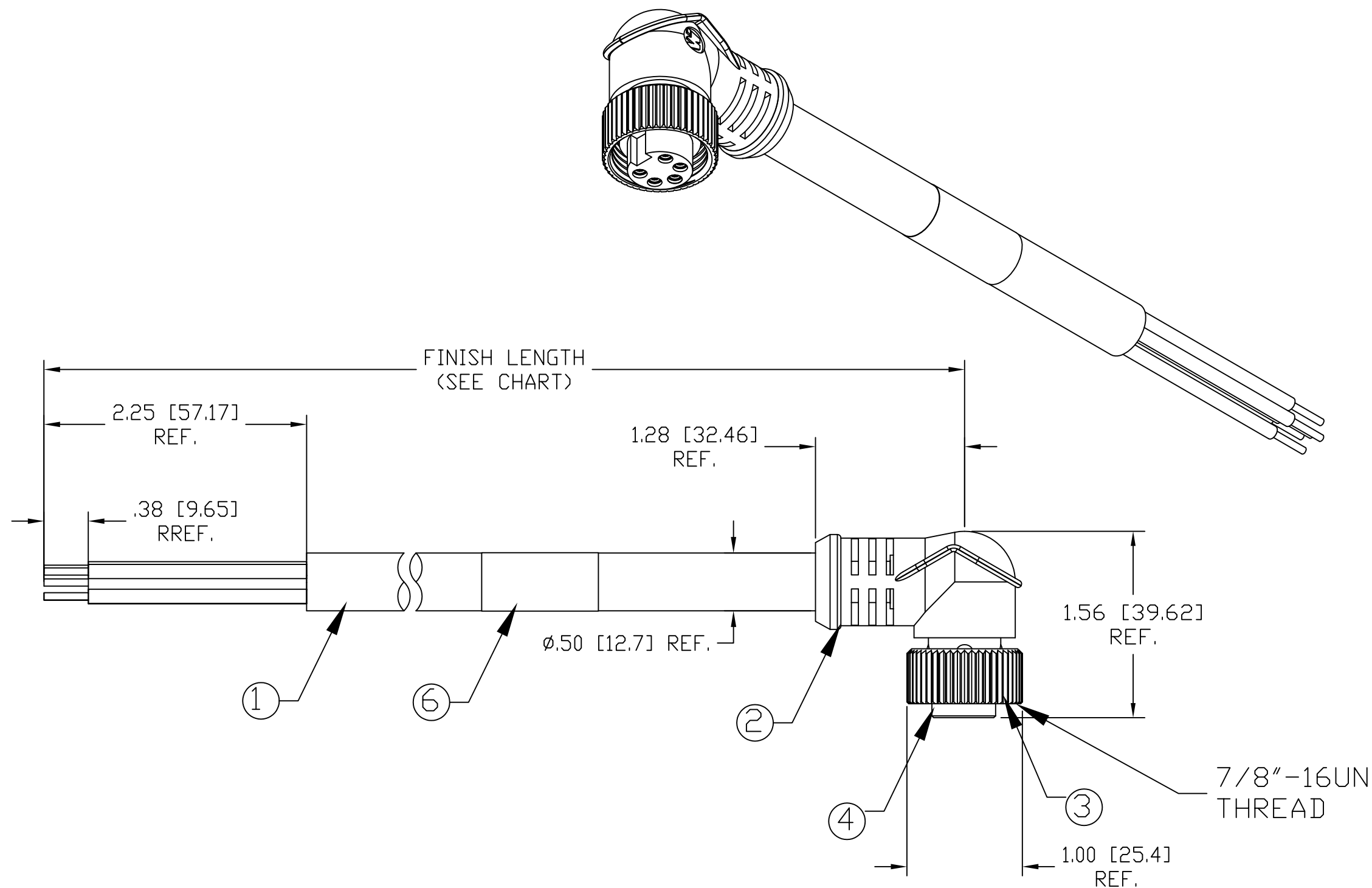
PLEASE CHECK WWW.MOLEX.COM FOR LATEST PART INFORMATION

13	12	11	10	9
PART NUMBER	ENGINEERING NUMBER	FINISH LENGTH		
1300061381	105001A02F030	3.00'	+1.75"	-0 [0.9M +44.5 -0]
1300061382	105001A02F060	6.00'	+2.19"	-0 [1.8M +55.6 -0]
1300061383	105001A02F120	12.00'	+3.50"	-0 [3.7M +88.9 -0]
1300061384	105001A02F150	15.00'	+6.50"	-0 [4.6M +165.1 -0]
1300061385	105001A02F200	20.00'	+6.50"	-0 [6.1M +165.1 -0]
1300061386	105001A02F300	30.00'	+12.50"	-0 [9.1M +317.5 -0]

NOTE

- 1) MATERIAL: SEE TABLE
- 2) FINISHES: SEE TABLE
- 3) WRAP LABEL IS MARKED WITH P/N, DATE CODE, VOLTAGE & AMPERAGE
- 4) MATES WITH: MINI CHANGE, 5 POLE RECEPTACLE
- 5) ELECTRICAL DATA:
 INLINE CORDSET
 FEMALE A-SIZE WITH FLYING LEADS
 16AWG UNSHIELDED
 POLES: 5
 MAX. VOLTAGE: 600V
 MAX. CURRENT 8A
 PROTECTION IP67
 TEMPERATURE RANGE: -20°C TO 105°C
- 6) PACKAGING:
 CABLE ASSEMBLIES ARE BAGGED SEPERATELY
 IN POLY BAGS WITH BAR CODE LABEL ATTACHED
 TO OUTSIDE OF BAG.
- 7) ASSEMBLY IS RoHS COMPLIANT.
- 8) CERTIFICATION
 UL RECOGNIZED, FILE NO. E152210
 CSA CERTIFIED, FILE NO. LR6837

ITEM	QTY.	DESCRIPTION	MATERIAL	FINISH
6	1	LABEL	PLASTIC FILM	BLACK/YELLOW
5	5	CONTACT SOCKET	COPPER ALLOY	GOLD PLATED
4	1	INSERT	PVC	YELLOW
3	1	COUPLING NUT	ZINC DIE CAST	BLACK E-COATED
2	1	OVERMOLD	PVC	YELLOW
1	1	CABLE, 16AWG-5 TYPE STOOD	PVC	YELLOW



WIRING DIAGRAM

RELEASE EC NO: WNA2010-0418 DRWN: BWOODMAN2009/12/29 CH'KD: VOU APPR: JFMURPHY 2010/01/08 DESCRIPTION	QUALITY SYMBOL	GENERAL TOLERANCES (UNLESS SPECIFIED)		DIMENSION STYLE		SCALE	DESIGN UNITS	THIRD ANGLE PROJECTION		
	$\nabla=0$ $\sphericalangle=0$	4 PLACES	mm	INCH	IN/MM	1:1	INCH			
		3 PLACES	±---	±---	DRAWN BY	DATE	TITLE			
		2 PLACES	±0.13	±0.10	VOU	2009/12/30	MINI CHANGE ASSEMBLY 5-POLE FEMALE 90D 16/5 AWG PVC AUTO			
	1 PLACE	±0.25	±0.20	APPROVED BY	DATE	MOLEX INCORPORATED				
		ANGULAR ±1/2°		JFMURPHY	2010/01/07	DOCUMENT NO. SD-130006-032				
		DRAFT WHERE APPLICABLE MUST REMAIN WITHIN DIMENSIONS		SEE CHART		SHEET NO. 1 OF 1				
		THIS DRAWING CONTAINS INFORMATION THAT IS PROPRIETARY TO MOLEX INCORPORATED AND SHOULD NOT BE USED WITHOUT WRITTEN PERMISSION								