

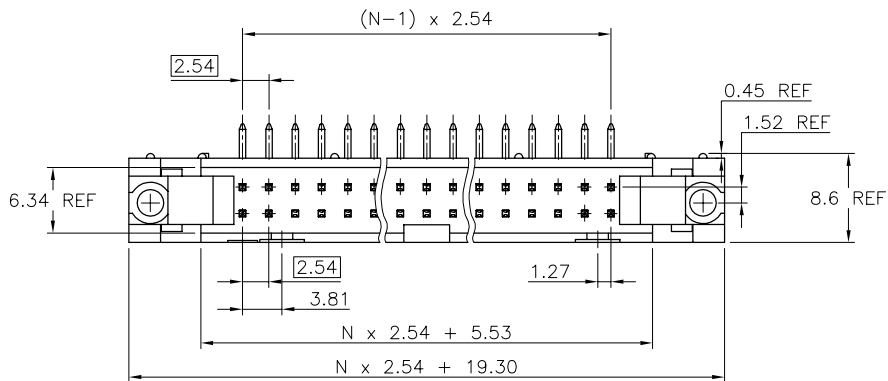
PRODUCT NUMBER

71922 - Y X X

LATCHING

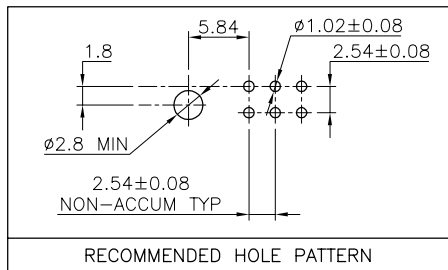
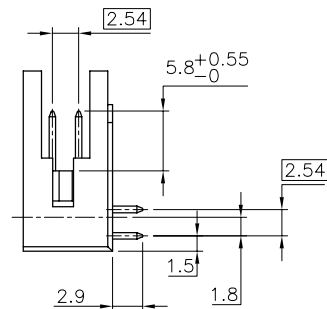
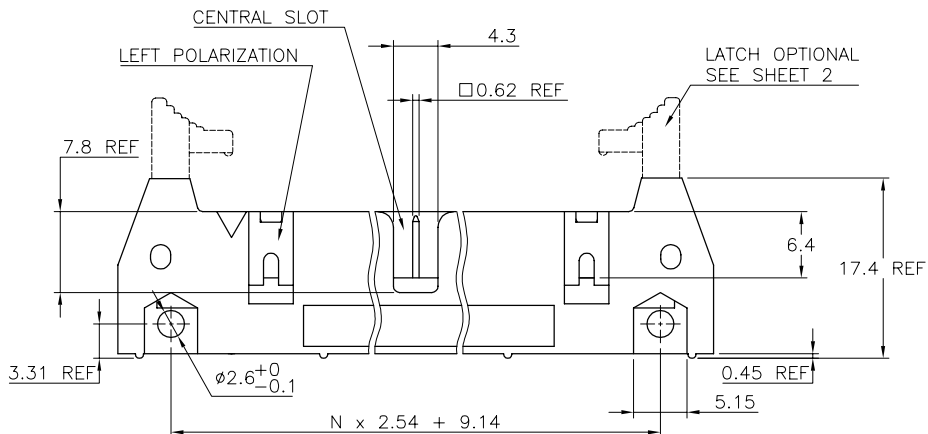
- 0 = WITHOUT LATCH
- 1 = STANDARD LATCH
- 2 = LOW PROFILE LATCH

TOTAL NB OF POSITIONS  
6 TO 64



NOTES:

- 1 - HOUSING MAT'L : GLASS FILLED THERMOPLASTIC. UL94V-0 COLOR: GREY
- 2 - PIN MATERIAL : PHOSPHOR BRONZE
- 3 - PRODUCTS PACKED IN TUBES
- 4 - 40N MIN LATCH RETENTION FORCE AT FIRST EXTRACTION
- 5 - TO DETERMINE DIMENSIONS :  
N = NUMBER OF POSITIONS PER ROW  
EXAMPLE : 8 POS N x 2.54 = 20.32mm
- 6 - NO CENTRAL SLOT ON POSITIONS 6 & 8
- 7 - NO LEFT POLARIZATION ON POSITIONS 06, 08, 10, 14.
- 8 - 4.5mm SOLDER TAIL  
ORDER 71922-4XX (WITH STANDARD LATCH ONLY)



mat'l. code		tolerances unless otherwise specified		CUSTOMER COPY		 <b>ELECTRONICS</b> www.fciconnect.com
SEE NOTES				projection		
ltr	ecn no dr	date	linear	xx ±0.3	title SHR.EL.HEADER RA DR TMT product family QUICKIE code 213 size dwg no 71922 sheet 1 of 2	
M	F04-0121	LMU 04.01.27		.xx ±0.15		
N	F04-0176	LMU 04.04.22		.xxx ±0.05		
P	F04-0325	JCO 04.08.16	angles		scale 2:1 A3	
			dr	D.LE 01.01.24		
J	F10309	DLE 01.05.10	engr	JM.C 01.01.24		
K	F03042	JCO 03.02.25	chr	JF.N 01.01.24		
L	F03-0257	LMU 03.08.31	appd	JM.C 01.01.24		
sheet index	revision	P K				
	sheet	1 2				

