

MATERIALS AND FINISHES

BODY BRASS  
PLATED GOLD

CENTER CONTACT BRASS  
PLATED GOLD

INSULATOR TEFLON

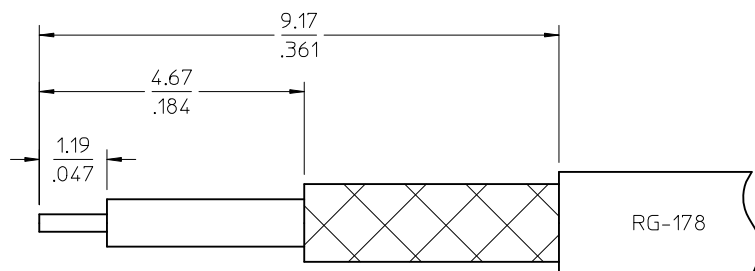
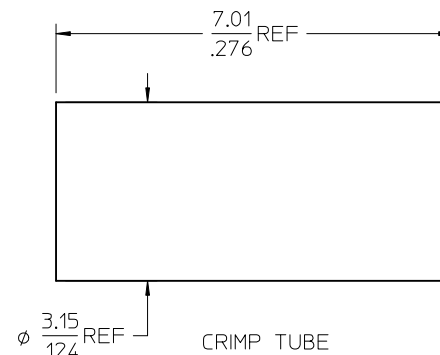
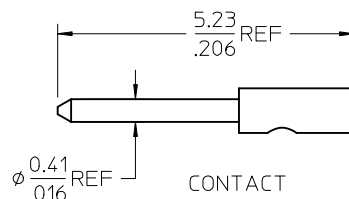
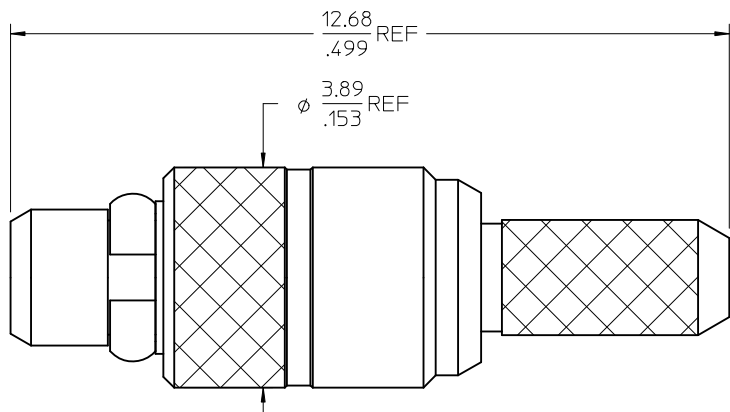
MMCX PLUG  
INTERFACE

0.13±0.13  
.005±.005

15.32  
.603 REF

2.67  
.105 HEX

RG178 CABLE



RECOMMENDED CABLE STRIP

CECC 22 340	INTERFACE
PS-89675-1920	ELECTRO/MECH. PERFORM.
SPECIFICATION	DESCRIPTION

73415-0972	P/N 73415-0971, ONE PIECE PER BAG
73415-0971	PER COMMERCIAL REQUIREMENTS, PACKAGING-BULK
73415-0970	PER MILITARY REQUIREMENTS, PACKAGING-BULK
PART NO.	PLATING AND PACKAGING

CHG: DELETE AS  
INTERFACE  
SPEC WAS  
ES-73599-0000-0150  
PS WAS -1900  
ADD STRIPS  
EC NO: URF2012-0021  
2011/07/18  
DRWN:WIENER  
2011/07/18  
CHKD:SSS  
2011/07/20  
APPR:WIENER  
2011/07/20

QUALITY SYMBOLS ▽=0 ▽=0	GENERAL TOLERANCES (UNLESS SPECIFIED)	DIMENSION STYLE MM/IN	SCALE	DESIGN UNITS METRIC	THIRD ANGLE PROJECTION
	4 PLACES ± --- ± --- 3 PLACES ± --- ± --- 2 PLACES ± --- ± --- 1 PLACE ± --- ± ---	mm INCH	DRAWN BY TEF	DATE 1999/02/15	TITLE MMCX PLUG, STRAIGHT 50 OHMS, FOR RG178 CABLE MMCX-PC
ANGULAR ± 2 °	DRAFT WHERE APPLICABLE MUST REMAIN WITHIN DIMENSIONS	SEE TABLE	APPROVED BY MISEN	DATE 2004/06/04	MOLEX INCORPORATED
REV B2		SIZE C	MATERIAL NO.	DOCUMENT NO.	SHEET NO. 1 OF 1