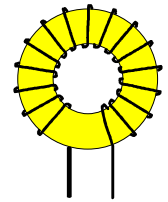


# POWER INDUCTORS

SENDUST MATERIAL ( Al & Si & Fe )



Although higher in core loss than MPP material, Sendust has approximately 50% more energy storage capacity. Sendust has approximately 2/3 the flux density of High Flux material, but has a much lower core loss. Sendust is an ideal tradeoff between storage capacity, core loss and cost.

Core Loss @50kHz	Core Loss @100kHz	Core Loss @300kHz
5657	16000	83138

Core Loss in mW/cm<sup>3</sup> @4000 Gauss

Core Loss Data is provided for comparison with other listed inductor materials and is for reference only.

Part Number	L <sup>(2)</sup> typ. (μH)	IDC <sup>(3)</sup> 20% Amps	IDC <sup>(4)</sup> 50% Amps	Lead Size AWG	I <sup>(5)</sup> max. Amps	DCR nom. (mΩ)	Size Code
L-14700	39.5	2.20	4.94	28	1.38	183	1
L-14701	23.4	2.85	6.42	26	1.97	89	1
L-14702 (K)	12.6	3.89	8.76	24	2.81	41	1
L-14703	68.0	2.07	4.66	28	1.38	255	2
L-14704	40.4	2.68	6.04	26	1.97	124	2
L-14705 (K)	23.1	3.55	7.98	24	2.81	59	2
L-14706	199.1	2.28	5.13	26	1.97	351	3
L-14707	119.5	2.95	6.63	24	2.81	170	3
L-14708 (K)	69.7	3.86	8.68	22	4.00	82	3
L-14709 (K)	40.4	5.06	11.39	20	5.70	39	3
L-14710 (K)	31.0	5.79	13.02	19	6.81	27	3
L-14711	585.2	2.38	5.35	26	1.97	598	4
L-14712	352.8	3.06	6.89	24	2.81	290	4
L-14713 (K)	210.7	3.96	8.92	22	4.00	142	4
L-14714 (K)	123.2	5.18	11.66	20	5.70	68	4
L-14715 (K)	93.6	5.94	13.38	19	6.81	47	4
L-14716	609.7	2.76	6.21	24	2.81	469	5
L-14717	377.8	3.51	7.89	22	4.00	232	5
L-14718	232.1	4.47	10.06	20	5.70	114	5
L-14719	179.5	5.09	11.45	19	6.81	80	5
L-14720	133.6	5.90	13.27	18	8.11	55	5
L-14721	395.1	3.40	7.66	22	4.00	277	6
L-14722	236.6	4.40	9.89	20	5.70	134	6
L-14723	188.4	4.93	11.09	19	6.81	95	6
L-14724	145.7	5.60	12.61	18	8.11	66	6
L-14725	108.4	6.50	14.62	17	9.70	45	6
L-14726	741.3	4.75	10.68	20	5.70	207	7
L-14727	567.6	5.43	12.21	19	6.81	144	7
L-14728	448.4	6.10	13.74	18	8.11	102	7
L-14729	343.3	6.98	15.70	17	9.70	70	7
L-14730	264.4	7.95	17.89	16	11.60	49	7
L-14731	598.0	4.66	10.48	19	6.81	196	8
L-14732	468.4	5.26	11.84	18	8.11	137	8
L-14733	365.3	5.96	13.41	17	9.70	96	8
L-14734	284.4	6.75	15.20	16	11.60	67	8
L-14735	221.9	7.65	17.20	15	13.80	47	8
L-14736	604.0	5.17	11.64	18	8.11	172	9
L-14737	462.5	5.91	13.30	17	9.70	119	9
L-14738	371.4	6.60	14.84	16	11.60	85	9
L-14739	280.8	7.59	17.07	15	13.80	58	9
L-14740	219.1	8.59	19.32	14	16.60	41	9

Well Suited for Switch Mode Power Supplies and Regulator Applications.

**For Bare Coil Dimensions Refer to Drawing and Dimensions from Page 6**

Single Layer Wound

Leads are Pre-Tinned

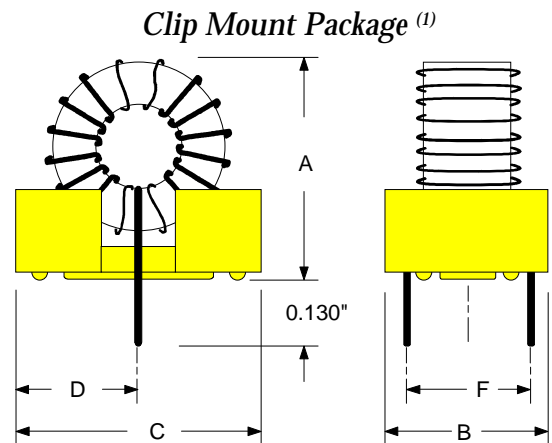
Custom Versions Available

Vertical Base Mounting Available

Shrink Tubing Optional

Varnish Finish Optional

Semi-Encapsulated Versions or Clip Mount Package Style Available for some models



Clip Mount Package Size Chart <sup>(1)</sup>

Size Code	Typical Dimensions in Inches				
	A	B	C	D	F
1	0.600	0.340	0.580	0.290	0.220
2	0.650	0.450	0.650	0.325	0.300
3	0.950	0.600	0.948	0.475	0.450
4	1.250	0.700	1.250	0.625	0.500

- Selected Parts available in Clip Mount Style. Example: L-14702K
- Typical Inductance with no DC. Tolerance of ±10%. See Specific data sheets for test conditions.
- Current which will produce a 20% reduction in L
- Current which will produce a 50% reduction in L
- Maximum DC current. This value is for a 40°C temperature rise due to copper loss, with AC flux density kept to 10 Gauss or less. (This typically represents a current ripple of less than 1%)

Specifications are subject to change without notice

SML-SD - 10/02