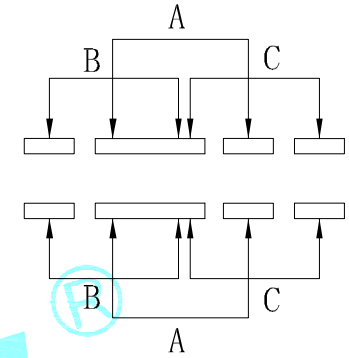
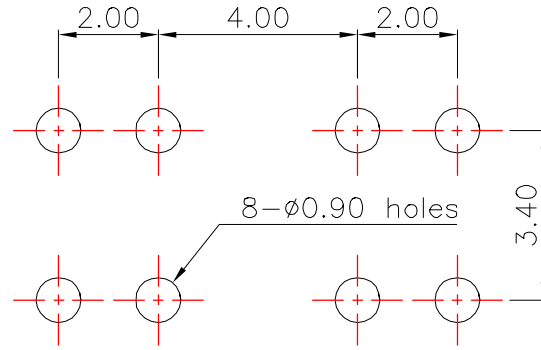
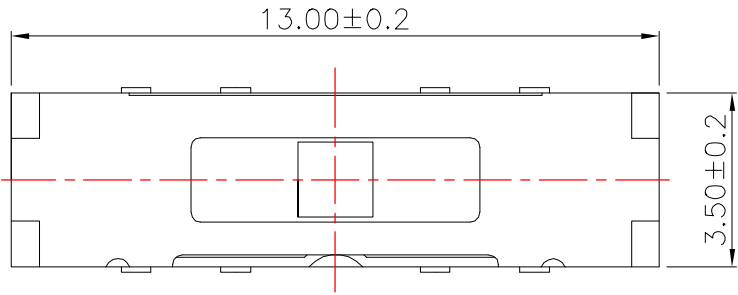
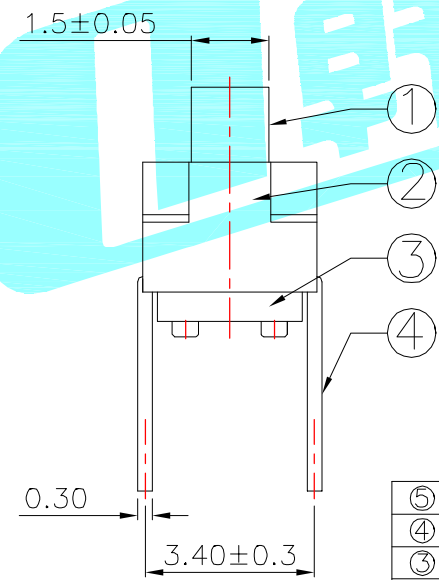
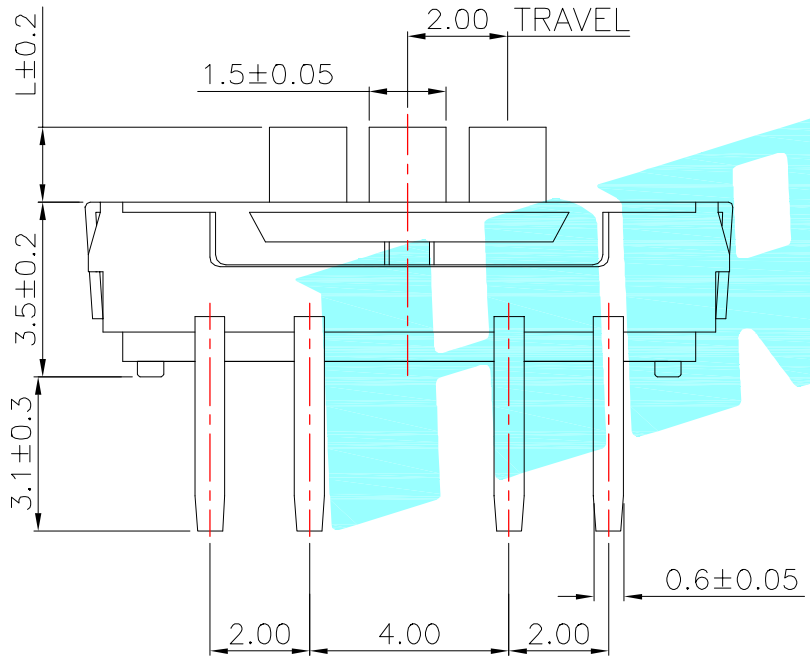


ROHS



PCB Layout(Pattern side)

Circuit Diagram



Typical Specifications :
 1. Rating : DC 6V 0.3A
 2. Life:10,000 Cycles Min.

PART NO.	L	Operating force
K3-2336D-F1	2	250±100gf
K3-2336D-K1	3	
K3-2336D-L1	4	

⑤	Contact Spring	—	2	Beryllium copper	Ag Plated	—
④	Terminal	—	8	Brass Strip	Ag Plated	—
③	Base	—	1	NYLON	Black	—
②	Cover	—	1	SUS	Natural	—
①	KNOB	—	1	NYLON	White	—
ITEM	PART NAME	TER'NO.	QTY.	MATERIAL	FINISHING	REMARK

APPROVALS		DATE		 ELECTRONICS CO.,LTD				
DRAWN	J.X.Zhang	2013/9/26					TITLE:	TOGGLE SWITCHES
CHECKED				PART NO.				
APPROVALS								
TOLERANCES ARE			30~以上	±0.30	ANGLE	UNIT: mm	SCALE: 1:1	PROJ:
			10~30	±0.20				
			5~10	±0.15				
			~ 5	±0.10				
				±2'	DRAWING NO.			SHEET 1 OF 1

ECN NO.	REV.	DATE.	DESCRIPTION.	CHANGE.	CHECK.	APPRO.
	A		NEW			