

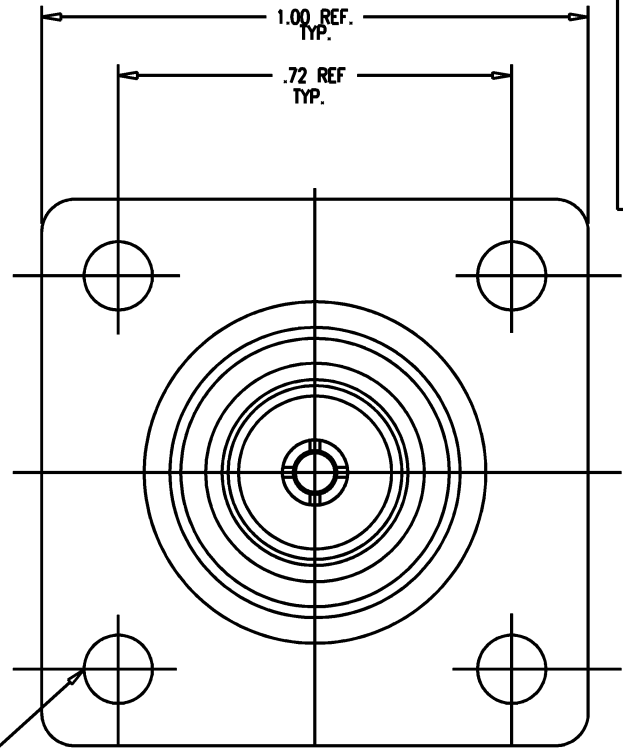
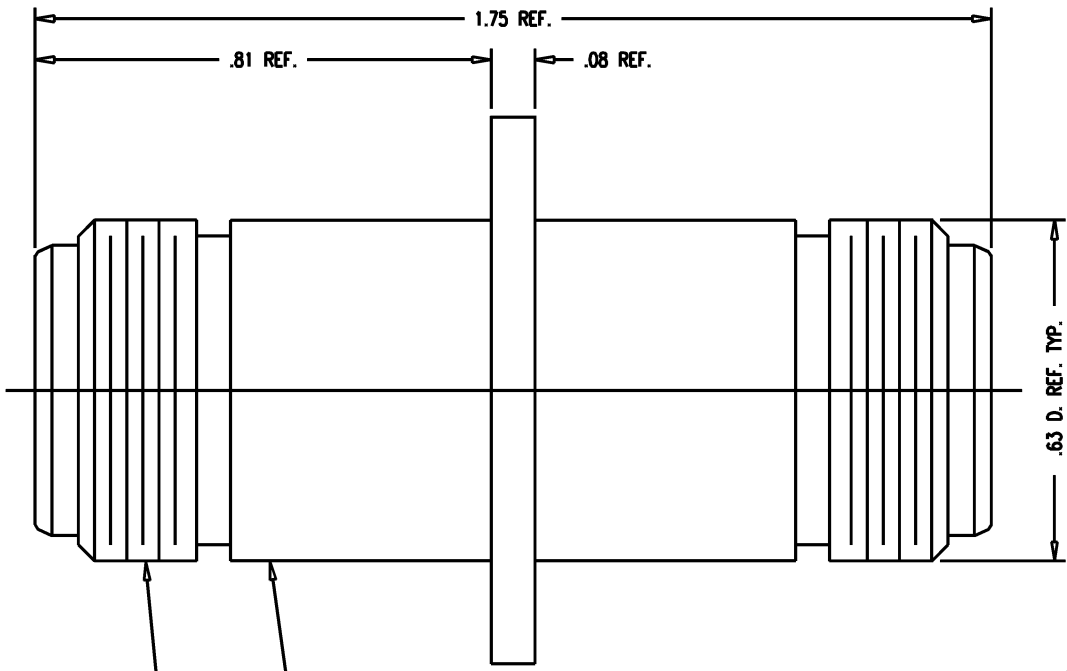
DASH NO.	M CODE	MADE FROM
----------	--------	-----------

GSD

KN-99-14

REVISIONS

ISSUE	CHANGES
1	CN 7536 A JM 05/19/69
2	CN 14842 A MJB 09/19/75
3	CN 16690 E GA 03/29/77
4	CN 19439 C GMF 06/19/79
5	CN 38718 E BDH 11/12/02



STAMP: KINGS KN-99-14
YRWK (DATE CODE)
5/8-24 UNEF-2A TH'D TYP.

- NOTES:**
- INTERFACES PER MIL-STD-348, FIG. 304-2.
 - MATERIALS:
INSULATORS: TEFLON, ASTM-D-1457
CONTACTS: BER. COP., ASTM-B-196
ALL OTHER PARTS: BRASS, ASTM-B16
 - FINISHES:
ALL METAL PARTS: SILVER PLATE PER QQ-S-365
 - ELECTRICAL CHARACTERISTICS:
NOMINAL IMPEDANCE: 50 OHMS
VOLTAGE RATING: 1000 VRMS
FREQUENCY RANGE: DC TO 11 GHz

SCALE 4:1

APPROX SURFACE AREA

USED ON

REF:

ADAPTER, PNL, F-F, N

DRAWN MAC DATE 07/14/60

DESIGN DATE

APPR. DATE



GSD

KN-99-14

JCAX1964