

**PLEASE CHECK WWW.MOLEX.COM FOR LATEST PART INFORMATION**

**Part Number:** [0191930116](#)  
**Status:** **Active**  
**Description:** VersaKrimp™ Ring Tongue Terminal for 10-12 AWG Wire

**Documents:**

[Drawing \(PDF\)](#) [RoHS Certificate of Compliance \(PDF\)](#)

**Agency Certification**

CSA LR18689  
 UL E32244

**General**

Product Family Ring and Spade Terminals  
 Series [19193](#)  
 Crimp Quality Equipment Yes  
 Mil-Spec N/A  
 Product Name VersaKrimp™  
 Type Ring

**Physical**

Barrel Type Closed - Brazed  
 Insulation None  
 Material - Plating Mating Tin  
 Packaging Type Bag  
 Plating min: Mating (µin) 100  
 Plating min: Mating (µm) 2.5  
 Plating min: Termination (µin) 100  
 Plating min: Termination (µm) 2.5  
 Stud Size 1/4" (M6)  
 Termination Interface: Style Crimp or Compression  
 Wire Size AWG 10, 12  
 Wire Size mm² 3.00 - 5.40

**Material Info**

Old Part Number C-330-14

**Reference - Drawing Numbers**

Sales Drawing SD-19193-024



**EU RoHS**

**ELV and RoHS Compliant**  
**REACH SVHC Contains SVHC: No**  
**Halogen-Free Status**

**China RoHS**



**Need more information on product environmental compliance?**

Email [productcompliance@molex.com](mailto:productcompliance@molex.com)  
 For a multiple part number RoHS Certificate of Compliance, [click here](#)

Please visit the [Contact Us](#) section for any non-product compliance questions.

**Search Parts in this Series**

[19193Series](#)

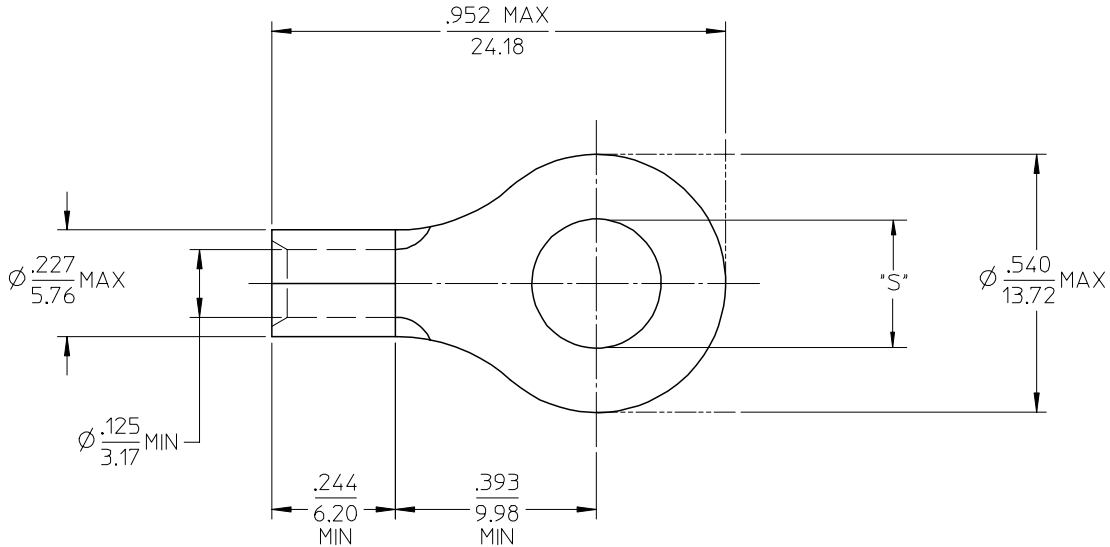
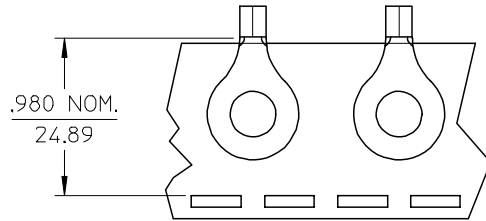
**Application Tooling | [FAQ](#)**

*Tooling specifications and manuals are found by selecting the products below. Crimp Height Specifications are then contained in the Application Tooling Specification document.*

**Global**

Description	Product #
Hand Crimp Tool	<a href="#">0640030100</a>
Crimp Head for the AT-200™ Pneumatic Hand Tool	<a href="#">0640070100</a>

MATERIAL NO. LOOSE PIECE	ENG. NO.	MATERIAL NO. TAPE MOUNTED	ENG. NO.	STUD SIZE	±.003 "S"	STOCK THICKNESS
191930114	C-330-10	191930115	C-330-10T	10	.198	.040 (1.02)
191930116	C-330-14	191930118	C-330-14T	1/4	.265	
191930120	C-330-56	191930122	C-330-56T	5/16	.328	



# SALES DRAWING

- NOTE(S):
1. MATERIAL: COPPER
  2. PLATING: ELECTROPLATE TIN
  3. ALL DIMENSIONS IN INCHES/(MM).
  4. WIRE SIZE: 12-10 AWG  
4.0-6.0 MM<sup>2</sup>

REVISED/UPDATE TO MX STD	EC NO: ETC2003-0315	DRWN:DMYRICK 2003/08/20	CHKD:HEB 2003/08/21	APPR:RDEROSS 2003/08/21	DESCRIPTION	QUALITY SYMBOLS	GENERAL TOLERANCES (UNLESS SPECIFIED)		SCALE 4:1	DESIGN UNITS INCH	THIRD ANGLE PROJECTION	REVISE ON CAD ONLY	
						▼ = 0 ▽ = 0	4 PLACES	mm	INCH	DIMENSION STYLE IN/MM		TITLE	RING TONGUE TERMINAL VERSAKRIMP 12-10 AWG
							3 PLACES	± ---	± ---	DRAWN BY	DATE		
							2 PLACES	± 0.13	± .01	DLM	03/06/13		
1 PLACE	± 0.25	± ---	CHECKED BY	DATE	HEB	03/06/13	MATERIAL NO. (SEE CHART) SD-19193-024		DOCUMENT NO. SD-19193-024	SHEET NO. 1 OF 1			
DRAFT WHERE APPLICABLE						MUST REMAIN WITHIN DIMENSIONS		THIS DRAWING CONTAINS INFORMATION THAT IS PROPRIETARY TO MOLEX INCORPORATED AND SHOULD NOT BE USED WITHOUT WRITTEN PERMISSION					