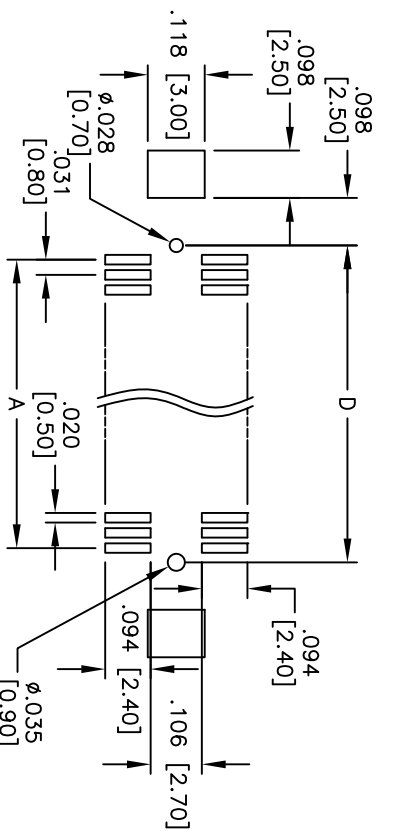
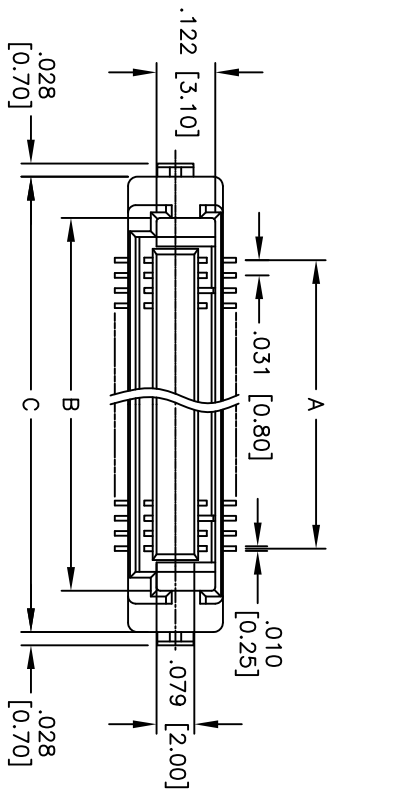
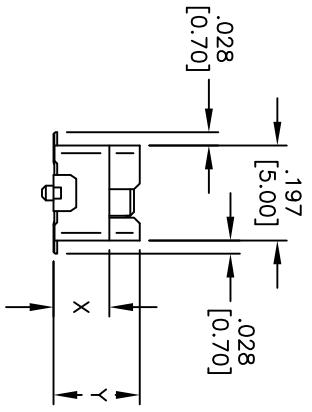
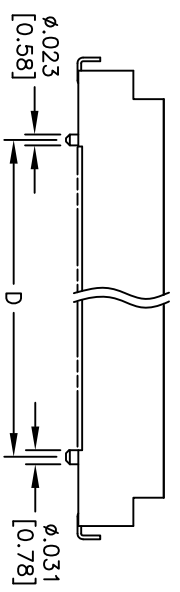


Rev	AWO #	Description	Date	Appr
-		RELEASED	11/29/10	

APPROVED: _____
 DATE: _____ TITLE: _____



RECOMMENDED PCB LAYOUT



ADAM P/N	X	Y
BB8-SED-XX-G-4.40-T/R	.112 [2.85]	.173 [4.40]
BB8-SED-XX-G-6.55-T/R	.197 [5.00]	.258 [6.55]
BB8-SED-XX-G-9.55-T/R	.315 [8.00]	.376 [9.55]
BB8-SED-XX-G-12.55-T/R	.433 [11.00]	.494 [11.00]

SPECIFICATIONS:
 Material: Insulator: Hi-temp thermoplastic, rated UL 94V-0
 Insulator color: Black
 Contacts: Copper Alloy
 Hold down: Copper Alloy
 Plating: Gold flash over Nickel underplate overall.
 Electrical: Operating voltage: 200 VAC max.
 Current rating: 0.5 Amps max.
 Contact resistance: 70 mohms max. initial
 Insulation resistance: 100 Mohms min.
 Environmental: Lead free, RoHS compliant
 Recommended soldering temp: 260°C for 5 seconds

Positions: 20, 30, 40, 50, 60
 A = .031 [0.80] x (No. of Contacts per row - 1)
 B = .031 [0.80] x (No. of Contacts per row - 1)
 C = .031 [0.80] x (No. of Contacts per row - 1)
 D = .031 [0.80] x (No. of Contacts per row - 1) + .059 [1.50]

ADAM TECH

909 Railway Avenue, Union, NJ 07083
 Phone: 908-687-5000 Fax: 908-687-5710

TITLE: .031 [0.80] BOARD TO BOARD SOCKET, SMT TYPE
 4.4 MM HEIGHT, STACKING HEIGHT=2.85MM

UNLESS OTHERWISE SPECIFIED ALL DIMENSIONS ARE INCHES [MM]	INCHES .X ± .10 .XX ± .020 .XXX ± .015	HOLE SIZES ØXX ± .10 ØXXX ± .015 ØXXX ± .010	DATE	DATE
DRAWN	AY	11/29/10	11/29/10	
CHECKED	JL	11/29/10		
APPROVED				

