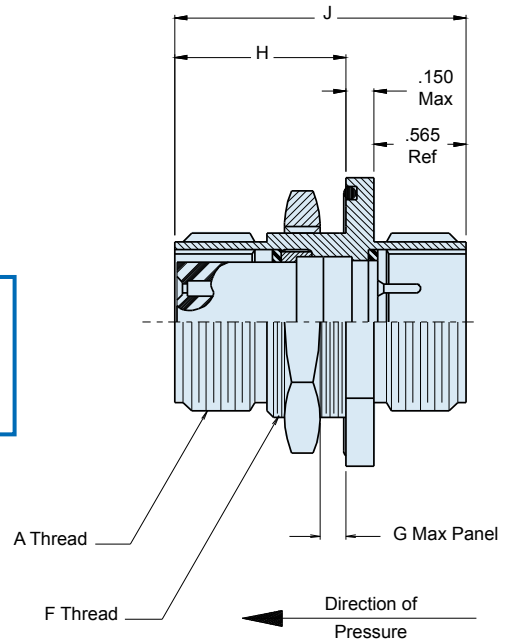
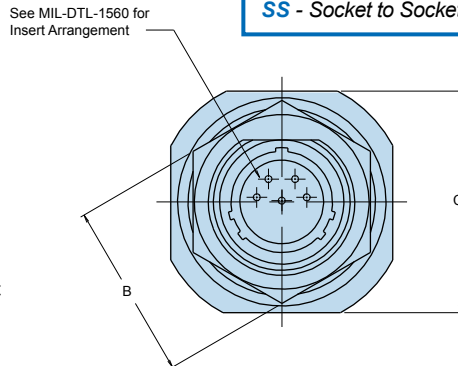
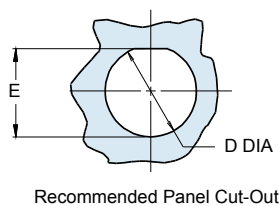
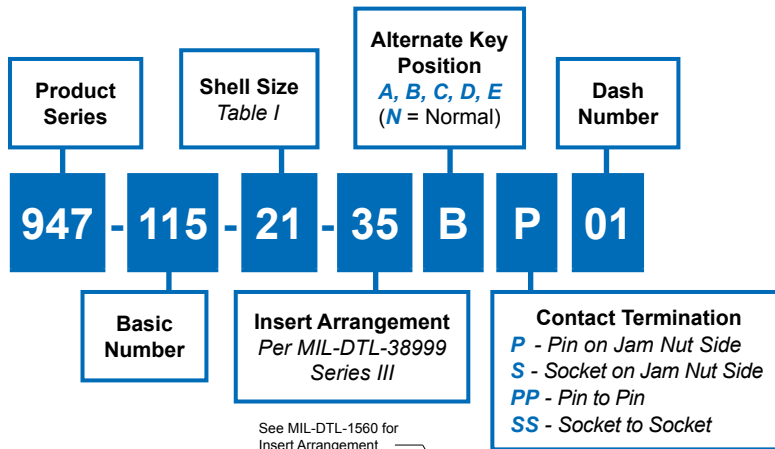


**947-115**  
**Jam Nut Mount Hermetic Bulkhead Feed-Thru**  
**.250/.500<sup>inch</sup> Panel**  
**MIL-DTL-38999 Series III Type**



MIL-DTL  
38999 Type



**B**

**TABLE I: CONNECTOR DIMENSIONS**

SHELL SIZE	A THREAD 0.1 P-0.3L-TS-2	B DIM	C DIM MAX	D DIA	E DIM	F THREAD x1-6g-0.100R
9	0.625	.875(22.2)	1.09(27.7)	.698(17.7)	.670(17.0)	M17
11	0.750	1.000(25.4)	1.28(32.5)	.822(20.9)	.770(19.6)	M20
13	0.875	1.250(31.8)	1.40(35.6)	1.010(27.6)	.955(24.3)	M25
15	1.000	1.375(34.9)	1.53(38.9)	1.135(28.8)	1.085(27.6)	M28
17	1.187	1.500(38.1)	1.66(42.2)	1.260(32.0)	1.210(30.7)	M32
19	1.250	1.625(41.3)	1.84(46.7)	1.385(35.2)	1.335(33.9)	M35
21	1.375	1.750(44.5)	1.97(50.5)	1.510(38.4)	1.460(37.1)	M38
23	1.500	1.875(47.6)	2.09(53.1)	1.635(41.5)	1.635(41.5)	M41
25	1.625	2.000(50.8)	2.21(56.1)	1.760(44.7)	1.710(43.4)	M44

**HERMETIC LEAK RATE MOD CODES**

Designator	Required Leak Rate
-585A	1 x 10 <sup>-10</sup> cc's Helium per second
-585B	1 x 10 <sup>-9</sup> cc's Helium per second
-585C	1 x 10 <sup>-8</sup> cc's Helium per second

**TABLE III: PANEL THICKNESS**

DASH NO	G MAX	H MAX	J MAX
01	.250(6.4)	1.08(27.4)	1.79(45.5)
02	.500(12.7)	1.33(33.8)	2.04(51.8)

**APPLICATION NOTES**

- Assembly identified with manufacturer's name and PN, space permitting.
- For pin/pin and skt/skt, symmetrical layouts only, consult factory for available insert arrangements.
- Power to a given contact on one end will result in power to contact directly opposite, regardless of identification letter.
- Hermeticity = less than 1 x 10<sup>-7</sup> cc/sec at one atmosphere. Not for use in liquid atmosphere.
- Electrical safety limits must be established by user, peak voltage, switching surge, transient, etc. should be used to determine the safety of the application.
- Material/finish:  
 Shell, lock ring, jam nut—stainless steel/passivate  
 Contacts—copper alloy/gold plate and alloy 52/gold plate  
 Insulators—high-grade rigid dielectric/N.A. and full glass.  
 Seals—fluorosilicone/ N.A.
- Metric dimensions (mm) are indicated in parentheses.