

PLEASE CHECK WWW.MOLEX.COM FOR LATEST PART INFORMATION

Part Number: [0357980290](#)
Status: **Active**
Description: 8.00mm (.315") Pitch Wire-to-Board Header, Vertical, 1.78mm (.070") Tab, 2 Circuits, PP Polypropylene 94V-0, White

Documents:

[3D Model](#) [Product Specification PS-35798-001 \(PDF\)](#)
[Drawing \(PDF\)](#) [RoHS Certificate of Compliance \(PDF\)](#)

General

| | |
|----------------|-----------------------|
| Product Family | PCB Headers |
| Series | 35798 |
| Application | Wire-to-Board |
| Product Name | N/A |

Physical

| | |
|--------------------------------|-----------------|
| Breakaway | No |
| Circuits (Loaded) | 2 |
| Circuits (maximum) | 2 |
| Durability (mating cycles max) | 30 |
| First Mate / Last Break | No |
| Glow-Wire Compliant | No |
| Guide to Mating Part | No |
| Keying to Mating Part | None |
| Lock to Mating Part | Yes |
| Material - Plating Mating | Tin |
| Number of Rows | 1 |
| Orientation | Vertical |
| PC Tail Length (in) | 0.130 In |
| PC Tail Length (mm) | 3.30 mm |
| PCB Locator | Yes |
| PCB Retention | Yes |
| PCB Thickness Recommended (in) | 0.062 In |
| PCB Thickness Recommended (mm) | 1.60 mm |
| Packaging Type | Bag |
| Pitch - Mating Interface (in) | 0.315 In |
| Pitch - Mating Interface (mm) | 8.00 mm |
| Polarized to PCB | No |
| Shrouded | Partial |
| Stackable | No |
| Temperature Range - Operating | -40°C to +120°C |
| Termination Interface: Style | Through Hole |

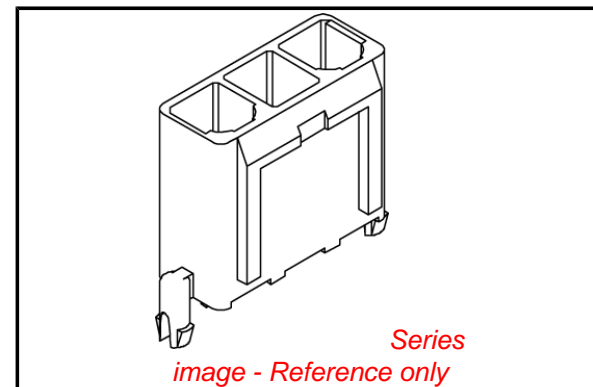
Electrical

| | |
|-------------------------------|------|
| Current - Maximum per Contact | 15A |
| Voltage - Maximum | 300V |

Material Info

Reference - Drawing Numbers

| | |
|-----------------------|--------------|
| Product Specification | PS-35798-001 |
| Sales Drawing | SD-35798-001 |



EU RoHS

ELV and RoHS Compliant
REACH SVHC
 Not Reviewed
Halogen-Free Status

China RoHS



Not Reviewed

Need more information on product environmental compliance?

Email productcompliance@molex.com
 For a multiple part number RoHS Certificate of Compliance, [click here](#)

Please visit the [Contact Us](#) section for any non-product compliance questions.

Search Parts in this Series

[35798Series](#)

Mates With

[35799 Wire-to-Board Housing](#)

DWG. NO.
SD-35978-001

SIMILAR ITEM

PROJECT NO.

B

DO NOT SCALE DRAWING
DIMENSION IN METRIC

8 7 6 5 4 3 2 1

F

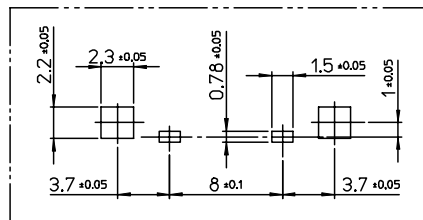
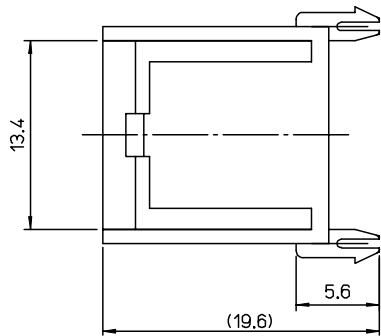
E

D

C

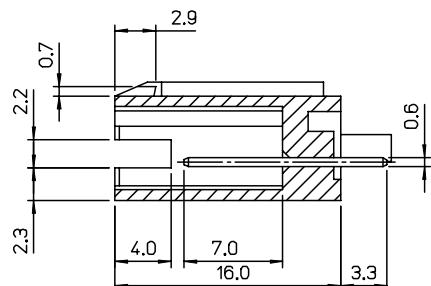
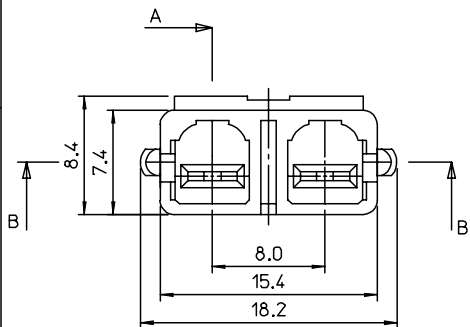
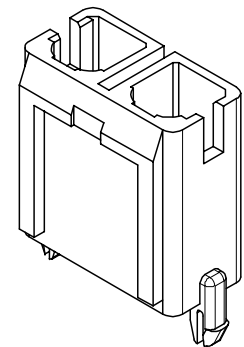
B

A

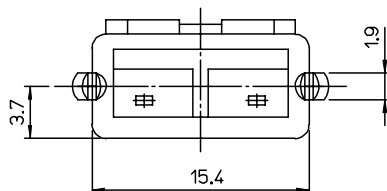


(RECOMMENDED PCB HOLE LAYOUT)

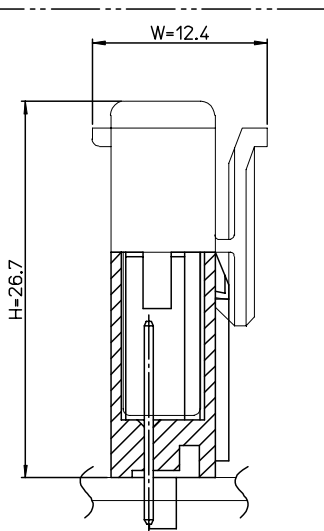
PCB THICKNESS=1.6mm



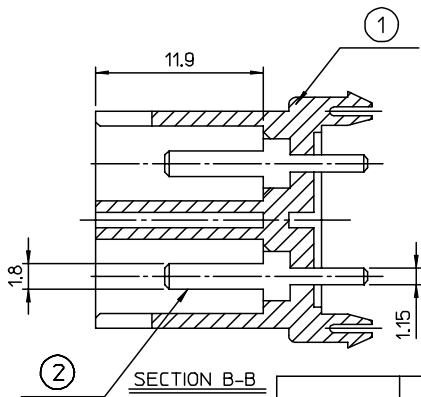
SECTION A-A



| TABLE1 | | ASS'Y PART | |
|--------|-------------------|---------------------------|--|
| | DESCRIPTION | MATERIAL | |
| ① | HEADER HOUSING-2P | POLYPROPYLENE (UL94V-0) | |
| | | NYLON66 (UL94V-2) | |
| ② | 0.6THICKNESS TAB | BRASS PRE-TIN PALATING | |



MATED VIEW



SECTION B-B

| TABLE2 | MATERIAL NO. | ENG NO. | MATED HOUSING | HEADER HOUSING | |
|--------|--------------|------------|---------------|-------------------------|---------|
| | | | | MATERIAL | COLOR |
| | 357980210 | 35798-0210 | 35799-0210 | NYLON66 (UL94V-2) | NATURAL |
| | 357980290 | 35798-0290 | 35799-0290 | POLYPROPYLENE (UL94V-0) | NATURAL |
| | 357980212 | 35798-0212 | 35799-0212 | NYLON66 (UL94V-2) | RED |
| | 357980292 | 35798-0292 | 35799-0292 | POLYPROPYLENE (UL94V-0) | RED |

| | | | | |
|---------|---------------------|-----------------------|-----------------|-----------------------------|
| REVISED | ECN NO. KR2005-0192 | DRWN: JB.JIN 05/04/21 | CHK: W.Y.YANG | APPR: CW.LEE |
| A1 | REV | DESCRIPTION | QUALITY SYMBOLS | MAJOR ▲ CRITICAL ▽ |

| | | | | |
|---|--------------|--|---|------------|
| GENERAL TOLERANCES: (UNLESS SPECIFIED) | SCALE 3:1 | DESIGN UNITS <input checked="" type="checkbox"/> mm <input type="checkbox"/> INCH | THIRD ANGLE <input checked="" type="checkbox"/> THIRD ANGLE PROJECTION | SHT REV |
|---|--------------|--|---|------------|

| | | | |
|---------------|----|--|---|
| 4 PLACES ±0. | ±- | DRAWN BY & DATE C.B.HIN 01/04/17 | TITLE: .070 W/B CONN. HEADER ASS'Y-2P |
| 3 PLACES ±0. | ±- | CHECKED BY & DATE B.K.CHOI 01/04/17 | MOLEX INCORPORATED |
| 2 PLACES ±0.3 | ±- | APPROVED BY & DATE C.W.LEE 01/04/17 | |
| 1 PLACE ±0.3 | ±- | CAD FILENAME S35978AA.MI | MATERIAL NO. SEE TABLE2 |

| | | |
|--------------|-----------------------------|---------------------|
| ANGULAR: ± ° | DRAWING NO. SD-35798-001 | SHEET NO. 1 OF 1 |
|--------------|-----------------------------|---------------------|

| | | | | |
|--|--|--|--|-----------|
| DRAFT WHERE APPLICABLE MUST REMAIN WITHIN DIMENSIONS | | THIS DRAWING CONTAINS INFORMATION THAT IS PROPRIETARY TO MOLEX INCORPORATED AND SHOULD NOT BE USED WITHOUT WRITTEN PERMISSION. | | SIZE B |
|--|--|--|--|-----------|