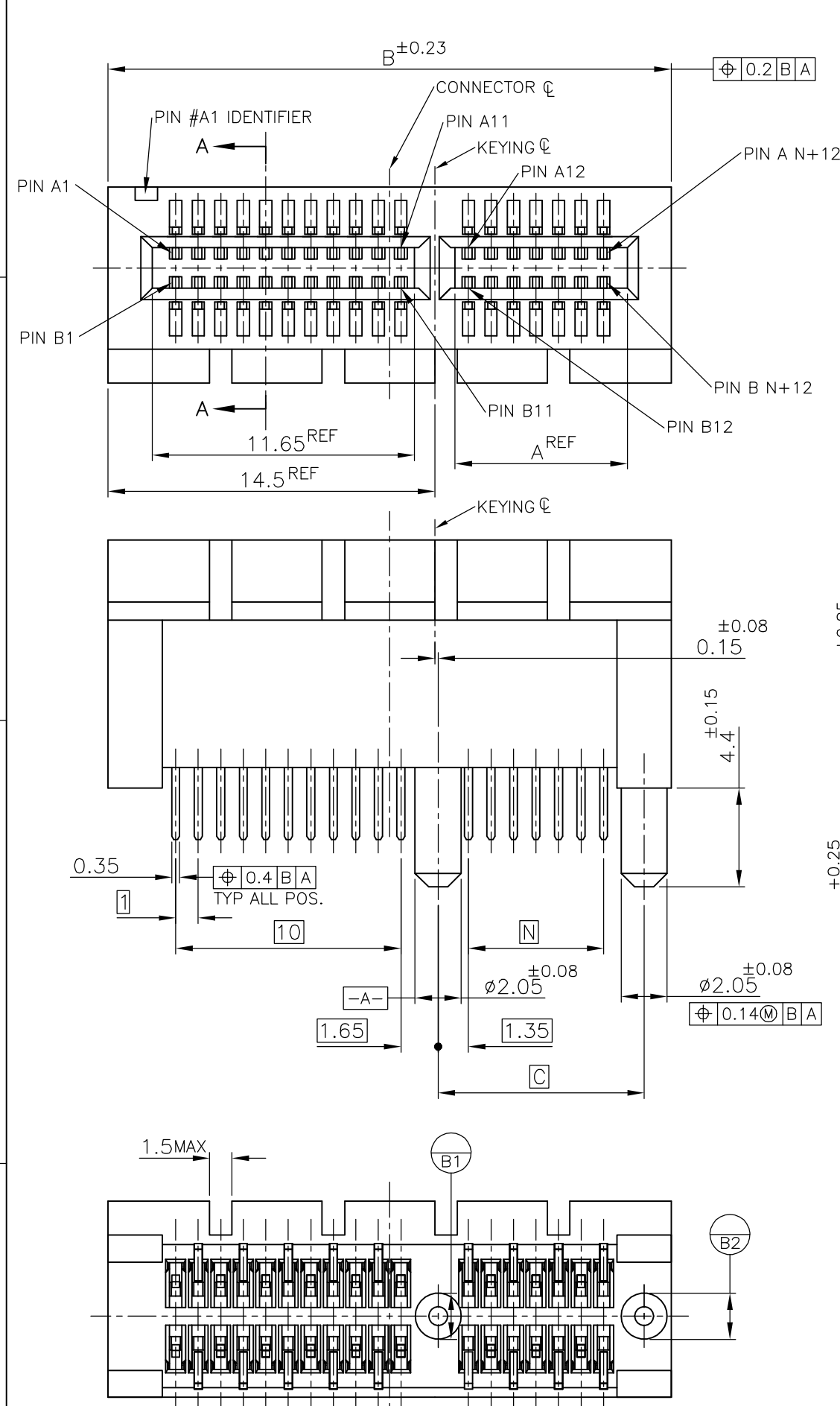


THIS DRAWING IS UNPUBLISHED. RELEASED FOR PUBLICATION FEB. 2003.
 © COPYRIGHT 2003 BY TYCO ELECTRONICS CORPORATION. ALL RIGHTS RESERVED.

LOC DW DIST

REVISIONS				
P	LTR	DESCRIPTION	DATE	APVD
J	REVISED	ECR-06-017657	12SEP06	S.H W.K

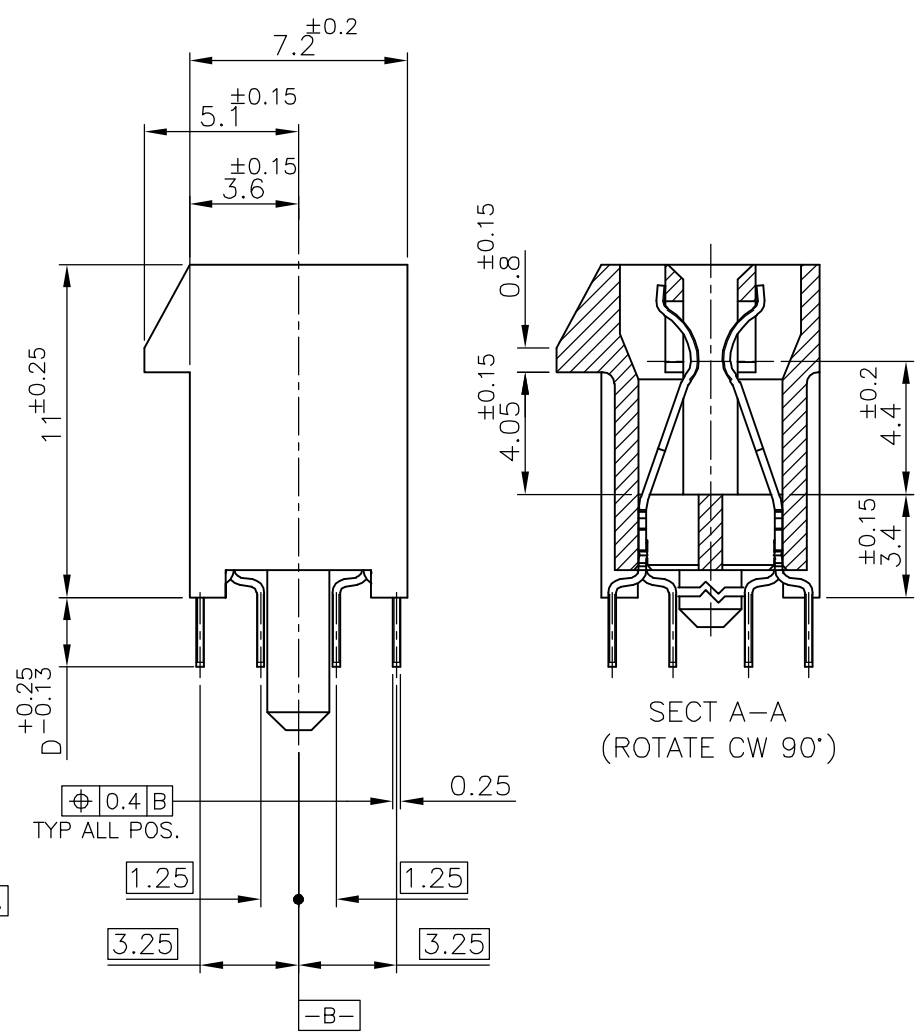


1 MATERIAL;
 HOUSING: HIGH TEMPERATURE THERMO PLASTIC
 UL94V-0, COLOR; BLACK
 CONTACT: COPPER ALLOY

2 FINISH;
 CONTACT AREA: GOLD PL. 0.05 µm MIN OVER NICKEL PL.
 TINE AREA: MATTE TIN PL. OVER NICKEL PL.

3 FINISH;
 CONTACT AREA: GOLD PL. 0.38 µm MIN OVER NICKEL PL.
 TINE AREA: MATTE TIN PL. OVER NICKEL PL.

4 FINISH;
 CONTACT AREA: GOLD PL. 0.76 µm MIN OVER NICKEL PL.
 TINE AREA: MATTE TIN PL. OVER NICKEL PL.



PRODUCTION	FINISH	N	D	C	B	A	POS.	PORT	P/N		
PRODUCING	▲	70	▲	73.15	89	71.65	164	16	8-	▲	-4
PRODUCING		37		40.15	56	38.65	98	8	8-		-3
PRODUCING		20		23.15	39	21.65	64	4	8-		-2
PRODUCING	▲	6		9.15	25	7.65	36	1	8-1612163-1		
PRODUCING	▲	70		73.15	89	71.65	164	16	6-	▲	-4
PRODUCING		37		40.15	56	38.65	98	8	6-		-3
PRODUCING		20		23.15	39	21.65	64	4	6-		-2
PRODUCING	▲	6	3.56	9.15	25	7.65	36	1	6-1612163-1		
PRODUCING	▲	70		73.15	89	71.65	164	16	5-	▲	-4
PRODUCING		37		40.15	56	38.65	98	8	5-		-3
PRODUCING		20		23.15	39	21.65	64	4	5-		-2
PRODUCING		6	3.1	9.15	25	7.65	36	1	5-1612163-1		
PRODUCING		70	▲	73.15	89	71.65	164	16	4-	▲	-4
PRODUCING		37		40.15	56	38.65	98	8	4-		-3
PRODUCING		20		23.15	39	21.65	64	4	4-		-2
PRODUCING	▲	6	2.3	9.15	25	7.65	36	1	4-1612163-1		
PRODUCING	▲	70	▲	73.15	89	71.65	164	16	3-	▲	-4
PRODUCING		37		40.15	56	38.65	98	8	3-		-3
PRODUCING		20		23.15	39	21.65	64	4	3-		-2
PRODUCING		6	3.1	9.15	25	7.65	36	1	3-1612163-1		
PRODUCING		70	▲	73.15	89	71.65	164	16	2-	▲	-4
PRODUCING		37		40.15	56	38.65	98	8	2-		-3
PRODUCING		20		23.15	39	21.65	64	4	2-		-2
PRODUCING	▲	6	2.3	9.15	25	7.65	36	1	2-1612163-1		
PRODUCING	▲	70	▲	73.15	89	71.65	164	16	1-	▲	-4
PRODUCING		37		40.15	56	38.65	98	8	1-		-3
PRODUCING		20		23.15	39	21.65	64	4	1-		-2
PRODUCING		6	3.1	9.15	25	7.65	36	1	1-1612163-1		
PRODUCING		70	▲	73.15	89	71.65	164	16		▲	-4
PRODUCING		37		40.15	56	38.65	98	8			-3
PRODUCING		20		23.15	39	21.65	64	4			-2
PRODUCING	▲	6	2.3	9.15	25	7.65	36	1			1612163-1
TOOLING STATUS	FINISH	N	D	C	B	A	POS.	PORT	P/N		

THIS DRAWING IS A CONTROLLED DOCUMENT.

DIMENSIONS: MM

TOLERANCES UNLESS OTHERWISE SPECIFIED:
 0-PLC ± ±0.3
 1-PLC ± ±2
 2-PLC ± ±
 3-PLC ± ±
 4-PLC ± ±
 ANGLES ±

MATERIAL: ▲ SEE TABLE

DWN K.KOBAYASHI 20FEB03
 CHK H.SHIRAI 21FEB03
 APVD Y.YAMAMOTO 21FEB03

tyco Electronics Tyco Holdings (Bermuda) VII LTD, Taiwan Branch

NAME: PCI EXPRESS CARD EDGE CONN. V-TYPE

PRODUCT SPEC: 108-5847

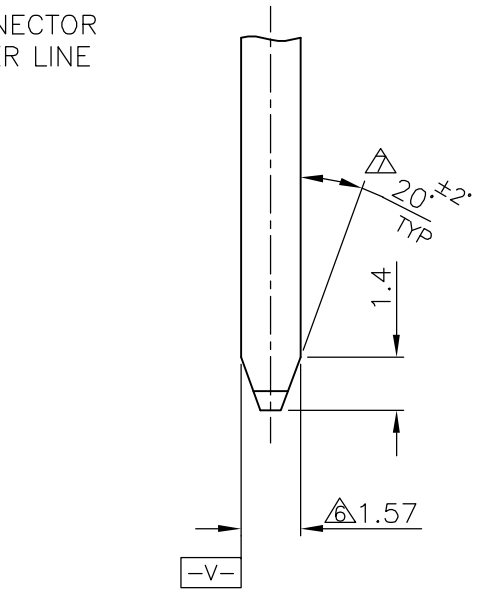
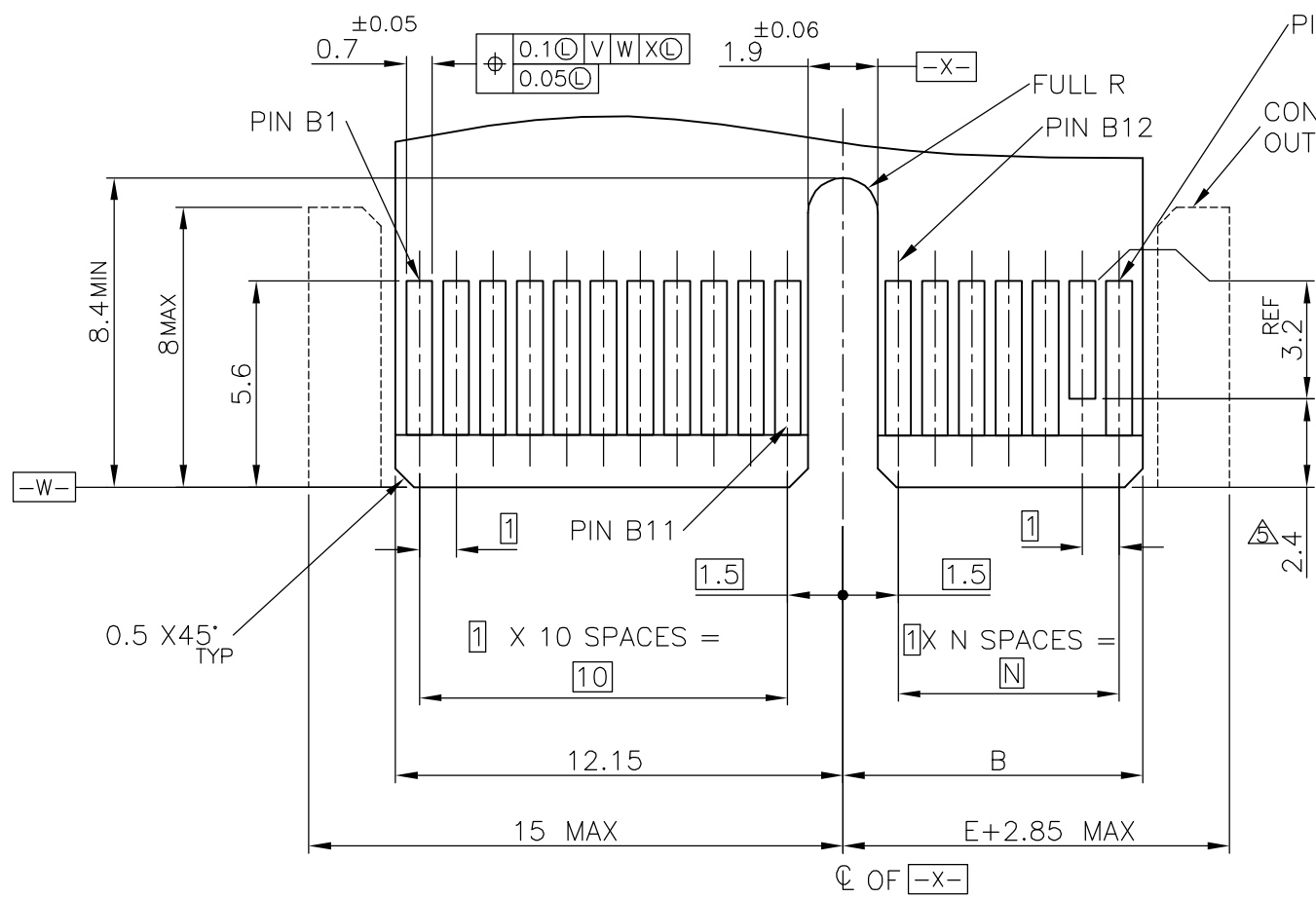
APPLICATION SPEC

SIZE: A3 CAGE CODE: 00779 DRAWING NO: C-1612163 RESTRICTED TO: -

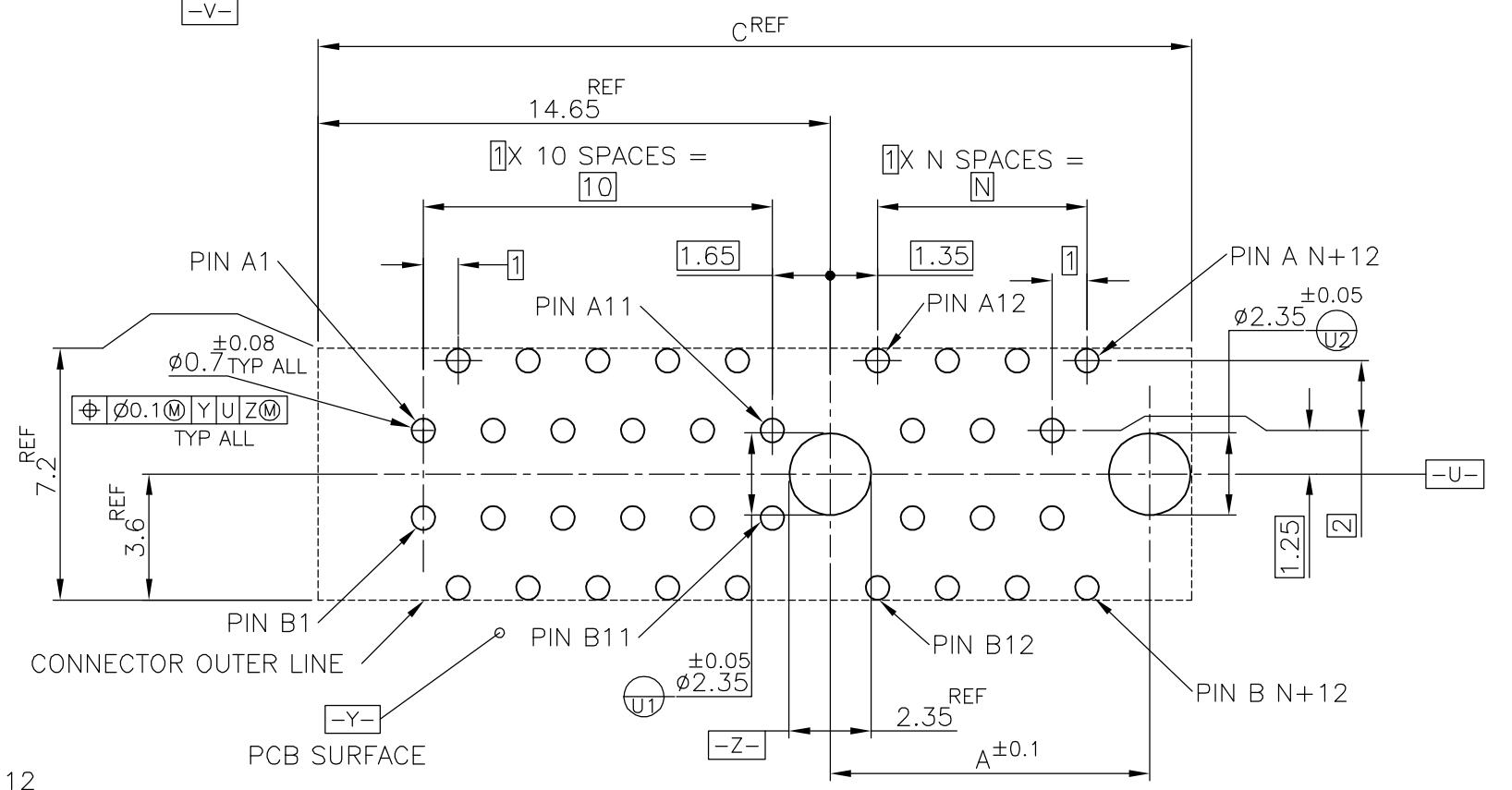
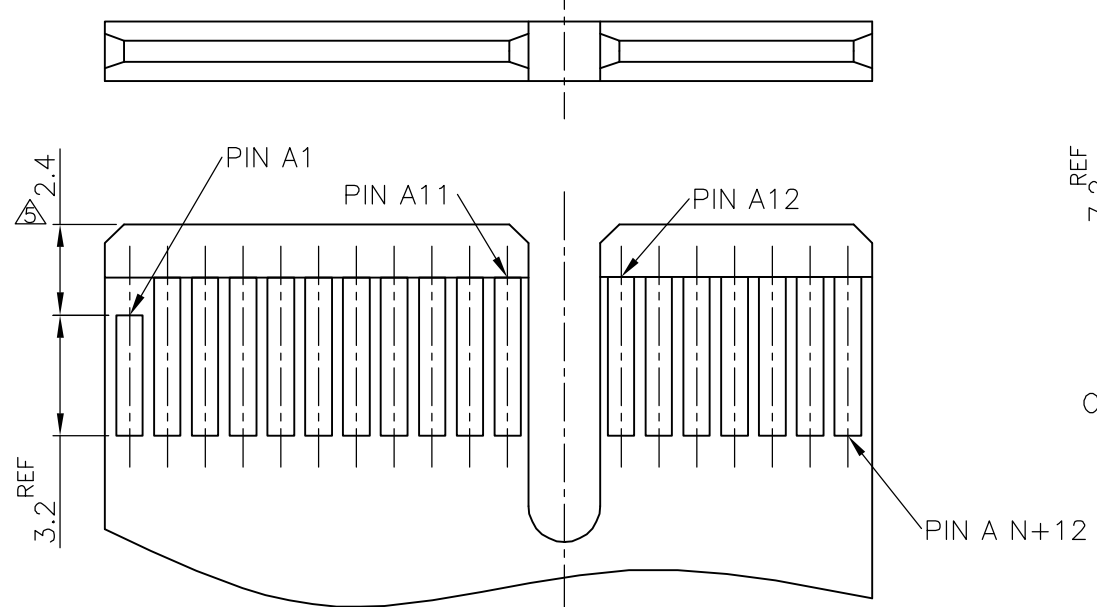
WEIGHT: CUSTOMER DRAWING SCALE: 4:1 SHEET: 1 OF 2 REV: J

THIS DRAWING IS UNPUBLISHED. RELEASED FOR PUBLICATION FEB ,2003.
 © COPYRIGHT 2003 BY TYCO ELECTRONICS CORPORATION. ALL RIGHTS RESERVED.

LOC	DIST	REVISIONS		
DW		P	LTR	DESCRIPTION
		-	-	SEE SHEET 1
				DATE
				DWN
				APVD



- 5 THIS DIMENSION IS ONLY APPLIED TO PRSNT PINS.
- 6 CARD THICKNESS APPLIES ACROSS TABS AND INCLUDES PLATING AND/OR METALIZATION.
- 7 CHAMFER EDGES MUST BE FREE OF CUTTING BURRS.
- 8 NO TIE BAR PERMITTED FROM CARD EDGE TO LEADING EDGE OF PAD FOR PRSNT PIN.
- 9 APPLICATION NOTE;
GOLD CONTACT PAD : ELECTROLESS GOLD PLATING 0.05μm MIN.
OVER ELECTROLESS Ni PLATING 2μm MIN.



PCB PATTERN LAYOUT

MODULE LAYOUT(MATING PART ONLY)

A1,B17,B31,B48,B81	89	72.15	73.15	70	164	16
A1,B17,B31,B48	56	39.15	40.15	37	98	8
A1,B17,B31	39	22.15	23.15	20	64	4
A1,B17	25	8.15	9.15	6	36	1
PRSNT PIN	C	B	A	N	POS.	PORT

THIS DRAWING IS A CONTROLLED DOCUMENT.

DIMENSIONS: MM	TOLERANCES UNLESS OTHERWISE SPECIFIED: 0-PLC ± ±0.13 1-PLC ± ±1 2-PLC ± ± 3-PLC ± ± 4-PLC ± ± ANGLES ± ± FINISH	DWN	CHK	APVD	PRODUCT SPEC	APPLICATION SPEC	WEIGHT	CUSTOMER DRAWING
				Tyco Holdings (Bermuda) VII LTD, Taiwan Branch		NAME PCI EXPRESS CARD EDGE CONN. V-TYPE		RESTRICTED TO
MATERIAL		SIZE		CAGE CODE		DRAWING NO		
		A3		00779		C-1612163		
		SCALE		SHEET		OF		REV
		8:1		2		2		J