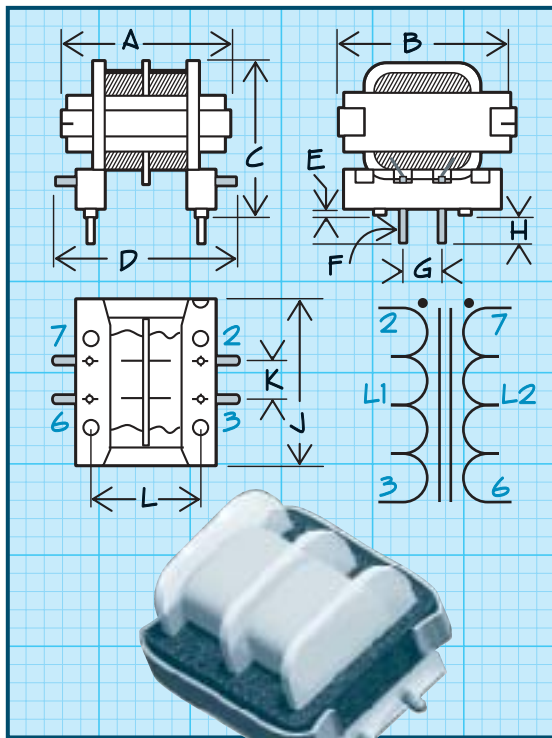


# Series CM9900

## PC Mount Common Mode Chokes



### Physical Parameters

	Inches	Millimeters
A	0.740 ± 0.025	18.8 ± 0.64
B	0.840 ± 0.025	21.3 ± 0.64
C	0.670 ± 0.025	17.0 ± 0.64
D	0.900 Ref.	22.9 ± 0.64
E	0.040 ± 0.025	1.0 ± 0.64
F	0.025 Sq. (Typ.)	0.64 Sq. (Typ.)
G	0.200 ± 0.010	5.1 ± 0.3
H	0.175 ± 0.010	4.4 ± 0.3
J	0.750 ± 0.025	19.1 ± 0.64
K	0.200 ± 0.010	5.1 ± 0.3
L	0.515 ± 0.010	13.1 ± 0.3

All dimensions are typical

**Operating Temperature Range** -55°C to +125°C

**Current Rating at 80°C Ambient** 40°C rise

**Mechanical Configuration** Tape wrapped winding sections; varnish impregnated assembly.

**Notes** 1) Inductance in table is for either L1 or L2.  
 2) Leakage Inductance tested at L1 with L2 shorted or at L2 with L1 shorted. 3) Windings balanced within 1%.

**Packaging** Bulk only

PART NUMBER	L (μH), L1 or L2 @ 1kHz ± 25%	DC RESISTANCE MAXIMUM (OHMS)	CURRENT RATING MAXIMUM (AMPS)	LEAKAGE IND. MAXIMUM (μH)
CM9900-473	47	0.016	3.5	4.0
CM9900-563	56	0.018	3.5	4.0
CM9900-683	68	0.019	3.5	5.0
CM9900-823	82	0.023	2.8	5.5
CM9900-104	100	0.025	2.8	6.0
CM9900-124	120	0.028	2.8	6.5
CM9900-154	150	0.030	2.8	7.5
CM9900-184	180	0.038	2.2	8.0
CM9900-224	220	0.044	2.2	9.0
CM9900-274	270	0.051	2.2	10
CM9900-334	330	0.058	1.7	11
CM9900-474	470	0.078	1.4	16
CM9900-564	560	0.091	1.4	18
CM9900-684	680	0.115	1.1	20
CM9900-824	820	0.131	1.1	25
CM9900-105	1000	0.194	0.88	35
CM9900-125	1200	0.219	0.88	47
CM9900-155	1500	0.278	0.70	49
CM9900-185	1800	0.306	0.70	59
CM9900-225	2200	0.431	0.55	76
CM9900-275	2700	0.469	0.55	91
CM9900-335	3300	0.531	0.55	101
CM9900-395	3900	0.669	0.44	135
CM9900-475	4700	0.760	0.44	158
CM9900-565	5600	0.853	0.44	196
CM9900-685	6800	1.24	0.35	257
CM9900-825	8200	1.40	0.35	296
CM9900-106	10000	1.61	0.35	362
CM9900-126	12000	1.98	0.27	410
CM9900-156	15000	2.24	0.27	503
CM9900-186	18000	2.45	0.27	602
CM9900-226	22000	3.49	0.22	730
CM9900-276	27000	4.60	0.17	870
CM9900-336	33000	5.21	0.17	1150
CM9900-396	39000	7.19	0.13	1300
CM9900-476	47000	7.80	0.13	1541
CM9900-566	56000	8.69	0.13	1875
CM9900-686	68000	9.69	0.13	2254
CM9900-826	82000	13.10	0.10	2702
CM9900-107	100000	14.60	0.10	3269
CM9900-127	120000	16.00	0.10	3456

TRANSFORMERS