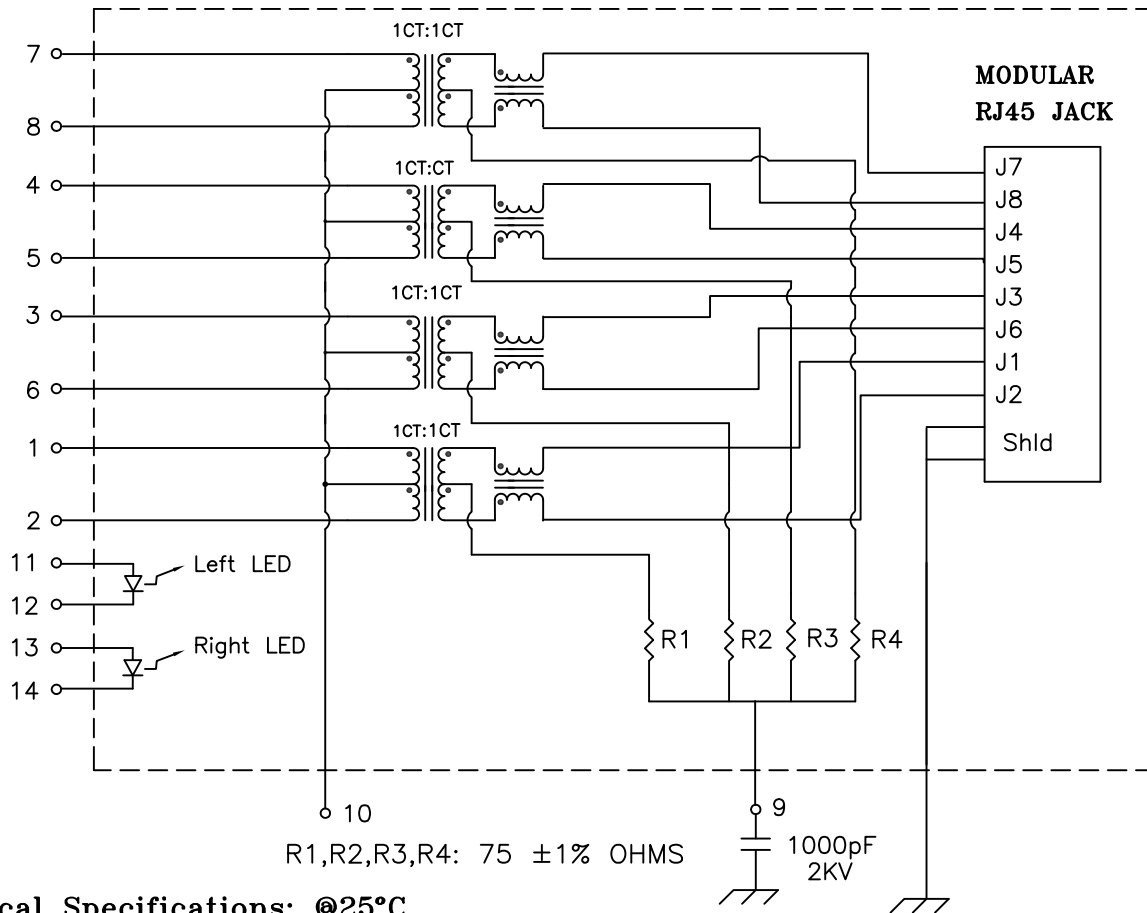


**Schematic:** (One of Four)



**Electrical Specifications: @25°C**

- ISOLATION: 1500 Vrms
- URNS RATIO: (PRI/SEC) 1CT:1CT ±2%
- OCL: 350uH MIN @100KHz 100mV 8mADC
- Rise Time: 1.75ns Max.
- INSERTION LOSS: -1.0dB MAX @1MHz-100MHz  
-1.5dB MAX @100-125MHz
- RETURN LOSS: -18dB Typ @1-30MHz  
-15dB Typ @40MHz -13.1dB Min @50MHz  
-12dB Min @60-80MHz -10dB Min @100MHz
- Differential to Common Mode Rejection:  
-43dB Min @30MHz -37dB Min @80MHz  
-33dB Min @100MHz
- CMRR: -30dB Min @1-100MHz
- Crosstalk: -45dB Min @30MHz  
-40dB Min @60MHz -35dB Min @100MHz
- Q: 8 Min @100KHz 0.1V

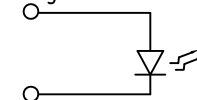
**Notes:**

1. Solderability: Leads shall meet MIL-STD-202G, Method 208H for solderability.
2. Flammability: UL94V-0
3. ASTM oxygen index: > 28%
4. Insulation System: Class F 155°C. UL file E165866
5. Operating Temperature Range: All listed parameters are to be within tolerance from -40°C to +85°C
6. Storage Temperature Range: -55°C to +125°C
7. Aqueous wash compatible
8. Electrical and mechanical specifications 100% tested
9. RoHS Compliant Component

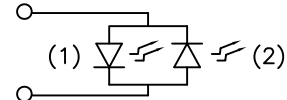
Complete the Combo P/N as follows:

Replace 'x' & 'u' in the part number with one of the LED color letters:  
 Y=Yellow 'x' = Left LED Color  
 G=Green 'u' = Right LED Color  
 A=Amber  
 R=Red  
 C=Green(1)/Amber(2) Bicolor  
 D=Amber(1)/Green(2) Bicolor  
 M=Green(1)/Yellow(2) Bicolor  
 N=Yellow(1)/Green(2) Bicolor  
 P=Red(1)/Green(2) Bicolor  
 Q=Green(1)/Red(2) Bicolor  
 E=Red(1)/Yellow(2) Bicolor  
 F=Yellow(1)/Red(2) Bicolor  
 H=Amber(1)/Yellow(2) Bicolor

Single Color LED:



Bi-Color LED:



DOC REV: A/8

**PROPRIETARY:**

Document is the property of XFMRs Group & is not allowed to be duplicated without authorization.

**XFMRs Inc**  
www.XFMRs.com

UNLESS OTHERWISE SPECIFIED  
TOLERANCES:  
.xxx ±0.010  
Dimensions in Inch

SHEET 1 OF 2

Title: FOUR PORT COMBO

P/N: XFGIB100-CLxu4-4MS

REV. A

DWN.

Yuan

Nov-08-12

CHK.

YK Liao

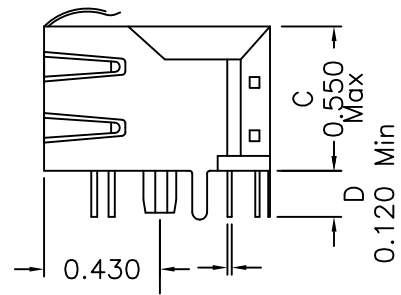
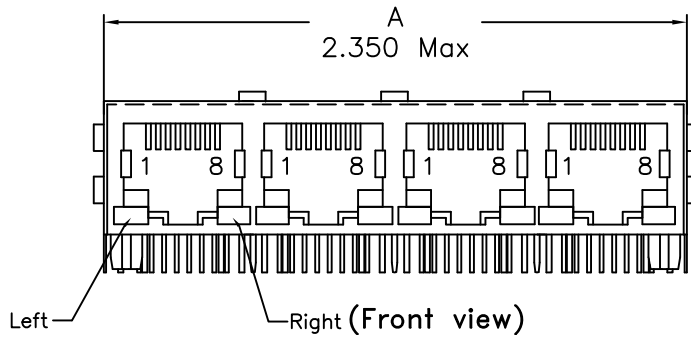
Nov-08-12

APP.

BSJ

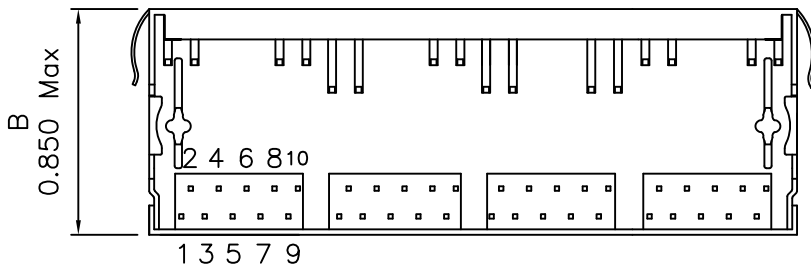
Nov-08-12

# Mechanical Dimensions: (FOR CLXu4-4MS)

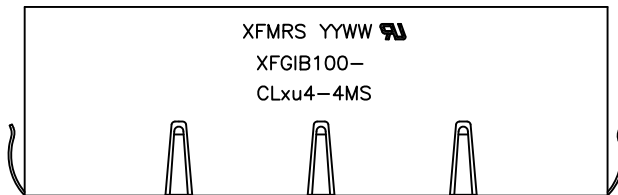


SQ 0.015±0.005

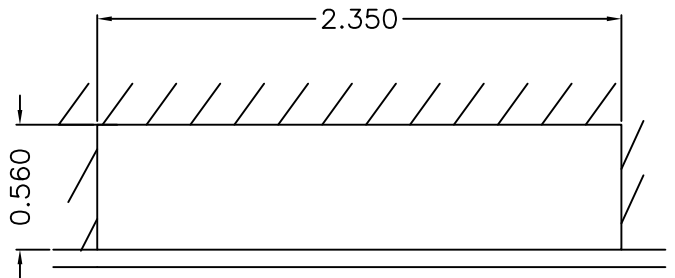
(Side view)



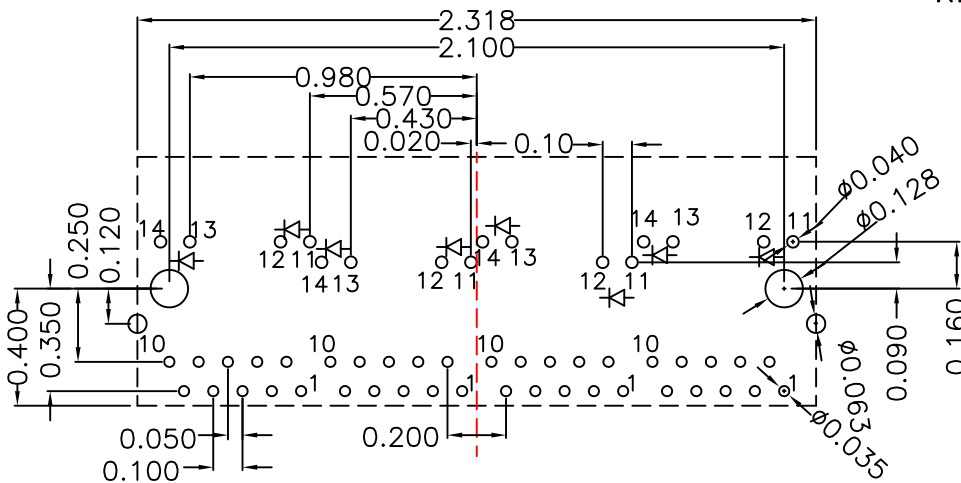
(Bottom view)



(Top view)



RECOMMENDED PANEL CUTOUT



SUGGESTED MOUNTING PATTERN

DOC. REV: A/8

**PROPRIETARY:**

Document is the property of XFMRS Group & is not allowed to be duplicated without authorization.

**XFMRS Inc.**  
www.XFMRS.com

Title: **FOUR PORT COMBO w/ LED's**

UNLESS OTHERWISE SPECIFIED

P/N: XFGIB100-CLXu4-4MS

REV. A

TOLERANCES:

.xxx ±0.010

Dimensions in Inch

DWN.	Yuan	Nov-08-12
CHK.	YK Liao	Nov-08-12
APP.	BSJ	Nov-08-12

SHEET 2 OF 2