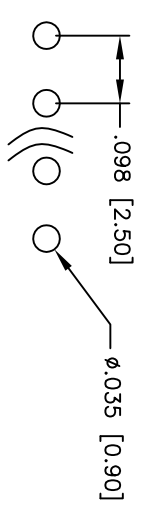
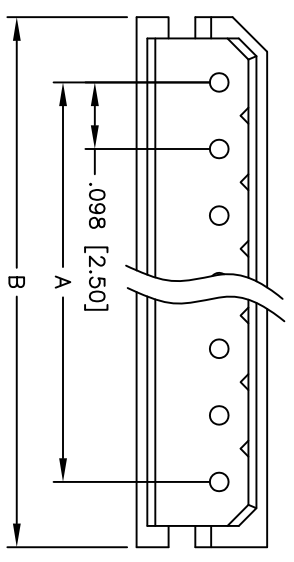
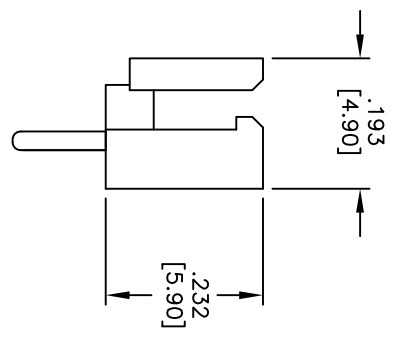
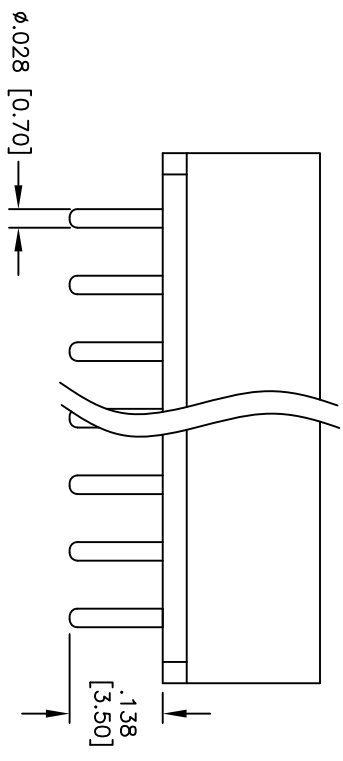


APPROVED: _____
 DATE: _____ TITLE: _____

Rev	AWO #	Description	Date	Appr
-		RELEASED	1/10/09	
A		REVISED DIM.	7/07/10	



Recommended PCB Layout



Positions: 02 thru 12
 A = .098 [2.50] x No. of Spaces
 B = .098 [2.50] x No. of Spaces + .197 [5.00]

SPECIFICATIONS:

- Material: Nylon66, rated UL 94V-2
- Insulator color: Beige
- Contacts: Brass
- Plating: Tin over copper underplate overall.
- Environmental: Lead free, RoHS compliant
- Recommended soldering temp: 235°C for 5 seconds



UNLESS OTHERWISE SPECIFIED ALL DIMENSIONS ARE INCHES [MM]	
TOLERANCES: EXCEPT AS NOTED	
INCHES	HOLDS
.X ± .10	ØX ± .10
.XX ± .020	ØXX ± .015
.XXX ± .015	ØXXX ± .010
APPROVALS	DATE
DRAWN	DY
CHECKED	
APPROVED	

ADAM TECH
 909 Rahway Avenue, Union, NJ 07083
 Phone: 908-687-5000 Fax: 908-687-5710
 TITLE: .098 [2.50] PITCH WAFER, STRAIGHT PCB
 LOW PROFILE

SIZE	PART NO.	REV.
X	25SH-E-XX-TS	A
REF:	S00015T	SCALE: NTS
		SHEET 1 OF 1