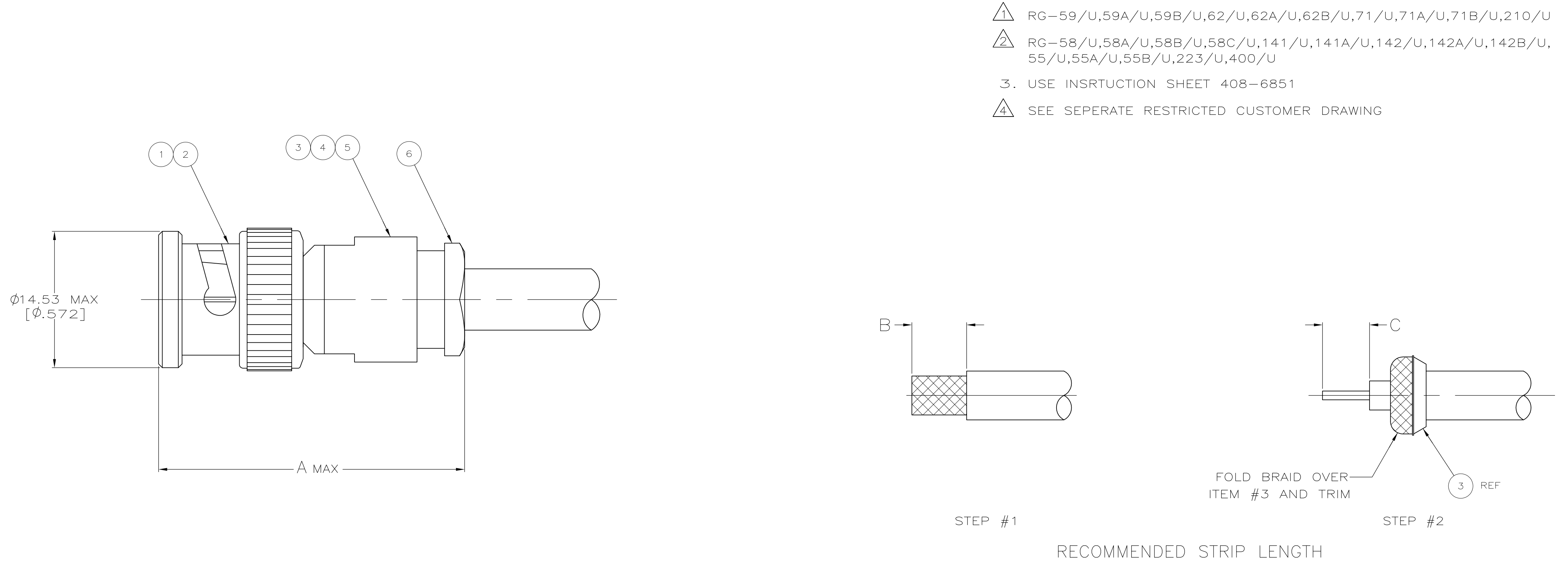


LOC		DIST		REVISIONS			
P	LR	DESCRIPTION	DATE	OWN	APVD		
AJ	16	H1	REVISED PER ECO-11-005030	11MAR11	RK	HMR	



- 1 RG-59/U,59A/U,59B/U,62/U,62A/U,62B/U,71/U,71A/U,71B/U,210/U
- 2 RG-58/U,58A/U,58B/U,58C/U,141/U,141A/U,142/U,142A/U,142B/U,55/U,55A/U,55B/U,223/U,400/U
- 3. USE INSTRUCTION SHEET 408-6851
- 4 SEE SEPERATE RESTRICTED CUSTOMER DRAWING

STAMPING	CABLE SIZE	C	B	A	6 NUT QTY=1	5 WASHER QTY=1	4 GASKET QTY=1	3 CLAMP QTY=1	2 CONTACT QTY=1	1 PLUG ASSY QTY=1	PART NUMBER	
SUPSD BY 221265-2	-	-	-	-	-	-	-	-	-	-	2-221265-1	
SUPSD BY 221265-2	-	-	-	-	-	-	-	-	-	-	2-221265-0	
OBSOLETE	AMP 1-221265-8	RG-179/U,179A/U,179B/U,187/U,187A/U	3.96 [.156]	7.92 [.312]	31.75 [1.250]	1-221280-2	221276-3	221277-4	1-221281-2	221268-6	221282-9	1-221265-8
OBSOLETE	AMP 1-221265-7	RG-180/U,195/U	3.96 [.156]	7.92 [.312]	31.75 [1.250]	1-221280-1	221276-3	221277-3	1-221281-1	221268-6	221282-8	1-221265-7
OBSOLETE	AMP 1-221265-6	RG-8/U,8A/U,9/U,9A/U,9B/U,213/U,214/U	3.18 [.125]	7.14 [.281]	38.10 [1.500]	221274-3	221271-3	221279-1	221273-3	221269-2	1-221282-0	1-221265-6
OBSOLETE	AMP 1-221265-5	RG-174/U,316/U	3.96 [.156]	7.92 [.312]	31.75 [1.250]	1-221280-2	221276-3	221277-4	1-221281-2	221268-4	221282-9	1-221265-5
OBSOLETE	AMP 1-221265-4	RG-302/U	3.96 [.156]	7.92 [.312]	31.75 [1.250]	221280-9	221276-3	221277-1	1-221281-0	221268-4	221282-7	1-221265-4
OBSOLETE	AMP 1-221265-3	RG-303/U	3.96 [.156]	7.92 [.312]	31.75 [1.250]	1-221280-1	221276-3	221277-3	221281-9	221268-2	221282-6	1-221265-3
OBSOLETE	AMP 1-221265-2	RG-122/U	3.96 [.156]	7.92 [.312]	31.75 [1.250]	1-221280-1	221276-3	221277-3	1-221281-1	221268-2	221282-8	1-221265-2
	AMP 1-221265-1		3.96 [.156]	7.92 [.312]	31.75 [1.250]	1-221280-0	221276-3	221277-2	1-221281-0	221268-4	413752-7	1-221265-1
	AMP 1-221265-0		3.96 [.156]	7.92 [.312]	31.75 [1.250]	221280-9	221276-3	221277-1	221281-9	221268-2	413752-6	1-221265-0
OBSOLETE	AMP 221265-9	RG-179/U,179A/U,179B/U,187/U,187A/U	3.96 [.156]	7.92 [.312]	31.75 [1.250]	221280-8	221276-2	221277-4	221281-8	221268-6	221282-4	221265-9
OBSOLETE	AMP 221265-8	RG-180/U,195/U	3.96 [.156]	7.92 [.312]	31.75 [1.250]	221280-6	221276-2	221277-3	221281-6	221268-6	221282-3	221265-8
OBSOLETE	AMP 221265-7	RG-8/U,8A/U,9/U,9A/U,9B/U,213/U,214/U	3.18 [.125]	7.14 [.281]	38.10 [1.500]	221274-2	221271-2	221279-1	221273-2	221269-2	221282-5	221265-7
OBSOLETE	AMP 221265-6	RG-174/U,316/U	3.96 [.156]	7.92 [.312]	31.75 [1.250]	221280-8	221276-2	221277-4	221281-8	221268-4	221282-4	221265-6
	AMP 221265-2		3.96 [.156]	7.92 [.312]	31.75 [1.250]	221280-4	221276-2	221277-2	221281-4	221268-9	413752-2	221265-2
	AMP 221265-1		3.96 [.156]	7.92 [.312]	31.75 [1.250]	221280-2	221276-2	221277-1	221281-2	221268-8	413752-1	221265-1

DIMENSIONS: MM [INCHES]		TOLERANCES UNLESS OTHERWISE SPECIFIED:		DW B. SCOTT 2-26-91		CHK J. LIPPERT 3-15-91		APVD M. PHILLIPS 4-3-91		NAME	
0 PLC ± -		1 PLC ± -		2 PLC ± 0.25 [010]		3 PLC ± -		4 PLC ± -		PRODUCT SPEC 108-12075	
MATERIAL		FINISH		WEIGHT		SCALE 4:1		SHEET 1 OF 1		REV H1	
CUSTOMER DRAWING										DRAWING NO 221265	