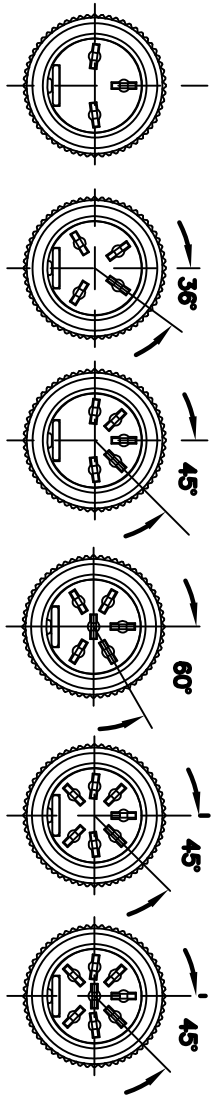
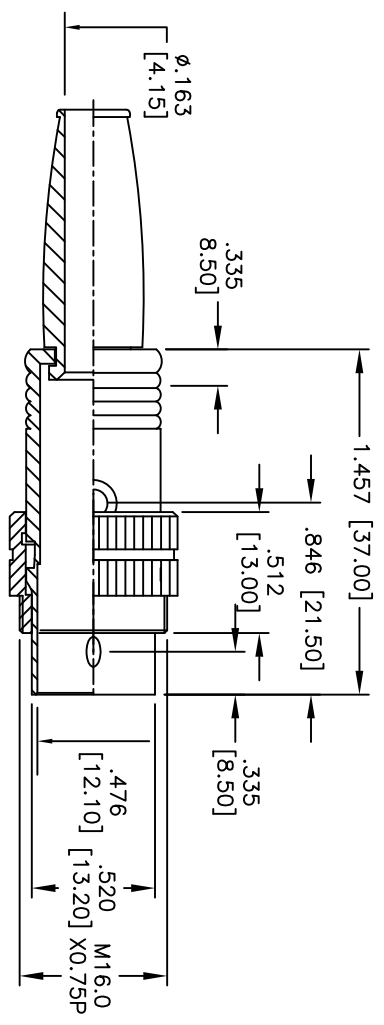


Rev	AWO #	Description	Date	Appr
-		RELEASED	11/24/10	

APPROVED: _____
 DATE: _____ TITLE: _____



DS-003-LT DS-004-LT DS-005-LT DS-006-LT DS-007-LT DS-008-LT



ADAM TECH

909 Railway Avenue, Union, NJ 07083
 Phone: 908-687-5000 Fax: 908-687-5710

FEMALE DIN PLUG, LOCKING TYPE

SPECIFICATIONS:
 Material: ABS
 Housing: ABS
 Contact: Brass, Nickel plated
 Metal Shell: Brass, Nickel plated
 Electrical:
 Rating: 100V AC @ 1A
 Insulation resistance: 100 M OHM @500V DC
 Withstanding voltage: 250 VAC for 1 minute
 Environmental:
 Lead free, RoHS compliant.

UNLESS OTHERWISE SPECIFIED ALL DIMENSIONS ARE INCHES [MM]	
TOLERANCES: EXCEPT AS NOTED	
INCHES	HOLDS
.X ± .10	± .10
.XX ± .020	± .015
.XXX ± .015	± .010
APPROVALS	
DRAWN	AY
CHECKED	VW
DATE	DATE
11/24/10	11/24/10

TITLE		SIZE		PART NO.		REV.	
FEMALE DIN PLUG, LOCKING TYPE		X		DS-0XX-LT		-	
REF: S00087T		SCALE: NTS		SHEET 1 OF 1			