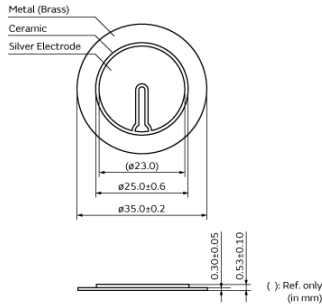


7BB-35-3C

In Production RoHS REACH

Appearance & Shape



Features

1. Clear sound
2. Ultra thin and lightweight
3. No contacts: therefore, no noise and highly reliable
4. Low power consumption for voltage type

Applications

Other Usage	Consumer/Industrial
-------------	---------------------

Packaging Information

Packaging	Specifications	Minimum Order Quantity
-	Bulk	800

Attention

1. This datasheet is downloaded from the website of Murata Manufacturing Co., Ltd. Therefore, its specifications are subject to change or our products in it may be discontinued without advance notice. Please check with our sales representatives or product engineers before ordering.
2. This datasheet has only typical specifications because there is no space for detailed specifications.
Therefore, please review our product specifications or consult the approval sheet for product specifications before ordering.

7BB-35-3C

Specifications

Resonance Frequency	2.8kHz
Resonant Frequency Tolerance	±0.5kHz
Resonant Impedance(max.)	200Ω
Capacitance	26nF
Capacitance Tolerance	±30%
Measurement Condition of Capacitance	[1kHz]
Plate Size	35mm
Element Size	25mm
Plate Material	Brass
Drive Type	Self Drive
EIAJ Part Number	PD-SU3-C35-28

Attention

1.This datasheet is downloaded from the website of Murata Manufacturing Co., Ltd. Therefore, it's specifications are subject to change or our products in it may be discontinued without advance notice. Please check with our sales representatives or product engineers before ordering.

2.This datasheet has only typical specifications because there is no space for detailed specifications.

Therefore, please review our product specifications or consult the approval sheet for product specifications before ordering.