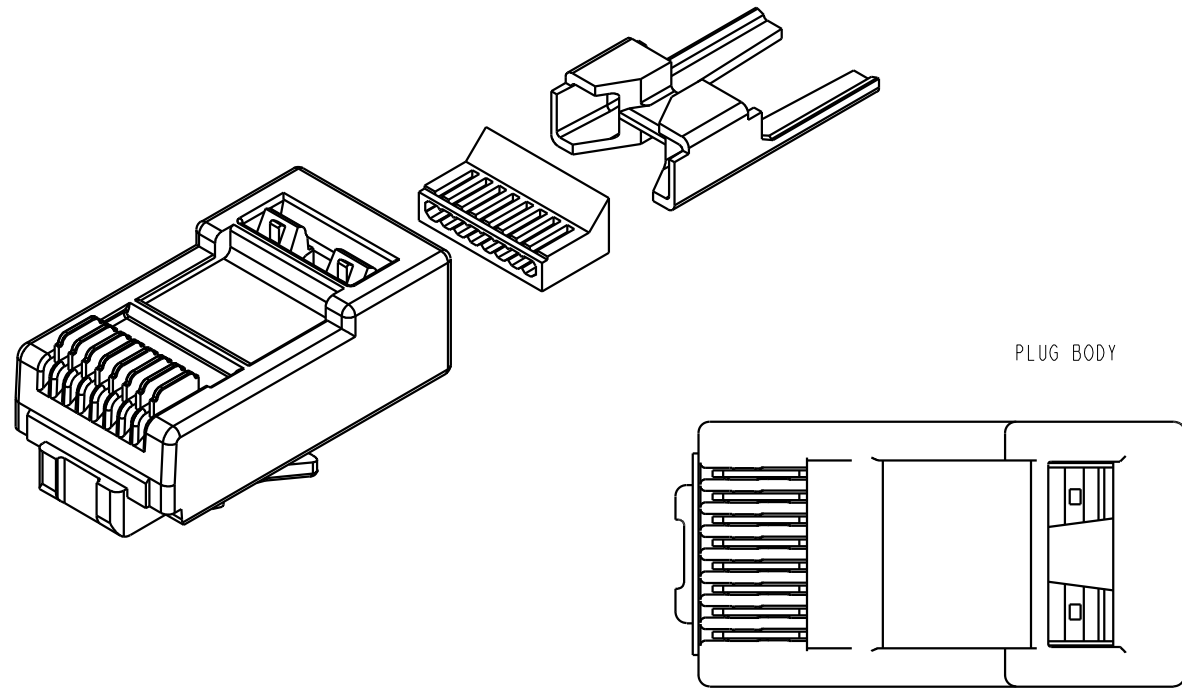
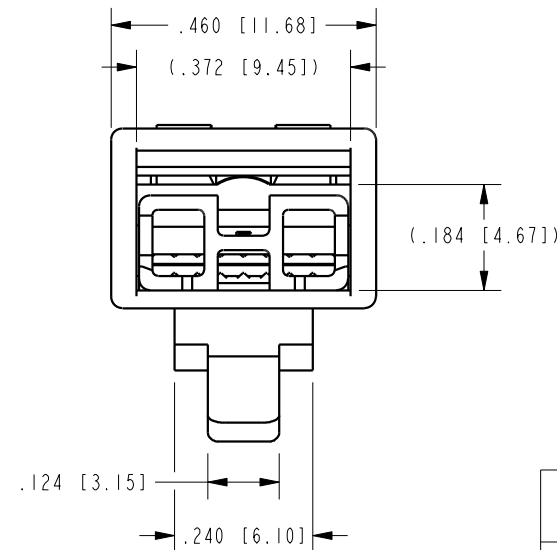
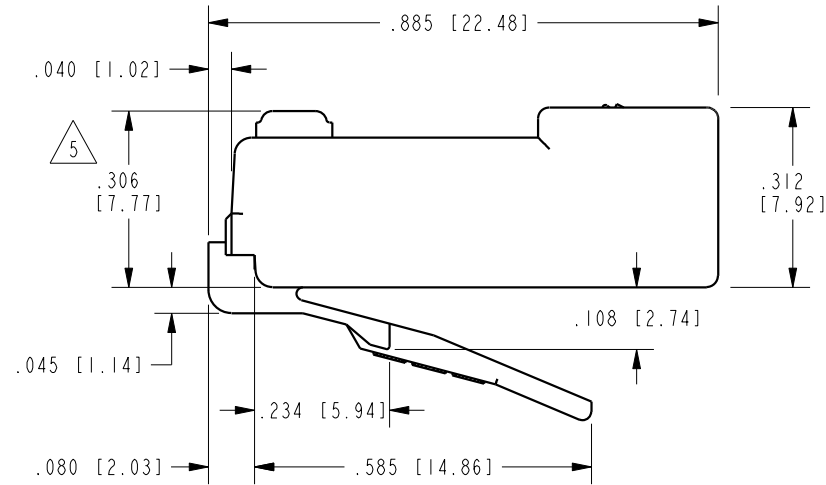
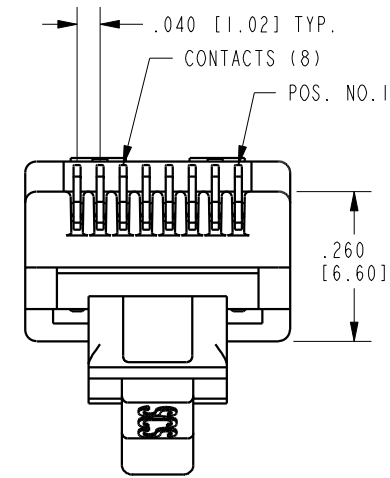
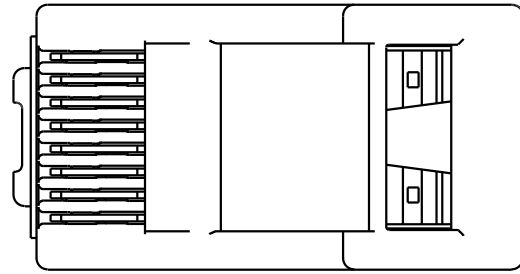


DATE	REV.	ECN	APP'D BY
5-30-12	A2	9480	SMN
7-19-12	A3	9544	TRM
7-25-12	A4	9547	TRM
2-17-15	A5	10259	ADB



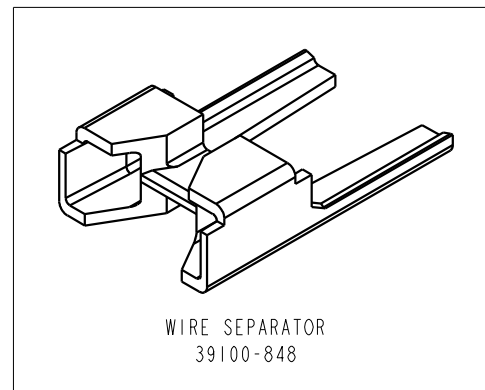
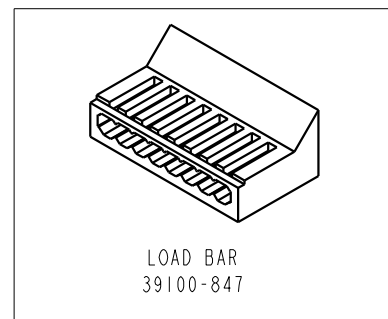
PLUG BODY



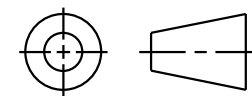
NOTES:

- COMPONENTS -
 PRE-INSERTED PLUG BODY - 39100-308
 PLUG BODY: CLEAR POLYCARBONATE, UL 94-V0
 CONTACTS: COPPER ALLOY, SELECTIVE GOLD PLATING OR EQUIVALENT
 LOAD BAR: POLYCARBONATE, UL 94-V0. COLOR: CLEAR
 WIRE SEPARATOR: CLEAR POLYCARBONATE, UL 94-V0
- CONTACTS TERMINATE SOLID OR STRANDED CONDUCTORS BETWEEN .033 [0.84] TO .039 [0.97] OUTSIDE DIAMETER OF INSULATION.
- FOR PRODUCT SPECIFICATION SEE PRO26-01
- DIMENSIONS AND TOLERANCES COMPLY WITH TIA-1096 STANDARD.
- TERMINATED PLUG HEIGHT: .237 [6.02] ±.005 [0.13].
- PRODUCT DESIGNED FOR CATEGORY 6 APPLICATIONS.

BAG OF 25	50 MICRO-INCHES [1.27um]	SS-39100-022
BULK	50 MICRO-INCHES [1.27um]	SS-39100-021
PACKAGE	CONTACT PLATING IN MATING AREA	PART NUMBER



THIRD ANGLE PROJECTION



11118 Susquehanna Trail South
 Glen Rock, PA 17327-9199
 (717) 235-7512

<http://www.stewartconnector.com>

DO NOT SCALE DRAWING

DRAWING IS SUBJECT TO CHANGE WITHOUT NOTICE

DIMENSIONS: INCHES [METRIC]

UNLESS OTHERWISE SPECIFIED TOLERANCES ARE ±.005 [0.13] ANGLES ARE ±1°

SHEET NO. 1 OF 1

TITLE: 8 POSITION/8 CONDUCTOR CAT6 PLUG
 WIRE SEPARATOR & LOAD BAR, UNSHIELDED RCV

THIS DRAWING AND THE SUBJECT MATTER SHOWN THEREON ARE CONFIDENTIAL AND THE PROPRIETARY PROPERTY OF STEWART CONNECTOR AND SHALL NOT BE REPRODUCED, COPIED, OR USED IN ANY MANNER WITHOUT PRIOR WRITTEN CONSENT OF STEWART CONNECTOR. THIS PRODUCT MAY BE PROTECTED BY ONE OR MORE OF THE FOLLOWING US PATENTS:
 5628647 6402559 6409535 6524128
 7753717 8033863
 OTHER PATENTS MAY BE PENDING.

DRN BY: TRM DATE 7-24-07

APPD BY: DHG DATE 7-24-07

DWG. NO. CT390051 REV. A5