

Han 200A axial module, female 95mm²

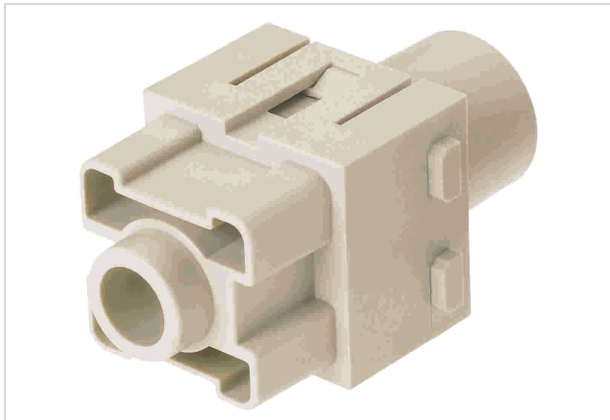


Image is for illustration purposes only. Please refer to product description.

Part number	09 14 001 2761
Specification	Han 200A axial module, female 95mm ²
HARTING eCatalogue	https://b2b.harting.com/09140012761

Identification

Category	Modules
Series	Han-Modular [®]
Type of module	Han [®] 200 A module

Version

Termination method	Axial screw termination
Gender	Female
Number of contacts	1

Technical characteristics

Conductor cross-section	95 mm ²
Rated current	200 A
Rated voltage	500 V
Rated impulse voltage	6 kV
Pollution degree	3
Insulation resistance	>10 ¹⁰ Ω
Contact resistance	≤0.2 mΩ
Stripping length	20 mm
Tightening torque	14 Nm
Limiting temperature	-40 ... +125 °C
Mating cycles	≥500



Pushing Performance

Material properties

Material (insert)	Polycarbonate (PC)
Colour (insert)	RAL 7032 (pebble grey)
Material (contacts)	Copper alloy
Surface (contacts)	Silver plated
Material flammability class acc. to UL 94	V-0
RoHS	compliant with exemption
RoHS exemptions	6(a) / 6(a)-I: Lead as an alloying element in steel for machining purposes and in galvanised steel containing up to 0,35 % lead by weight / Lead as an alloying element in steel for machining purposes containing up to 0,35 % lead by weight and in batch hot dip galvanised steel components containing up to 0,2 % lead by weight
ELV status	compliant with exemption
China RoHS	50
REACH Annex XVII substances	No
REACH ANNEX XIV substances	No
REACH SVHC substances	Yes
REACH SVHC substances	Lead
ECHA SCIP number	5dbb3851-b94e-4e88-97a1-571845975242

Specifications and approvals

Specifications	EN 60664-1 IEC 61984
Approvals	DNV GL

Commercial data

Packaging size	1
Net weight	63.5 g
Country of origin	Germany
European customs tariff number	85389099
eCl@ss	27440217 Module for industrial connectors (power/signals)