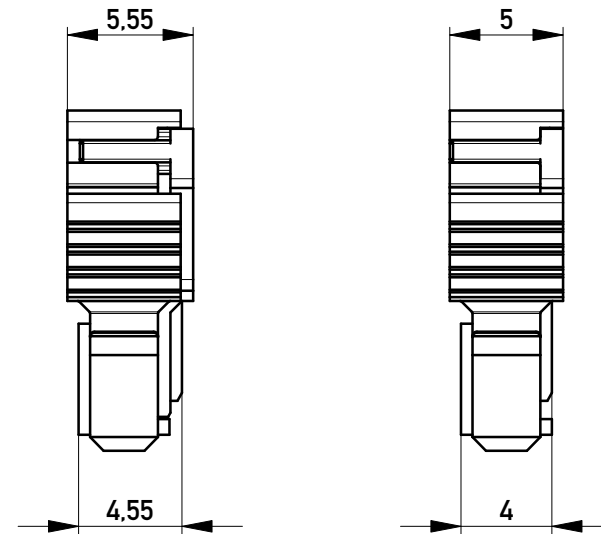
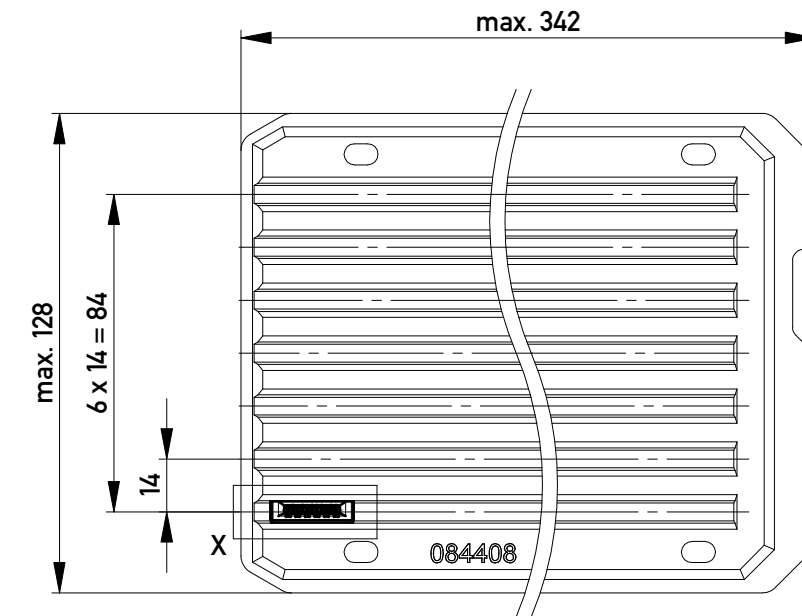


Abdeckung vorverrastet
cover loose mounted

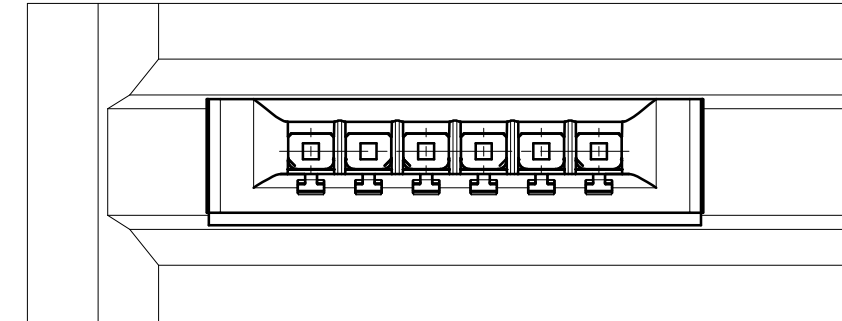
Abdeckung verpresst
cover pressed on



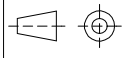
Verpackt in Tray - tray packaging
Verpackungseinheit 98 Stück - packaging unit 98



Einzelheit X
detail X



Copyright by ERNI Production GmbH & Co. KG
Proprietary notice pursuant to ISO 16016 to be observed.

Information: Codierung schwarz - coding black		Tolerances		Scale	3:1
All rights reserved. Only for Information. To ensure that this is the latest version of this drawing, please contact one of the ERNI companies before using.		Subject to modification without prior notice. Drawing will not be updated.		Designation F 2.54 SRC-A, 6-polig BA 2	
d		07.07.2016		100104600002	
Index		Date		K A3	
		www.ERNI.com		Class SRCBUG	