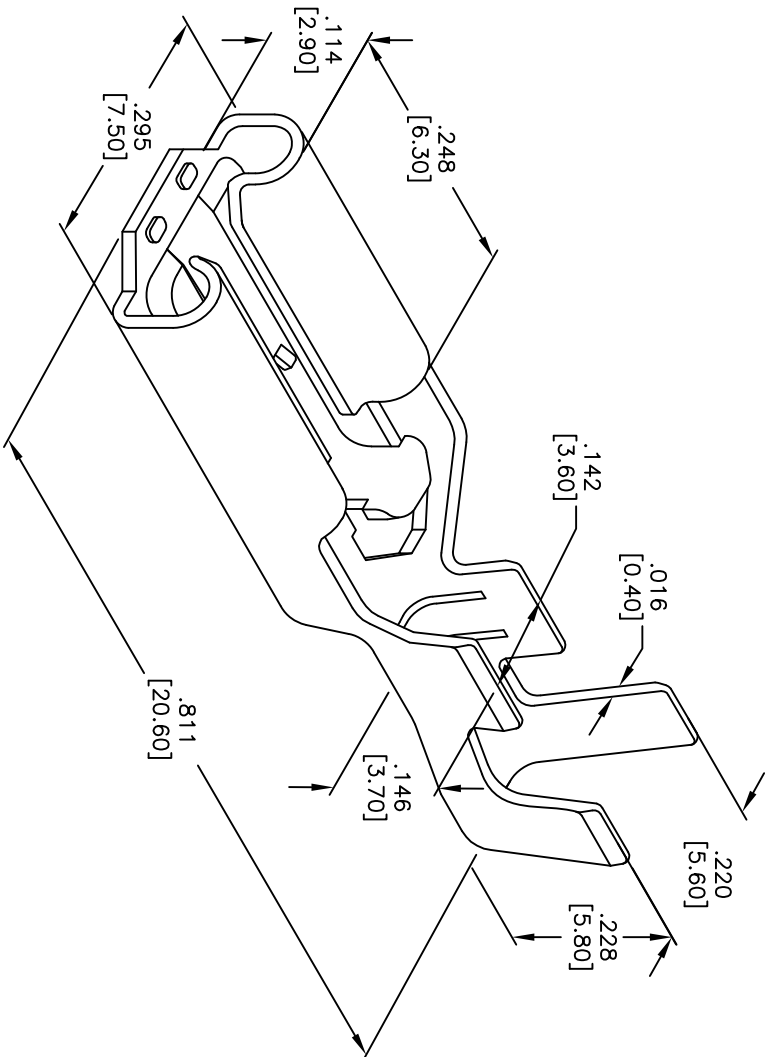


Rev	AWO #	Description	Date	Appr
-		RELEASED	11/19/10	

APPROVED: _____
 DATE: _____ TITLE: _____



SPECIFICATIONS:

Material:
 Terminal: Brass, Tin plated
 Thickness: 0.40mm
 Wire Range: AWG#14~28
Electrical:
 Voltage rating: AC 250V, DC 350V
 Current rating: AC,DC,15A
 Temperature range: -25°C to +85°C
 Environmental:
 Lead free, RoHS compliant.



UNLESS OTHERWISE SPECIFIED
 ALL DIMENSIONS ARE INCHES [MM]
 TOLERANCES ARE NOTED
 INCHES

.X	± .10	ØX	± .10
.XX	± .020	ØXXX	± .015
.XXX	± .015	ØXXXX	± .010

APPROVALS

APPROVALS	DATE
DRAWN AY	11/19/10
CHECKED SC	11/19/10
APPROVED	

ADAM TECH
 909 Rahway Avenue, Union, NJ 07083
 Phone: 908-687-5000 Fax: 908-687-5710

TITLE: .250" QUICK DISCONNECT TERMINAL
 HALF INSULATED

SIZE	PART NO.	SCALE:	SHEET 1 OF 1
X	4QD-.250-18/14-T	NTS	
REF: S00137T			