

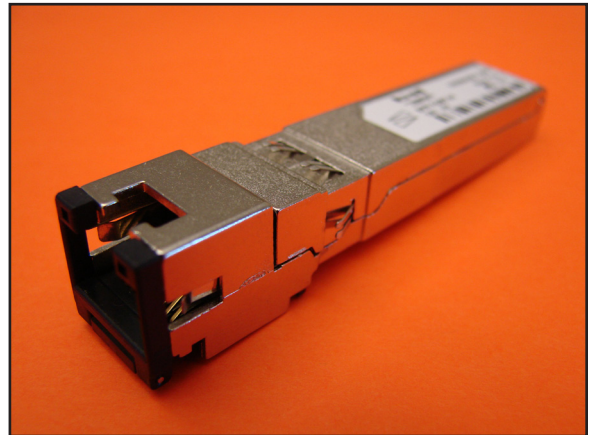
# SFP Copper Transceiver 10/100/1000Base-T SGMII

## SFP-1GBT-03



### FEATURES / BENEFITS

- Designed with Broadcom's BCM54616S chipset (login at <https://support.broadcom.com/Core/Login.aspx> for IC support)
- Complies with IEEE 802.3, 802.3u, and 802.3ab specifications
- Conforms to Multi-Source Agreement (MSA) specifications for SFP transceivers
- Supports IEEE 802.3u and IEEE 802.3ab auto-negotiation features to allow networking equipment to automatically determine and adjust the required settings
- Automatically compensates for baseline wander by removing the DC offset from the input signal
- Assembled with low EMI emissions IC and fully metallic housings
- Automatic dependent interface (DI) crossover, eliminating the need for crossover cables or cross-wire (MDIX) ports
- Bail latch provides ease of extraction
- Compact RJ45 connector assembly
- Data is scrambled to reduce radiated emission
- Power consumption is 610mW typical for 1000Base-T
- Power consumption is 320mW typical for 10/100Base-T
- Fully RoHS compliant
- The BCM54616S physical layer IC (PHY) can be accessed via I<sup>2</sup>C interface:
  - PHY address = "ACh"
  - EEPROM address = "A0h"



### APPLICATIONS

- 10/100/1000 Mbps data rate in excess of 100 meters of Category 5/5e cable
- Networking equipment
- Switch-to-switch interface
- Routers

The Bel SFP-1GBT-03 transceiver is an internally configured 10/100/1000Base-T SFP that requires the host system to provide SGMII interface. The PHY interfaces directly with SerDes interface. The host interface transmits and receives serial data differentially at 1.25 Gbps. The copper interface is full featured as advertised full/half duplex and 1000Base-T wire speed.

- SFP Transceiver identification is specified as "08h" for byte 6 in the EEPROM.

### REGULATORY AND STANDARDS COMPLIANCE

- Compliant with IEEE 802.3:2000
- FCC Part 15, Class A
- EN55022 Class A (CISPR 22 Class A)
- CE
- E55024 Immunity standard and NEBS 3 ESD



**SFP Copper Transceiver 10/100/1000Base-T SGMII**  
**SFP-1GBT-03**



**RELIABILITY TESTING**

Vibration Test: Reference MIL-STD-202, Method 204. Condition D.

Mechanical Shock: Reference IEC 68-2-27, Test Ea. Alternative MIL-STD-202, Method 213B, Condition A.

Temperature cycling and temperature-humidity-bias.

**SFP-1BGT-03 MODULE SPECIFICATIONS**

Parameter	Symbol	Min	Typ	Max	Units	Notes
Supply Voltage	$V_{DD3}$	3.12	3.3	3.46	V	
Supply Current	$I_S$		185		mA	1000Base-T
Supply Current	$I_S$		98		mA	10/100Base-T

SFP Host Serial Interface (TX/RX)	Symbol	Min	Typ	Max	Units	Notes
Line Frequency	$F_{LINE}$		125		MHz	
TX Output Impedance	$Z_{TX\_OUT}$		100		$\Omega$	Differential
RX Output Impedance	$Z_{RX\_IN}$		100		$\Omega$	Differential
Clock Frequency			25		MHz	
Rise/Fall Time	$T_R/T_F$		4		ns	20% - 80%
RMS Phase Jitter	$F_J$			1.5	ps-rms	$F_J = 12$ kHz to 20 MHz offset frequency.

Environmental Specifications	Symbol	Min	Typ	Max	Units	Notes
Operating Temp	$T_{OP}$	0		+70	$^{\circ}C$	Case temperature
Storage Temp	$T_{STG}$	-40		+85	$^{\circ}C$	Ambient temperature

©2012 Bel Fuse Inc. Specifications subject to change without notice. 01.19.12

**SFP Copper Transceiver 10/100/1000Base-T SGMII**  
**SFP-1GBT-03**



**SFP HOST CONNECT ELECTRICAL INTERFACE AND PINS DESCRIPTIONS**

Pin	Name	Description
1	VeeT	Transmitter ground (common with receiver ground).
2	TX Fault	Transmitter fault is internally tied to transmit ground and is not supported.
3	TX Disable	Transmit disable. This pin is tied to PHY low power mode.
4	MOD-DEF2	Signal SDA (data) of the two-wire serial ID interface.
5	MOD-DEF1	Signal SCL (clock) of the two-wire serial ID interface.
6	MOD-DEF0	This pin is internally tied to transmit ground.
7	Rate Select	Not implemented. This pin is floating internally.
8	LOS	Loss of signal indication.
9	VeeR	Receiver ground (common with transmitter ground).
10	VeeR	Receiver ground (common with transmitter ground).
11	VeeR	Receiver ground (common with transmitter ground).
12	RD-	Differential receiver outputs. User to terminate to 100 $\Omega$ differential at host. AC coupled.
13	RD+	Differential receiver outputs. User to terminate to 100 $\Omega$ differential at host. AC coupled.
14	VeeR	Receiver ground (common with transmitter ground).
15	VccR	3.3V power
16	VccT	3.3V power
17	VeeT	Transmitter ground (common with receiver ground).
18	TD+	Differential transmitter outputs. User to terminate to 100 $\Omega$ differential at host. AC coupled.
19	TD-	User to terminate to 100 $\Omega$ differential at host. AC coupled.
20	VeeT	Transmitter ground (common with receiver ground).



## SFP Copper Transceiver 10/100/1000Base-T SGMII SFP-1GBT-03

### SGMII INSTALLATION GUIDE

Part Number	Link Indicator on Rx_LOS Pin	Auto-Negotiation enabled by default	Interface
SFP-1GBT-03	Yes	Yes	SGMII (10/100/1000Base-T)

- AUTONEG is always ENABLE for Bel's Copper Transceivers. To disable the AUTONEG feature, clear the Broadcom PHY register bit12 to "0".
- Rx\_LOS is always ENABLE.
  - High → Not linked.
  - Low → Linked to link-partner.
- Bel's Copper SFP Transceivers detect the advertised speed and mode of operation via the host of the link-partner. There is no need for accessing the PHY address of the Bel SFP transceiver.
- Bel's SFP will automatically detect advertised 1000Base-T speed and mode of operations and link to its link-partner.
- Bel's SFP will automatically detect advertised 100Base-T speed and mode of operations and link to its link-partner.
- Bel's SFP will automatically detect advertised 10Base-T speed and mode of operation and link to its link-partner.
- SFP-1GBT-03 (SGMII) can be configured to operate in GBIC interface as described below:

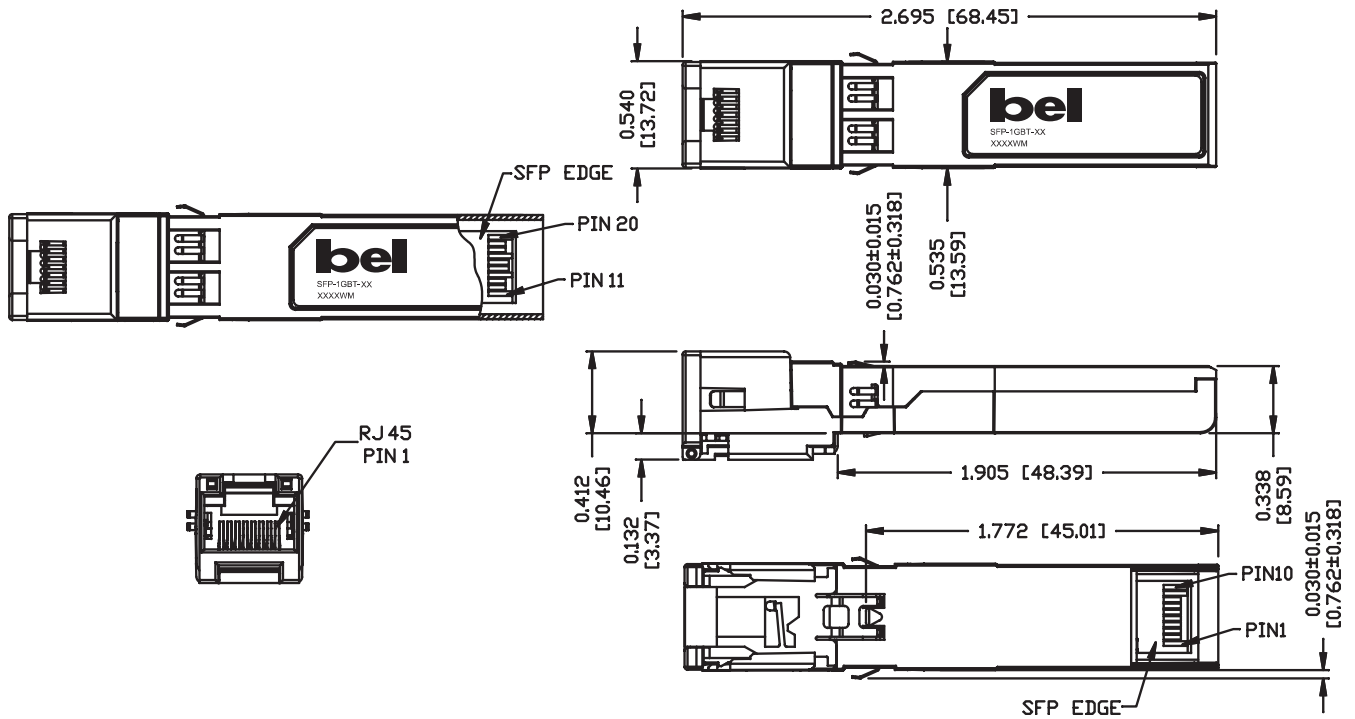
#### SGMII-Copper to GBIC:

1. Write register 18h, shadow 07h bit [7] = 0 (Disable RGMII mode)
2. Write register 1Ch, shadow 1Fh bit [0] = 1 (Enable fiber register bank)
3. Write register 00h, bit [11] = 1 (Power down SerDes interface)
4. Write register 1Ch, shadow 1Fh bit [2:1] = 11 (Configure the BCM54616S in GBIC mode)
5. Write register 00h, bit [11] = 0 (Power up SerDes interface)
6. Write register 1Ch, shadow 1Fh bit [0] = 0 (Enable copper register bank)
7. Write register 00h, bit [11] = 0 (Power up copper interface)

**SFP Copper Transceiver 10/100/1000Base-T SGMII**  
**SFP-1GBT-03**



**MECHANICAL**



©2012 Bel Fuse Inc. Specifications subject to change without notice. 01.19.12

**CORPORATE**

**Bel Fuse Inc.**  
 206 Van Vorst Street  
 Jersey City, NJ 07302  
 Tel 201-432-0463  
 Fax 201-432-9542  
 www.belfuse.com

**ASIA**

**Bel Fuse Ltd.**  
 8F / 8 Luk Hop Street  
 San Po Kong  
 Kowloon, Hong Kong  
 Tel 852-2328-5515  
 Fax 852-2352-3706  
 www.belfuse.com

**EUROPE**

**Bel Stewart Connector**  
 45/46 Riverside  
 Medway City Estate  
 Rochester, Kent ME2 4DP U.K.  
 Tel 44-1634-722890  
 Fax 44-1634-716677  
 www.belfuse.com