



**Data Sheet**

telephone  
949 252 0522



Product Category: Ceramic Resonator

Series Number	Package	Description	Last Modified
681 ~ 682	ZTACR / ZTTTCR Ceramic	SMD Resonator	Jan. 01 2010

**FEATURES**

- Extended temperature range
- Ultra Small SMD Ceramic Resonator
- High stability
- RoHs Compliant

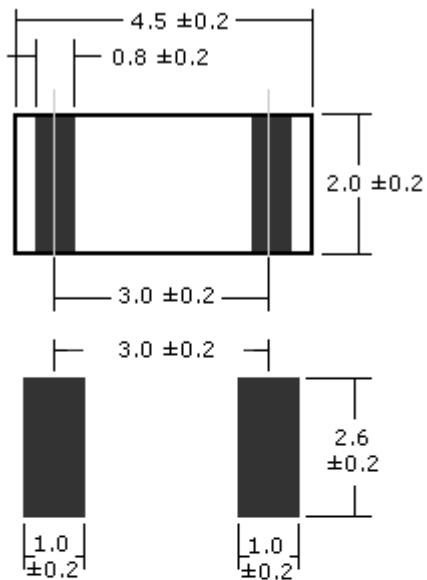


**OPERATING CONDITIONS / ELECTRICAL CHARACTERISTICS**

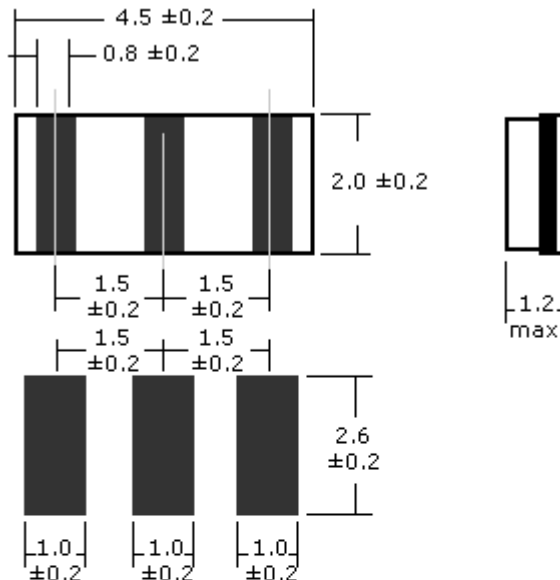
Series No.	Type	Fig	Frequency Range*	Frequency Accuracy	Stability in Temperature	Aging for Ten Years
			(MHz)	@ 25° (MHz)	-20° ~ +80°C	-
681	ZTACR	1	4.0 ~ 8.0	±0.5%	±0.3%	±0.3%
682	ZTTTCR	2	4.0 ~ 8.0			

\*Otherr Freq. Avail. Contact Oscilent for assistance.

**PACKAGE DIMENSIONS (mm)**



Recommended Land Pattern



Recommended Land Pattern

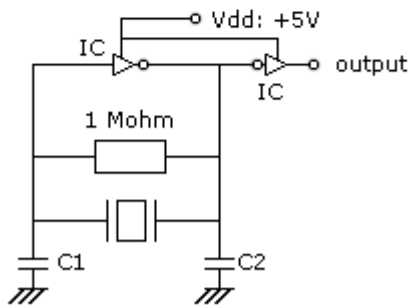


Figure 1) ZTACR

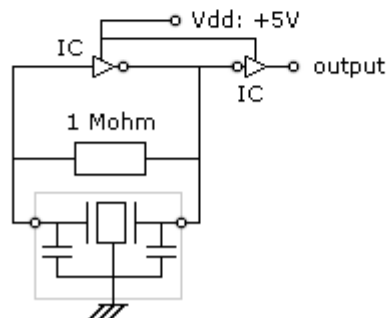


Figure 2) ZTTTCR

Test Circuit IC

Freq. 4.0 ~ 8.0 MHz:

IC: 1/6TC4069UBPx2

**VALUES OF C1 & C2**

Frequency Range (MHz)	C1 (pF)	C2 (pF)
4.0 ~ 8.0	15 ±20%	15 ±20%

**PART NUMBER GUIDE**

Part Number	Frequency	Load Capacitance	Frequency Accuracy ( % )	Operating Temp ( °C )	Packaging**
<b>682</b>	<b>- 4.0M</b>	<b>- 30</b>	<b>- 03</b>	<b>W</b>	<b>- TR</b>
681 = ZTACR 682 = ZTTCR	e.g. -4.0M = 4.00 MHz Std. Range = 20.0 ~ 50 MHz Other Freq. Avail. Contact Oscilent for assistance.	Blank* = Standard as shown in above Table or Fill in the blank e.g 30 = 30pF	Blank* = ±0.5% -03 = ±0.3%	Blank* = -20 ~ +80 -N = -40 ~ +85 -W = -40 ~ +125	Blank* = Bulk -TR = Tape/ Reel

**NOTE:** Deviations on all parameters available. Please consult Oscilent for details.

**DEFINITIONS:** Click on the characteristic names above, for definitions of the particular characteristic.

**\*STANDARDS:** "Blank" part number selections, indicate standard variables for the particular characteristic.

**\*\*PACKAGING:** Click on the packaging name above for tape/reel specifications

**Oscilent Corporation** - CALL **1.949.252.0522**

**Series No.:** 681 to 682

18226 McDermott Street . Building B . Irvine . CA 92614 . USA

Fax: 1.949.252.0599 . E-Mail: Sales@Oscilent.com