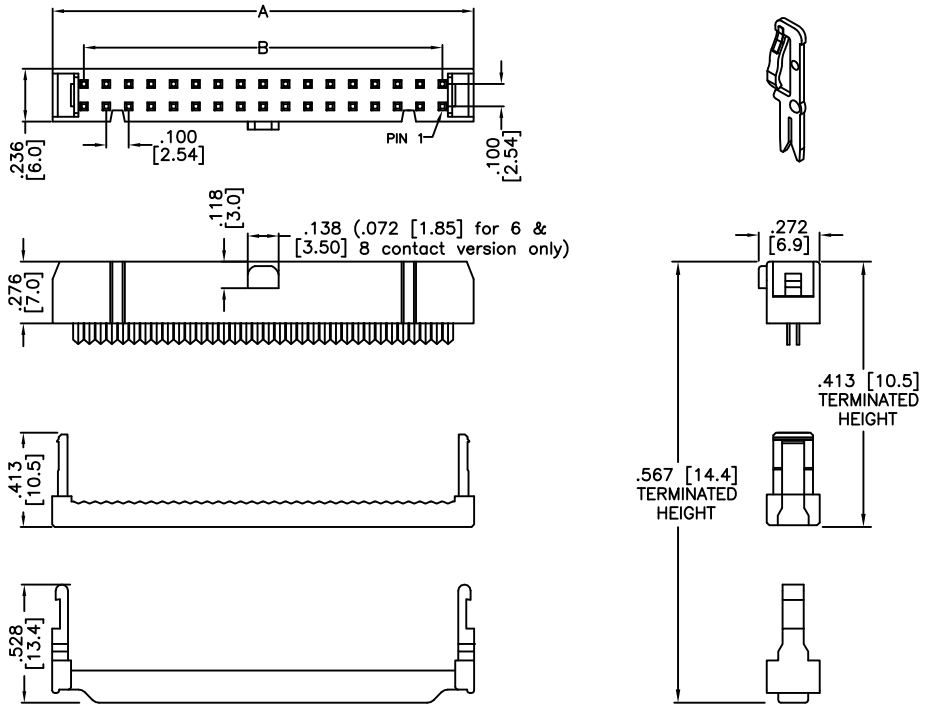


Major League Electronics .100" cl Insulation Displacement Socket

Pins Per Row	Dimension	
	A	B
3	0.485 [12.32]	0.200 [5.08]
4	0.585 [14.86]	0.300 [7.62]
5	0.685 [17.40]	0.400 [10.16]
6	0.785 [19.94]	0.500 [12.70]
7	0.885 [22.48]	0.600 [15.24]
8	0.985 [25.02]	0.700 [17.78]
9	1.085 [27.56]	0.800 [20.32]
10	1.185 [30.10]	0.900 [22.86]
11	1.285 [32.64]	1.000 [25.4]
12	1.385 [35.18]	1.100 [27.94]
13	1.485 [37.72]	1.200 [30.48]
15	1.685 [42.80]	1.400 [35.56]
17	1.885 [47.88]	1.600 [40.64]
18	1.985 [50.42]	1.700 [43.18]
19	2.085 [52.96]	1.800 [45.72]
20	2.185 [55.50]	1.900 [48.26]
22	2.385 [60.58]	2.100 [53.34]
24	2.585 [65.66]	2.300 [58.42]



Tails may be clipped to achieve desired pin length

Ordering Information

IDS-1 - - - - - - - LF

Pins Per Row
only available in:
03, 04, 05, 06, 07, 08, 10, 12, 13, 15
17, 18, 19, 20, 22, 25, 28, 30, 31, 32

Double

Style
02 = Black

Lead Free

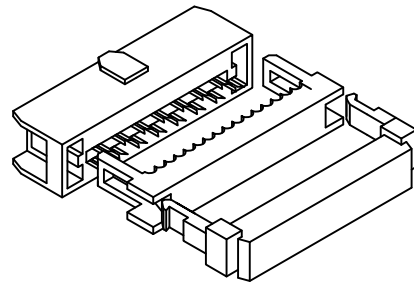
Polarized Position
006 - 064
Leave blank if not needed

Options
01 = With Strain Relief
02 = Without Strain Relief

Plating Options	
- Gold Flash Over Entire Pin	F
- Gold Flash on Contact Area / Matte Tin on Remainder	FT
- 10µ Gold on Contact Area	G
- 30µ Gold on Contact Area	H

Standard plating = FT

Mates with:
SHSTL-1, SHBSTC-1,
SHBSTCM-1, SHTSHC-1,
SHTSHR-1, SHTSHSM-1



Insulator	PBT, glass reinforced, rated UL 94V-0	Current Rating	1 Amp
Contact	Phosphor Bronze or Brass	Dielectric Withstanding	500V AC for one minute
Insulation Resistance	3000 MΩ min.	Operating Temperature	-40°C to +105°C
Contact Resistance	30 mΩ max.	Terminated with	.050" [1.27mm] pitch flat ribbon cable

Products cut to specific sizes are uncancellable/nonreturnable

Parts are subject to change without notice

IDS-1 SERIES

.100" cl Insulation Displacement Socket

19 APR 07

Scale
NTS

UNLESS OTHERWISE SPECIFIED
DIMENSIONS IN INCHES (MM)
TOLERANCES ARE:

ONE PLACE DECIMALS ±.100
TWO PLACE DECIMALS ±.010
THREE PLACE DECIMALS ±.005
FOUR PLACE DECIMALS ±.002

Major League
ELECTRONICS

4235 Earnings Way, New Albany, Indiana, 47150, USA
1-800-782-3486 (USA/Canada/Mexico)

Tel: 812-944-7244
Fax: 812-944-7268

E-mail: mle@mlelectronics.com
Web: www.mlelectronics.com

Revision
E

Sheet
1/2

Revisions

Revision E - (29th Mar 2011)

Dimension A and B updates for 9-24 pins per row

Revision D - (3rd Mar 2011)

Contact plating amended.

Revision C

FT - Gold Flash on contact area / Matte Tin on Tail

Revision D

FT - Gold Flash on contact area / Matte Tin on Remainder

Revision C - (27th Jan 2011)

Amendment to plating options in ordering grid.

Revision B

G - 10 μ Gold on Contact area/Flash on Tail

GT - 10 μ Gold on Contact Area/Matte Tin on Tail

FT - 3 μ Selective Gold

T - Matte Tin all Over

F - Gold Flash Over Entire Pin

(Standard Plating = T)

Revision C

FT - Gold Flash on contact area / Matte Tin on Tail

F - Gold Flash over entire pin

G - 10u Gold on contact area


H - 30u Gold on contact area

(Standard Plating = FT)

Dimension of width on polarization bump amended to be .072 [1.85] for 6 and 8 contact version only, previously it was offered only as .138 [3.50]

Revision B - (7th Mar 2008)

'Terminated Height' dimensions added to drawing.

	IDS-1 SERIES	.100" cl Insulation Displacement Socket	19 APR 07	Scale NTS
<small>UNLESS OTHERWISE SPECIFIED DIMENSIONS IN INCHES (MM) TOLERANCES ARE: ONE PLACE DECIMALS \pm.100 TWO PLACE DECIMALS \pm.010 THREE PLACE DECIMALS \pm.005 FOUR PLACE DECIMALS \pm.002</small>		4235 Earnings Way, New Albany, Indiana, 47150, USA 1-800-782-3486 (USA/Canada/Mexico) Tel: 812-944-7244 Fax: 812-944-7268 E-mail: mle@mlelectronics.com Web: www.mlelectronics.com		Revision E
				Sheet 2/2