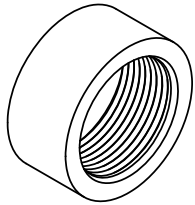


8 7 6 5 4 3 2 1

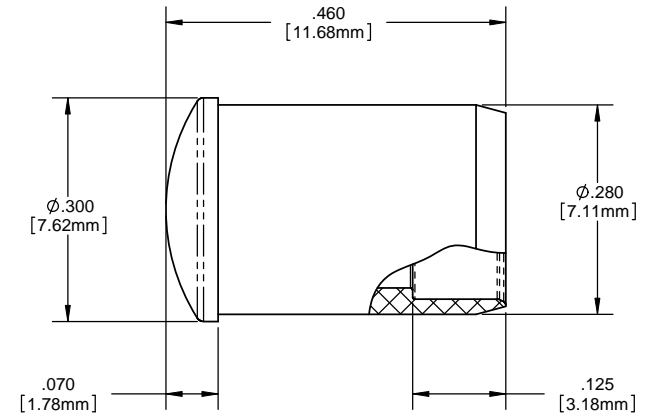
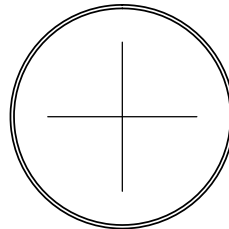
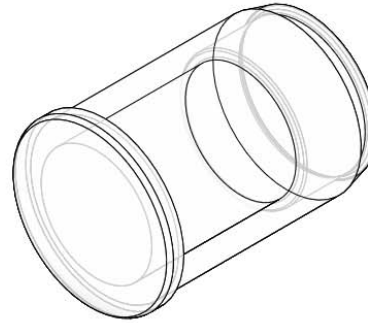
- NOTES:
1. MOUNTING: Mounts in a $\phi .281 \pm .002$ [$\phi 7.13\text{mm} \pm .05$] panel hole on .375 [9.5mm] centers. Panel thickness .031 [0.8mm] to .250 [6.35mm]. Panel hole should be deburred, but not chamfered.
 2. ASSEMBLY: Insert lens through panel hole, slide RNG 268 retainer on back of lens. PCB mounted LEDs slide into lens when the panel cover is closed or the PCB card is inserted into the case.
 3. MATERIAL: Polycarbonate, UL 94-V2
 4. U.S. & Foreign Pat. Issued & Pend.

REVISIONS				
ECN#	REV.	DESCRIPTION	DATE	INITIALS
	001	REVISED PER ECR111009AZ01	4-23-10	SMU

RETAINER
(ORDER SEPARATELY)



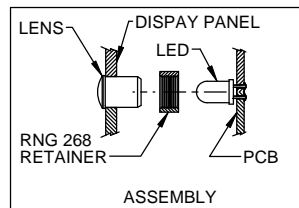
RNG 268



ORDERING CODE : **CML 327 XXX**

MODEL

LENS COLOR	
CTP	CLEAR TRANSPARENT



<small>DIMENSION STYLE: INCHES / MM GENERAL TOLERANCES UNLESS OTHERWISE SPECIFIED</small> <table border="1"> <tr><td>INCHES</td><td>±.001</td></tr> <tr><td>XX</td><td>±.002</td></tr> <tr><td>XXX</td><td>±.004</td></tr> <tr><td>XXXX</td><td>±.007</td></tr> </table>	INCHES	±.001	XX	±.002	XXX	±.004	XXXX	±.007	MATERIAL	OPTOELECTRONICS 190 BOSSTICK BLVD. SUITE 101 SAN MARCOS, CA 92069 U.S.A. PHONE: (760) 560-1300, FAX: (760) 560-1301 EMAIL: vccsales@vcclite.com
	INCHES	±.001								
XX	±.002									
XXX	±.004									
XXXX	±.007									
<table border="1"> <tr><td>FINISH</td><td>SEE NOTES</td></tr> <tr><td>APPROVAL</td><td>DATE</td></tr> <tr><td>DRAWN</td><td>SMU 4-23-10</td></tr> <tr><td>CHECKED</td><td>DZ 4-23-10</td></tr> </table>	FINISH	SEE NOTES	APPROVAL	DATE	DRAWN	SMU 4-23-10	CHECKED	DZ 4-23-10	POLYCARBONATE, UL 94-V2	
FINISH	SEE NOTES									
APPROVAL	DATE									
DRAWN	SMU 4-23-10									
CHECKED	DZ 4-23-10									
<small>THIRD ANGLE PROJECTION</small> 	FINISH SEE NOTES	TITLE: 5MM ROUND PLAIN END LENS								
<small>PROPRIETARY AND CONFIDENTIAL</small> <small>THE INFORMATION CONTAINED IN THIS DRAWING IS THE SOLE PROPERTY OF VCC OPTOELECTRONICS. NO PART OF THIS DRAWING IS TO BE REPRODUCED OR TRANSMITTED IN ANY FORM OR BY ANY MEANS WITHOUT THE WRITTEN PERMISSION OF VCC OPTOELECTRONICS.</small>	<table border="1"> <tr> <td>SCALE: 1:1</td> <td>SHEET 1 OF 1</td> </tr> </table>	SCALE: 1:1	SHEET 1 OF 1	<table border="1"> <tr> <td>SIZE DWG. NO.</td> <td>REV</td> </tr> <tr> <td>B CML 327 XXX</td> <td>001</td> </tr> </table>	SIZE DWG. NO.	REV	B CML 327 XXX	001		
SCALE: 1:1	SHEET 1 OF 1									
SIZE DWG. NO.	REV									
B CML 327 XXX	001									

8 7 6 5 4 3 2 1