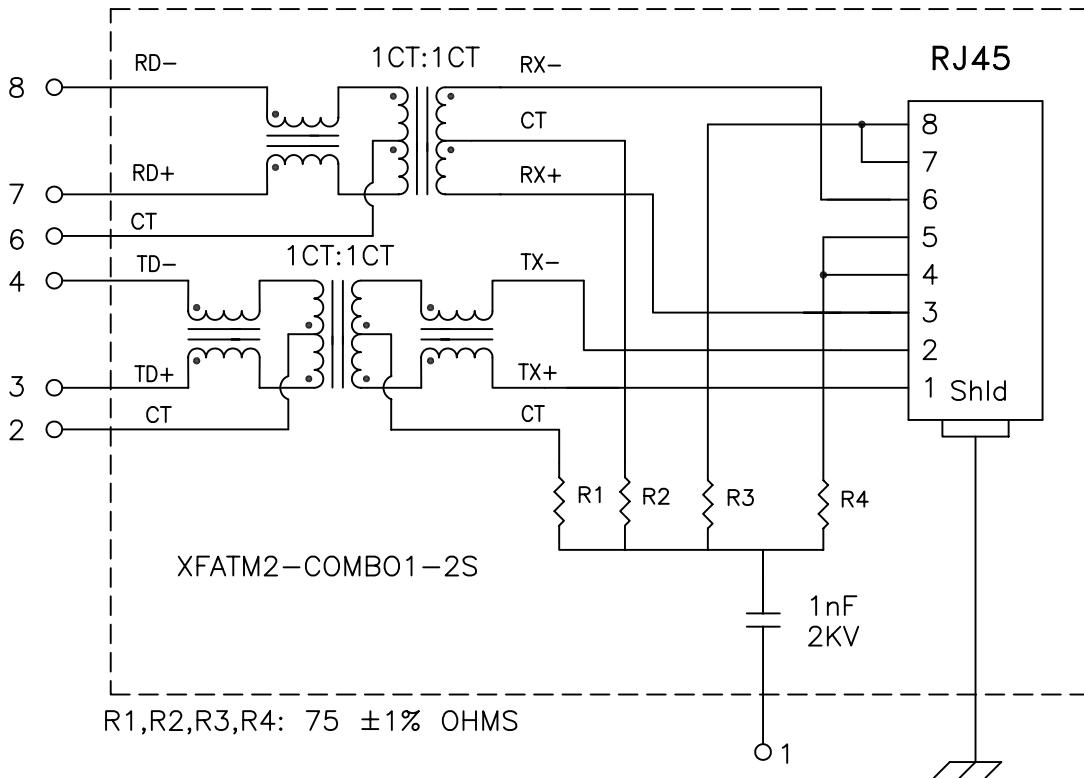


Schematic:



Electrical Specifications: @25°C

Isolation Voltage: 1500Vrms(INPUT to OUTPUT), 500Vrms(TD to RD)

UTP SIDE OCL: 350uH Min @100KHz 100mV 8mADC

Rise Time (10-90%): 2.5ns Typical

Insertion Loss (300KHz-100MHz): -1.1dB Maximum

Insertion Loss (100MHz-125MHz): -1.5dB Maximum

Return Loss: -18dB Min. @30MHz

-12dB TYP @80MHz

Crosstalk:

100KHz-60MHz -40dB Typical

60MHz-100MHz -38dB Typical

Common Mode to Differential Mode Rejection:

100KHz-60MHz -45dB Typ (Tx) / -40dB Typ (Rx)

60MHz-100MHz -40dB Typ (Tx) / -35dB Typ (Rx)

Notes:

1. Solderability: Leads shall meet MIL-STD-202G, Method 208H for solderability.
2. Flammability: UL94V-0
3. ASTM oxygen index: > 28%
4. Insulation System: Class F 155°C. UL file E151556
5. Operating Temperature Range: All listed parameters are to be within tolerance from -40°C to +85°C
6. Storage Temperature Range: -55°C to +125°C
7. Aqueous wash compatible
8. Electrical and mechanical specifications 100% tested
9. RoHS Compliant Component
10. RJ Contact type "B", and rib size specified in ECN

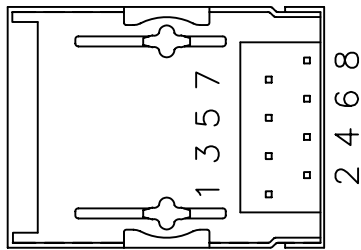
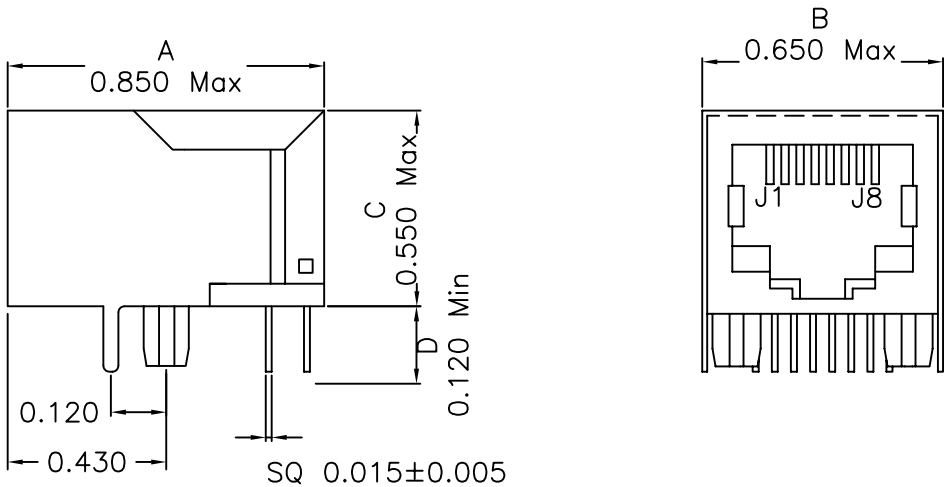
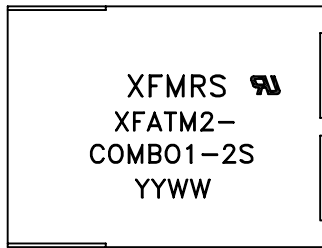
DOC. REV C/11

XFMRs Inc. www.XFMRS.com		Title: SINGLE PORT COMBO		
		P/N: XFATM2-COMBO1-2S		
UNLESS OTHERWISE SPECIFIED TOLERANCES: .xxx ±0.010 Dimensions in Inch		REV. C		
		DWN.	Mei Chen	Mar-11-10
SHEET 1 OF 1		CHK.	YK Liao	Mar-11-10
		APP.	BW	Mar-11-10

PROPRIETARY:

Document is the property of XFMRs Group & is not allowed to be duplicated without authorization.

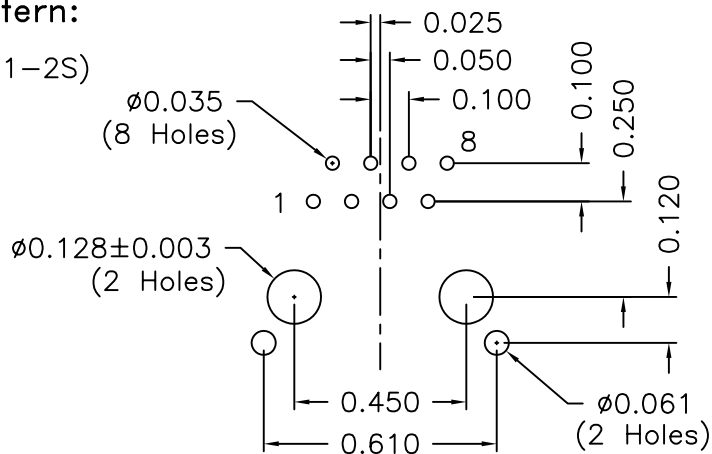
Mechanical Dimensions:



(BOTTOM VIEW)

Mounting Pattern:

(FOR COMBO1-2S)
 (COMP SIDE)



DOC. REV C/11

XFMR5 Inc.
 www.XFMRS.com

Title: Mechanical Dimensions
 For COMBO1-2S Series

UNLESS OTHERWISE SPECIFIED
 TOLERANCES:
 .xxx ±0.010
 Dimensions in Inch

P/N: XFATM2-COMBO1-2S

REV. C

DWN.

Mei Chen

Mar-11-10

CHK.

YK Liao

Mar-11-10

APP.

BW

Mar-11-10

PROPRIETARY:

Document is the property of XFMR5 Group & is not allowed to be duplicated without authorization.

SHEET 2 OF 2