

PLEASE CHECK WWW.MOLEX.COM FOR LATEST PART INFORMATION

Part Number: [0672652201](#)
Status: **Active**
Description: Universal Serial Bus (USB), Shielded I/O, Type B Receptacle, Vertical, with Kinked Pins and Grounding Pins, 4 Circuits, 0.76µm (30µ") Gold (Au) Plating, Color Black, Lead Free

Documents:

[3D Model](#) [Product Specification PS-67998-0000 \(PDF\)](#)
[Drawing \(PDF\)](#) [RoHS Certificate of Compliance \(PDF\)](#)

General

Product Family	I/O Connectors
Series	67265
Application	Wire-to-Board
Component Type	Receptacle
Product Name	USB
Type	B

Physical

Boot Color	N/A
Circuits (Loaded)	4
Circuits (maximum)	4
Gender	Receptacle
Lock to Mating Part	Yes
Material - Plating Mating	Gold
Material - Plating Termination	Tin
Number of Rows	2
Orientation	Vertical
PC Tail Length (in)	0.110 In
PC Tail Length (mm)	2.80 mm
PCB Locator	Yes
PCB Retention	Yes
PCB Thickness Recommended (in)	0.063 In
PCB Thickness Recommended (mm)	1.60 mm
Packaging Type	Tray
Panel Mount	No
Pitch - Mating Interface (in)	0.098 In
Pitch - Mating Interface (mm)	2.50 mm
Pitch - Term. Interface (in)	0.098 In
Pitch - Term. Interface (mm)	2.50 mm
Plating min: Mating (µin)	30
Plating min: Mating (µm)	0.76
Plating min: Termination (µin)	50
Plating min: Termination (µm)	1.27
Polarized to Mating Part	Yes
Polarized to PCB	Yes
Ports	1
Surface Mount Compatible (SMC)	No
Temperature Range - Operating	0°C to +50°C
Termination Interface: Style	Through Hole
Waterproof / Dustproof	No
Wire Size AWG	N/A

Electrical

Current - Maximum per Contact	1.5A
Shield Type	Full Shield

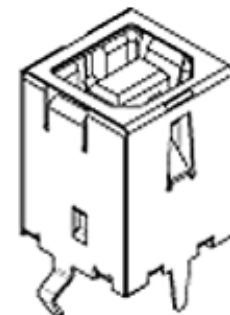


image - Reference only

Series

EU RoHS

**ELV and RoHS
Compliant**
REACH SVHC
 Not Reviewed
**Halogen-Free
Status**

China RoHS



**Need more information on product
environmental compliance?**

Email productcompliance@molex.com
 For a multiple part number RoHS Certificate of Compliance, [click here](#)

Please visit the [Contact Us](#) section for any non-product compliance questions.

Search Parts in this Series

[67265Series](#)

Mates With

USB Type B Plug

Shielded
Voltage - Maximum

Yes
30V (RMS)

Material Info

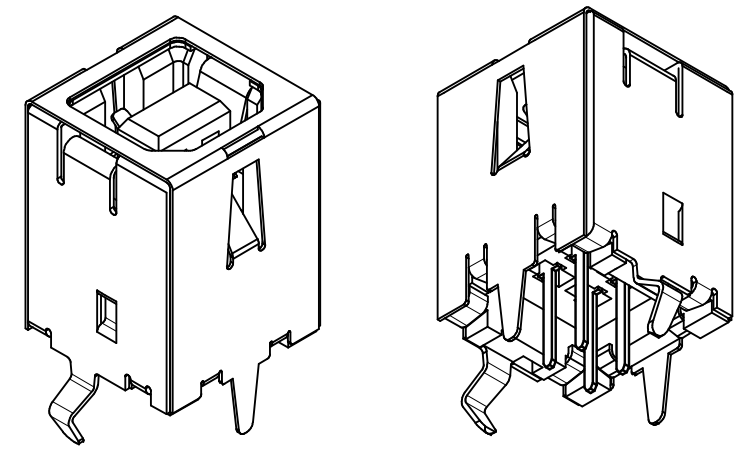
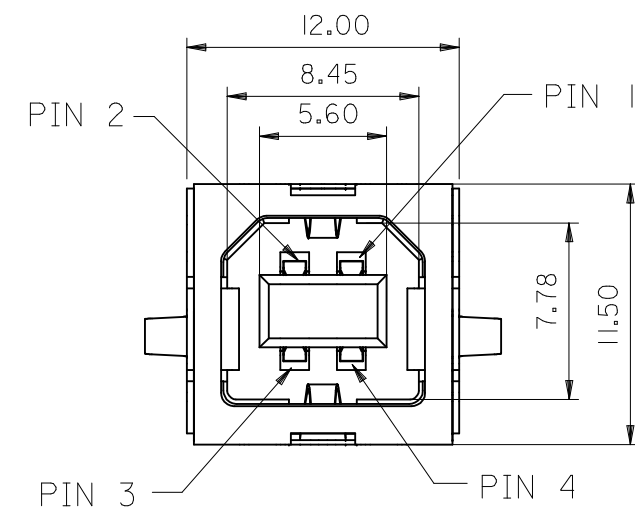
Reference - Drawing Numbers

Packaging Specification
Product Specification
Sales Drawing

PK-67265-002
PS-67998-0000
SD-67265-002

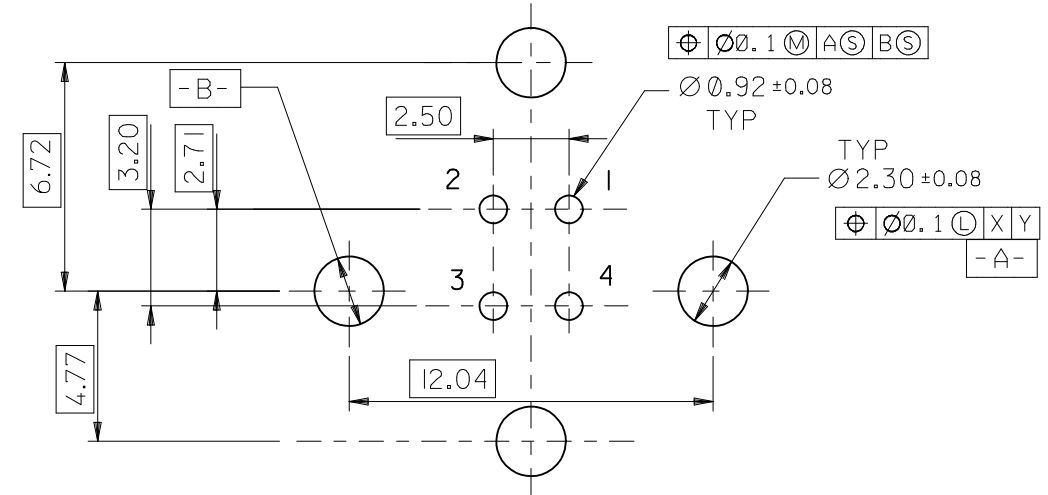
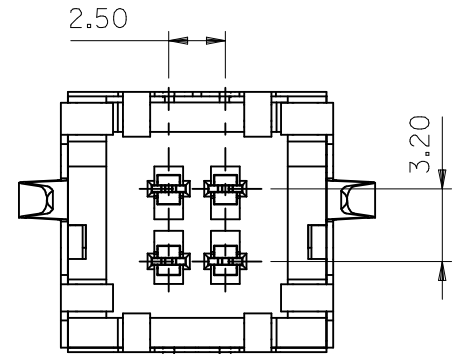
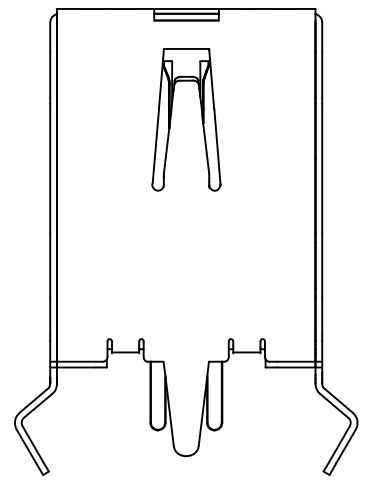
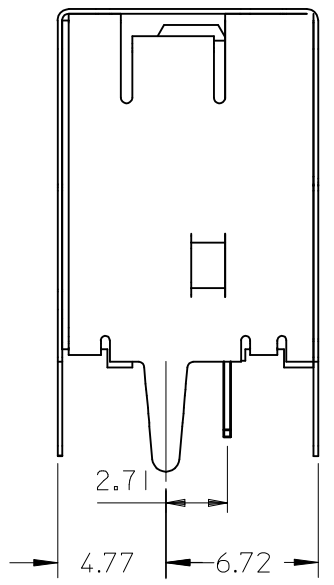
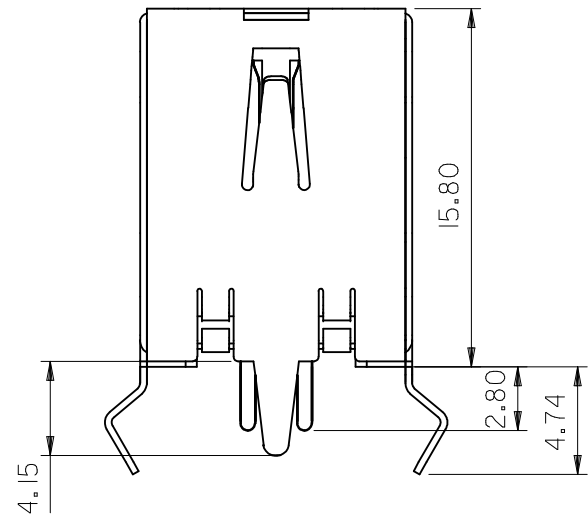
This document was generated on 05/20/2010

PLEASE CHECK WWW.MOLEX.COM FOR LATEST PART INFORMATION



NOTES :

- MATERIAL :
 HOUSING : POLYESTER ,UL94V-0 ,
 COLOR:BLACK, OR WHITE
 TERMINAL : PHOSPHOR BRONZE (PhBr)
 METAL SHELL : COPPER ALLOY
- PLATING :
 TERMINAL :
 CONTACT AREA :
 (a) GOLD FLASH.
 (b) GOLD (Au), THICKNESS=30 MICROINCH /0.76 MICROMETER
 SOLDER TAIL : (a) TIN-LEAD (90/10) ALLOY
 ,THICKNESS=150 MICROINCH/3.8 MICROMETER
 (b) PURE TIN PLATING,
 THICKNESS=50 MICROINCH/1.27MICROMETER MINIMUM.
 UNDER PLATE : NICKEL (Ni)
 ,THICKNESS=50 MICROINCH /1.27 MICROMETER
 METAL SHELL :
 (a) TIN-LEAD (Sn-Pb) ALLOY
 ,THICKNESS=100 MICROINCH /2.54 MICROMETER
 (b) PURE TIN PLATING,
 THICKNESS =50 MICROINCH/1.27 MICROMETER MINIMUM.
 UNDER PLATE : NICKEL (Ni)
 ,THICKNESS=50 MICROINCH /1.27 MICROMETER
- RECOMMENDED PCB THICKNESS : 1.60±0.05mm
- PRODUCT SPECIFICATION : REFER TO PS-67998-0000



REVISED EC NO: DRWN:YPU CHKD: APPR: 2009/09/01	QUALITY SYMBOLS ▽=0 ▽=0	GENERAL TOLERANCES (UNLESS SPECIFIED)		DIMENSION STYLE MM ONLY		SCALE 1:1	DESIGN UNITS METRIC	THIRD ANGLE PROJECTION		
			mm	INCH	DRAWN BY SAM SHIN	DATE 1998/12/21	TITLE USB B VERTICAL CONN			
		4 PLACES	± ---	± ---	CHECKED BY VLIN	DATE 1998/12/21	MOLEX INCORPORATED			
		3 PLACES	± ---	± ---	APPROVED BY NEGA LIN	DATE 1998/12/21	DOCUMENT NO. SD-67265-002		SHEET NO. 1 OF 2	
		2 PLACES	± 0.25	± ---	MATERIAL NO. SEE TABLE		THIS DRAWING CONTAINS INFORMATION THAT IS PROPRIETARY TO MOLEX INCORPORATED AND SHOULD NOT BE USED WITHOUT WRITTEN PERMISSION			
1 PLACE	± 0.25	± ---	DRAFT WHERE APPLICABLE MUST REMAIN WITHIN DIMENSIONS		SIZE A3					

REFER TO PACKING DOC. NO. PK-67265-001 PACKING: TRAY SIZE : 360*360mm (150 PIECES)				REFER TO PACKING DOC. NO. PK-67265-001 PACKING: TRAY SIZE : 360*360mm (150 PIECES)			
P/N	COLOR	CONTACT PLATING	SHELL AND SOLDER TAIL PLATING	P/N	COLOR	CONTACT PLATING	SHELL AND SOLDER TAIL PLATING
67265-0000	BLACK	GOLD FLASH	TIN LEAD PLATING	67265-2000	BLACK	GOLD FLASH	PURE TIN PLATING (lead-free)
67265-0001	BLACK	0.76 MICROMETER/30 MICROINCH GOLD		67265-2001	BLACK	0.76 MICROMETER/30 MICROINCH GOLD	
67265-1000	WHITE	GOLD FLASH		67265-3000	WHITE	GOLD FLASH	
67265-1001	WHITE	0.76 MICROMETER/30 MICROINCH GOLD		67265-3001	WHITE	0.76 MICROMETER/30 MICROINCH GOLD	
REFER TO PACKING DOC. NO. PK-67265-002 PACKING: TRAY SIZE : 360*165mm (150 PIECES)				REFER TO PACKING DOC. NO. PK-67265-002 PACKING: TRAY SIZE : 360*165mm (150 PIECES)			
P/N	COLOR	CONTACT PLATING		P/N	COLOR	CONTACT PLATING	
67265-0200	BLACK	GOLD FLASH		67265-2200	BLACK	GOLD FLASH	
67265-0201	BLACK	0.76 MICROMETER/30 MICROINCH GOLD		67265-2201	BLACK	0.76 MICROMETER/30 MICROINCH GOLD	
67265-1200	WHITE	GOLD FLASH		67265-3200	WHITE	GOLD FLASH	
67265-1201	WHITE	0.76 MICROMETER/30 MICROINCH GOLD		67265-3201	WHITE	0.76 MICROMETER/30 MICROINCH GOLD	
REFER TO PACKING DOC. NO. PK-67265-003 PACKING: TUBE			REFER TO PACKING DOC. NO. PK-67265-003 PACKING: TUBE				
P/N	COLOR	CONTACT PLATING	P/N	COLOR	CONTACT PLATING		
67265-0300	BLACK	GOLD FLASH	67265-2300	BLACK	GOLD FLASH		
67265-0301	BLACK	0.76 MICROMETER/30 MICROINCH GOLD	67265-2301	BLACK	0.76 MICROMETER/30 MICROINCH GOLD		
67265-1300	WHITE	GOLD FLASH	67265-3300	WHITE	GOLD FLASH		
67265-1301	WHITE	0.76 MICROMETER/30 MICROINCH GOLD	67265-3301	WHITE	0.76 MICROMETER/30 MICROINCH GOLD		

REVISED EC NO: SH2010-0079 DRWN: YPWU CHKD: APPR: RZHANG	2009/09/01 2009/09/02 2009/10/12	QUALITY SYMBOLS =0 =0	GENERAL TOLERANCES (UNLESS SPECIFIED)		DIMENSION STYLE MM ONLY		SCALE 1:1	DESIGN UNITS METRIC	THIRD ANGLE PROJECTION			
				mm	INCH	DRAWN BY SAM SHIN	DATE 1998/12/21	TITLE USB B VERTICAL CONN				
			4 PLACES	± ---	± ---	CHECKED BY VLIN	DATE 1998/12/21					
			3 PLACES	± ---	± ---	APPROVED BY NEGA LIN	DATE 1998/12/21	MOLEX INCORPORATED DOCUMENT NO. SD-67265-002 SHEET NO. 2 OF 2				
			2 PLACES	± 0.25	± ---	MATERIAL NO. SEE TABLE						
1 PLACE	± 0.25	± ---	DRAFT WHERE APPLICABLE MUST REMAIN WITHIN DIMENSIONS		SIZE A3		THIS DRAWING CONTAINS INFORMATION THAT IS PROPRIETARY TO MOLEX INCORPORATED AND SHOULD NOT BE USED WITHOUT WRITTEN PERMISSION					