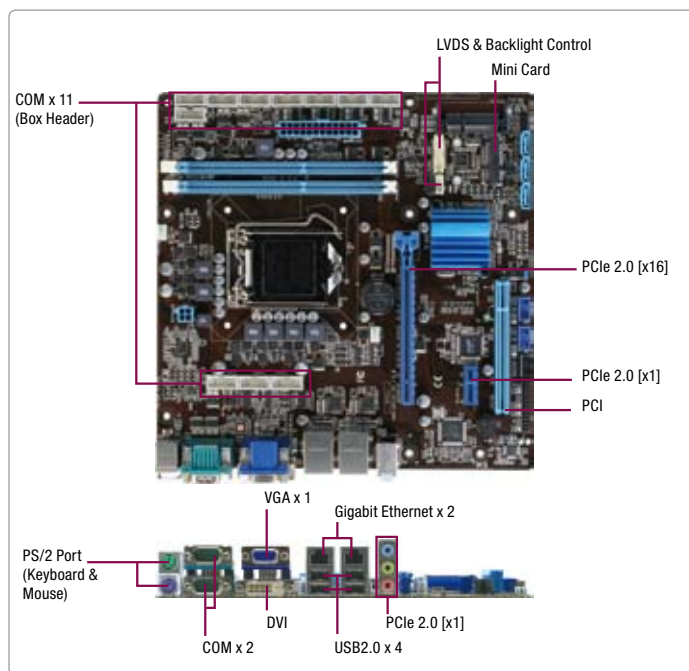


IMBM-H61A

Micro-ATX Industrial Motherboard with Intel® 2nd/3rd Generation Core™ i7/ i5/ i3/ Pentium® Processor

10

Embedded & Industrial Motherboards



Features

- Intel® 2nd/3rd Generation Core™ i7/ i5/ i3 Processor
- Intel® H61
- VGA x 1, DVI x 1, LVDS x 1
- Gigabit Ethernet x 2
- COM x 13 (RS-232 x 11, RS-232/422/485 x 2)
- SATA 3.0Gb/s x 3 + CFast™ Socket x 1 Support
- Multiple Expansion Slot: PCI-E 2.0 [x16] x 1, PCI-E 2.0 [x1] x 1, PCI x 1, Mini Card x 1



Specifications

System	
Form Factor	Micro ATX
Processor	LGA1155 Intel® 2nd/3rd Generation Core™ i7/i5/i3 Processor up to 65W
System Memory	240-pin DIMM X2 DDR3 1600/1333/1066MHz up to 16 GB
Chipset	Intel® H61
I/O Chipset	Fintech 81866D + Fintech 81216HD x 2
Ethernet	Realtek 8111F, Gigabit Ethernet, RJ-45 x 2
BIOS	AMI Plug & Play UEFI BIOS - 64MB
Wake On LAN	Yes
Watchdog Timer	Programmable 1~255 steps System reset
H/W Status Monitoring	Temperature Monitor on CPU/Chassis Voltage Monitor on Vcore /5V/3.3V/12V Fan Monitor on CPU/Chassis
Expansion Interface	PCI-E [x16] x 1, PCI-E [x1] x 1, PCI x 1, Mini Card x 1
Battery	Lithium Battery
Power Requirement	24-pin ATX connector x 1, +12V 4-pin connector x 1
Power Consumption	Intel® Core™ i5-2390T, DDR3 1333 8GB, 3.9A@12V
Board Size	9.6" x 9.6" (244 mm x 244 mm)
Gross Weight	1.55 lb (0.7 Kg)
Operation Temperature	32 °F ~ 140 °F (0 °C ~ 60 °C)
Storage Temperature	-40 °F ~ 185 °F (-40 °C ~ 85 °C)
Operation Humidity	0% ~ 90% relative humidity, non-condensin
MTBF (Hours)	87,000
Display	
Graphic Engine	Intel® Graphics Media Accelerator
Resolution	Up to 1920 x 1200 @75Hz for VGA Up to 1920 x 1200 @60Hz for DVI Up to 1920 x 1200 @60Hz for LVDS
Output Interface	VGA, DVI, LVDS
I/O	
Storage	SATA 3.0Gb/s x 3, CFast™ x 1
Serial Port	RS-232 x 11, RS-232/422/485 x 2
Parallel Port	SPP/EPP/ECP
USB	USB 2.0 x 8 (Rear I/O x 4, Pin Headers x 4)
Digital I/O	8-bit programmable (4-in / 4-out)
PS/2 Port	PS/2 Port x2 (Keyboard & Mouse)
Audio	Line-in, Mic-in, Line-out

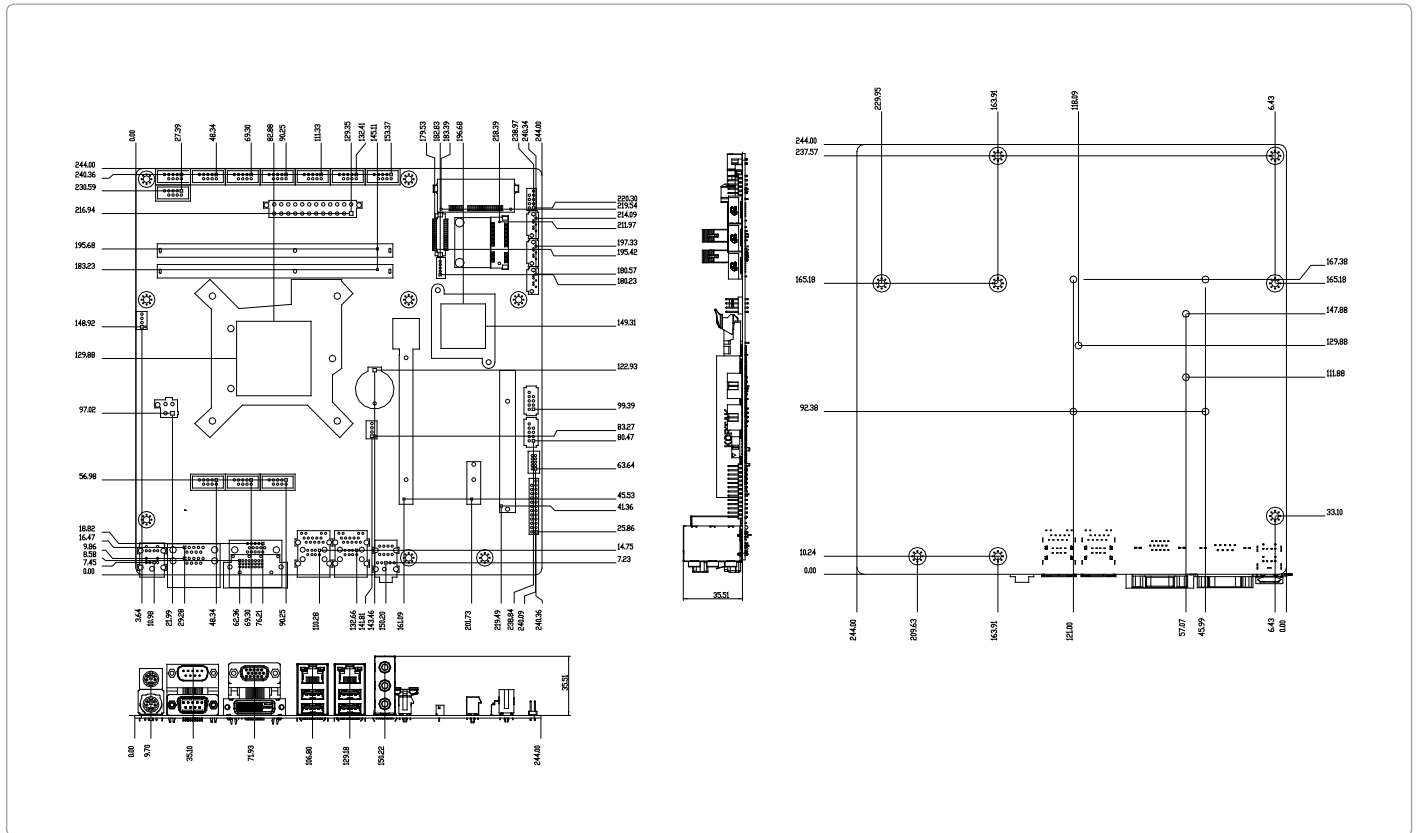
Packing List

- SATA Cable x 2
- COM Port Cable
- I/O Shield
- Product CD
- IMBM-H61A

IMBM-H61A

Dimension

Unit: mm



Ordering Information

Part Number	CPU	RAM	Fan/Fanless	Storage	Display	LVDS	LAN	USB	RS-232	RS-232/422/485	Expansion Slot	Power	Temp.
IMBM-H61A-A10-G2	Socket	DIMM	FAN	SATA2 x 3	VGA/DVI/LVDS	24-bit Dual Channel	GbE x 2	USB 2.0 x 8	11	2	PCIe[x16] x 1, PCIe[x1] x 1, PCI x 1, Mini Card x 1	ATX	0°C ~ 60°C

Optional Accessories

- USB2.0 Cable
- CPU Cooler
- 1709070800
SATA Cable
- 1701100302
COM Port Cable
- LPT Cable