

PLEASE CHECK WWW.MOLEX.COM FOR LATEST PART INFORMATION

Part Number: [0082245918](#)
Status: **Active**
Description: 2.54mm (.100") Pitch Round Conductor Flat Cable - 24 AWG (7 x 32) Stranded, Topcoat, 18 Circuits, Reel 30.48m (100.0') Length

Documents:

[Drawing \(PDF\)](#) [RoHS Certificate of Compliance \(PDF\)](#)

Agency Certification

CSA LR61126
 UL E61522

General

Product Family Cable
 Series [8997](#)
 Crimp Quality Equipment Yes
 Geographic Area Asia
 Product Name Ribbon

Physical

Cable Length 30.48m (100.0')
 Circuits (Loaded) 18
 Insulation PVC
 Packaging Type Reel
 Pitch - Term. Interface (in) 0.100 In
 Pitch - Term. Interface (mm) 2.54 mm
 Temperature Range - Operating -20°C to +105°C
 Wire Size AWG 24
 Wire/Cable Type (7x32) Stranded, Topcoat

Electrical

Current - Maximum per Contact N/A
 Voltage - Maximum 300V

Material Info

Old Part Number 8997-18-100B

Reference - Drawing Numbers

Sales Drawing SD-8997-001



EU RoHS

ELV and RoHS Compliant
REACH SVHC
 Not Reviewed
Halogen-Free Status
 Not Reviewed

China RoHS



Need more information on product environmental compliance?

Email productcompliance@molex.com
 For a multiple part number RoHS Certificate of Compliance, [click here](#)

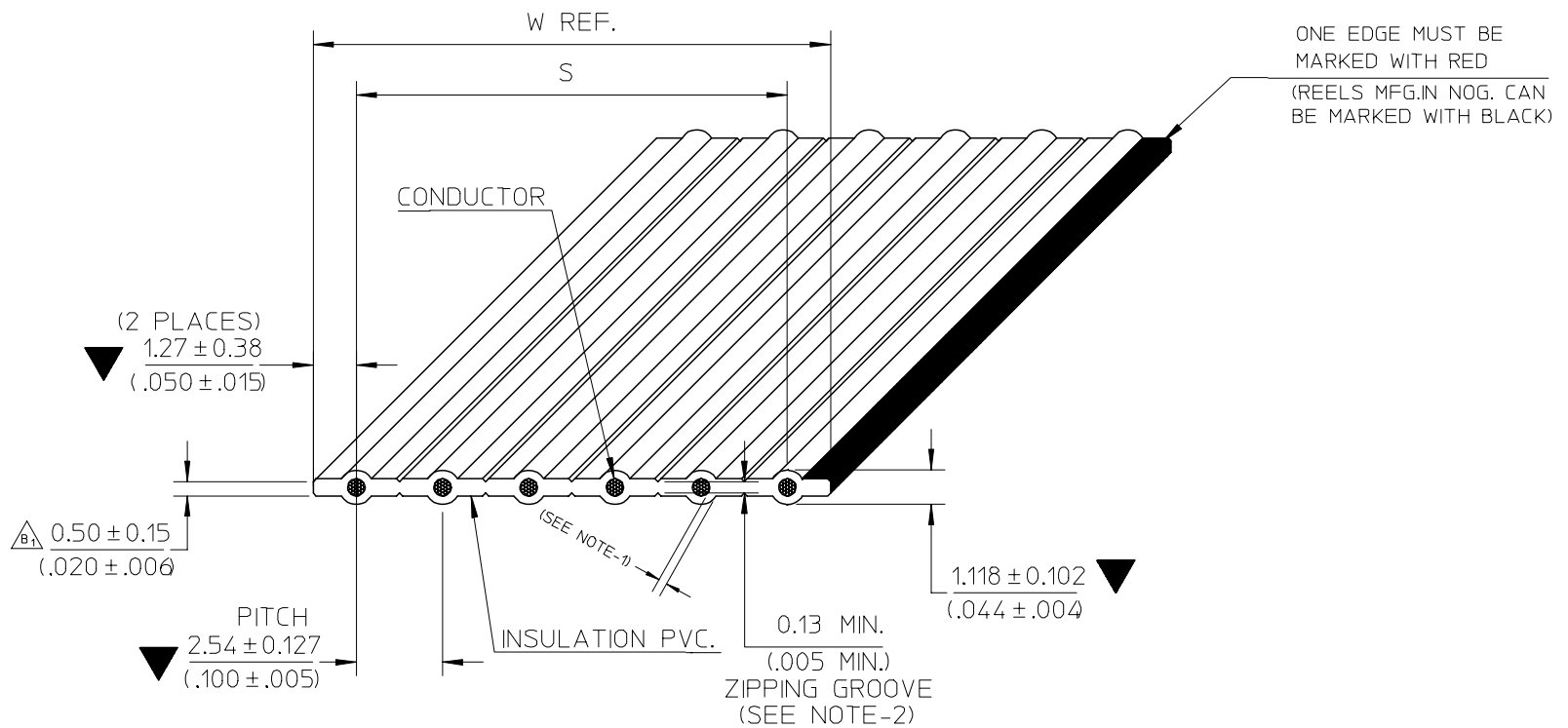
Please visit the [Contact Us](#) section for any non-product compliance questions.

Search Parts in this Series

[8997Series](#)

Use With

[70400](#) C-Grid SL™ IDT Connector Assembly.
[70475](#) SL™ IDT Connector Assembly.
[7720](#) KK® IDT Double Cantilever Contact



- NOTE :**
1. THE CABLE SHALL HAVE A MINIMUM OF 0.178mm. (.007") THICKNESS INSULATION AT ANY POINT
 2. RIP TEST:
 - THE 0.13mm. (.005") ZIPPING GROOVE SHALL BE CAPABLE OF BEING RIPPED BY HAND WITHIN THE RECESS, WITHOUT EXPOSING THE ADJACENT CONDUCTORS
 3. RoHS AND LEAD FREE COMPLIANT
 4. SPECIAL REQUIREMENT: N/A

B	E-07-0748	B ₄ : ADD NON-OPERATING TEMP. B ₃ : ADD SOLDERING CONDITION B ₂ : CHANGE ELECTRICAL B ₁ : CHANGE WEB THICKNESS	07/09/26
A	N/A	NEW RELEASE	06/07/18
REV. HISTORY	EC NO.	DETAIL	DATE

SEE CHANGE DETAIL EC NO: THL2008-0015 DRWN: CPANSAKHOM 2007/11/28 CHKD: DNARINTARA 2007/11/29 APPR: SVIRATJAPOL 2007/12/04	QUALITY SYMBOLS	GENERAL TOLERANCES (UNLESS SPECIFIED)		DIMENSION STYLE	SCALE	DESIGN UNITS	THIRD ANGLE PROJECTION
	▽=3 ▽=0	mm	INCH	MM/IN	NTS	INCH	
		4 PLACES ± ---	± ---	DRAWN BY	DATE	TITLE	
		3 PLACES ± ---	± ---	CPANSAKHOM	2006/07/18	FCB ROUND CONDUCTOR 2.54MM(.100)CENTER PVC. 24AWG STRANDED TOPCOATED	
	2 PLACES ± ---	± ---	CHECKED BY	DATE	MATERIAL NO.		SHEET NO.
	1 PLACE ± ---	± ---	PMEECHAI	2006/07/18	SD-8997-001		1 OF 3
		ANGULAR ± ---°	APPROVED BY	DATE	MATERIAL NO. DOCUMENT NO. SHEET NO.		
			SVIRATJAPOL	2006/07/18	MATERIAL NO. DOCUMENT NO. SHEET NO.		
			DRAFT WHERE APPLICABLE MUST REMAIN WITHIN DIMENSIONS		MATERIAL NO. DOCUMENT NO. SHEET NO.		
			SEE CHART		MATERIAL NO. DOCUMENT NO. SHEET NO.		
			THIS DRAWING CONTAINS INFORMATION THAT IS PROPRIETARY TO MOLEX INCORPORATED AND SHOULD NOT BE USED WITHOUT WRITTEN PERMISSION				

SPECIFICATIONS

PHYSICAL

CONDUCTOR SPACING ----- 2.54 (.100") \bar{C} TO \bar{C}
 WIRE GAUGE ----- 24 AWG(7/32) STRANDED TOPCOATED
 INSULATION ----- P.V.C GRAY (LEAD FREE)

AGENCY

U.L. STYLE NO. ----- 2651
 TEMPERATURE RATING ----- -20°C TO 105°C
 VOLTAGE RATING ----- 300V.MAX.
 FLAMMABILITY RATING ----- VW-1

\triangle_{B_2} ELECTRICAL

CONDUCTOR RESISTANCE (D.C.) ----- 27m. OHMS/FT. MAX.
 CHARACTERISTIC IMPEDANCE ----- 134 OHMS NOM. (GS)
 114 OHMS NOM. (GSG)
 CAPACITANCE ----- 6.6 pF/FT. NOM. (GS)
 12.0 pF/FT. NOM. (GSG)
 PROPAGATION DELAY ----- 1.4 ns/FT. NOM.
 INSULATION RESISTANCE ----- 10M OHMS (10FT. SAMPLE)
 DIELECTRIC WITHSTAND VOLTAGE ----- 2000 VRMS/MINUTE

GENERAL

\triangle_{B_4} NON-OPERATING TEMPERATURE ----- -20°C TO 105°C
 FAULTS AND/OR SPLICES ----- 1/REEL MAX. 100 \pm ₀³ FT. (30.48 \pm ₀^{0.914} M.)/REEL
 20FT. (6.096M.) MIN. LENGTH

\triangle_{B_3} SOLDERING CONDITION

SOLDER TEMPERATURE ----- 260°C. MAX.
 SOLDERING TIME ----- 3 SECOND, MAX.
 INSULATION SHRINK ----- 2MM. NOM.

SEE CHANGE DETAIL EC NO: THL2008-0015 DRWN: CPANSAKHOM 2007/11/28 CHKD: DNARINTARA 2007/11/29 APPR: SVIRATJAPOL 2007/12/04	DESCRIPTION REV	QUALITY SYMBOLS	GENERAL TOLERANCES (UNLESS SPECIFIED)		DIMENSION STYLE		SCALE	DESIGN UNITS	THIRD ANGLE PROJECTION			
		$\blacktriangledown =$ $\triangle =$	mm	INCH	MM/IN	NTS	INCH	DRAWN BY CPANSAKHOM DATE 2006/07/18 CHECKED BY DATE PMEECHAI 2006/07/18 APPROVED BY SVIRATJAPOL DATE 2006/07/18 MATERIAL NO. SEE CHART DOCUMENT NO. SD-8997-001 SHEET NO. 2 OF 3				
			4 PLACES \pm ----	\pm ----			TITLE					
				3 PLACES \pm ----	\pm ----		FCB ROUND CONDUCTOR				MOLEX INCORPORATED	
				2 PLACES \pm ----	\pm ----		2.54MM(.100)CENTER PVC.					
		1 PLACE \pm ----	\pm ----		24AWG STRANDED TOPCOATED							
		ANGULAR \pm ----°			DRAFT WHERE APPLICABLE MUST REMAIN WITHIN DIMENSIONS							

E

E

CHART A				
DIMENSIONS MM. (INCHES)				
ENGINEERING NO.	ORDER NO.	NO. OF CONDUCTOR	DIMENSION S	DIM. W (REF.)
8997-02-100B	82-24-5902	2	2.54±0.127(.100±.005)	5.08 (.200)
↑ -03- ↑	↑ 03	3	5.08±0.20 (.200±.008)	7.62 (.300)
-04-	04	4	7.62±0.30 (.300±.012)	10.16 (.400)
-05-	05	5	10.16±0.33 (.400±.013)	12.70 (.500)
-06-	06	6	12.70±0.33 (.500±.013)	15.24 (.600)
-07-	07	7	15.24±0.33 (.600±.013)	17.78 (.700)
-08-	08	8	17.78±0.33 (.700±.013)	20.32 (.800)
-09-	09	9	20.32±0.33 (.800±.013)	22.86 (.900)
-10-	10	10	22.86±0.33 (.900±.013)	25.40 (1.000)
-11-	11	11	25.40±0.33 (1.000±.013)	27.94 (1.100)
-12-	12	12	27.94±0.33 (1.100±.013)	30.48 (1.200)
-13-	13	13	30.48±0.33 (1.200±.013)	33.02 (1.300)
-14-	14	14	33.02±0.33 (1.300±.013)	35.56 (1.400)
-15-	15	15	35.56±0.33 (1.400±.013)	38.10 (1.500)
-16-	16	16	38.10±0.33 (1.500±.013)	40.64 (1.600)
-17-	17	17	40.64±0.33 (1.600±.013)	43.18 (1.700)
-18-	18	18	43.18±0.33 (1.700±.013)	45.72 (1.800)
↓ -19- ↓	↓ 19	19	45.72±0.33 (1.800±.013)	48.26 (1.900)
8997-20-100B	82-24-5920	20	48.26±0.33 (1.900±.013)	50.80 (2.000)

ENGINEERING NO.

8997-XX-XXXX
 A B C D

A : CABLE 2.54mm. (.100") CENTERS 24AWG STRANDED TOPCOATED
 B : CONDUCTOR SIZE (AVAILABILITY 2 THROUGH 20)
 C : CABLE LENGTH 100FT. (30.48M.)
 D : A = INCHES
 B = FEET

D

D

C

C

B

B

A

A

SEE CHANGE DETAIL EC NO: THL2008-0015 DRWN: CPANSAKHOM 2007/11/28 CHKD: DNARINTARA 2007/11/29 APPR: SVIRATJAPOL 2007/12/04	QUALITY SYMBOLS 	GENERAL TOLERANCES (UNLESS SPECIFIED)		DIMENSION STYLE MM/IN	SCALE NTS	DESIGN UNITS INCH	THIRD ANGLE PROJECTION		
			mm	INCH	DRAWN BY CPANSAKHOM	DATE 2006/07/18	TITLE FCB ROUND CONDUCTOR 2.54MM(.100)CENTER PVC. 24AWG STRANDED TOPCOATED		
		4 PLACES	±----	±----	CHECKED BY PMEECHAI	DATE 2006/07/18	MOLEX INCORPORATED		
		3 PLACES	±----	±----	APPROVED BY SVIRATJAPOL	DATE 2006/07/18	DOCUMENT NO. SD-8997-001	SHEET NO. 3 OF 3	
		2 PLACES	±----	±----	DRAFT WHERE APPLICABLE MUST REMAIN WITHIN DIMENSIONS				
1 PLACE	±----	±----	SIZE A 4 THIS DRAWING CONTAINS INFORMATION THAT IS PROPRIETARY TO MOLEX INCORPORATED AND SHOULD NOT BE USED WITHOUT WRITTEN PERMISSION						
ANGULAR ±----°									