

**PLEASE CHECK WWW.MOLEX.COM FOR LATEST PART INFORMATION**

**Part Number:** **0428920086**  
**Status:** **Active**  
**Description:** 3.96mm (.156") Pitch KK® Solid Header, Right Angle, Friction Lock, with Snap-in Plastic Peg PCB Lock, 8 Circuits, 0.38µm (15µ") Gold (Au) Selective Plating

**Documents:**

[3D Model](#) [Product Specification PS-08-50 \(PDF\)](#)  
[Drawing \(PDF\)](#) [RoHS Certificate of Compliance \(PDF\)](#)  
[Packaging Specification \(PDF\)](#)

**General**

Product Family PCB Headers  
Series 42892  
Application Wire-to-Board  
Product Name KK®

**Physical**

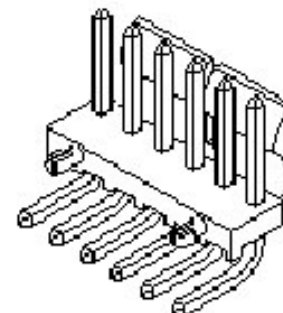
Breakaway No  
Circuits (Loaded) 8  
Circuits (maximum) 8  
Durability (mating cycles max) 100  
Flammability 94V-0  
Glow-Wire Compliant No  
Lock to Mating Part Yes  
Material - Metal Brass  
Material - Plating Mating Gold  
Material - Plating Termination Tin  
Number of Rows 1  
Orientation Right Angle  
PC Tail Length (in) 0.130 In  
PC Tail Length (mm) 3.30 mm  
PCB Locator Yes  
PCB Retention Yes  
PCB Thickness Recommended (in) 0.062 In  
PCB Thickness Recommended (mm) 1.60 mm  
Packaging Type Bag  
Pitch - Mating Interface (in) 0.156 In  
Pitch - Mating Interface (mm) 3.96 mm  
Plating min: Mating (µin) 15  
Plating min: Mating (µm) 0.38  
Plating min: Termination (µin) 100  
Plating min: Termination (µm) 2.5  
Polarized to Mating Part Yes  
Polarized to PCB Yes  
Shrouded Partial  
Stackable Yes  
Temperature Range - Operating 0°C to +75°C  
Termination Interface: Style Through Hole

**Electrical**

CSA LR19980  
Current - Maximum 7A  
UL E29179  
Voltage - Maximum 250V

**Material Info**

**Reference - Drawing Numbers**



Series image - Reference only

**EU RoHS**

**ELV and RoHS  
Compliant**  
**REACH SVHC  
Contains SVHC: No**  
**Halogen-Free  
Status  
Not Reviewed**

**China RoHS**



**Need more information on product  
environmental compliance?**

Email [productcompliance@molex.com](mailto:productcompliance@molex.com)  
Please visit the [Contact Us](#) section for any non-product compliance questions.

Duration at Max. 5  
Process Temperature (seconds)  
Lead-free Process Wave Capable (TH Capability only)  
Max. Cycles at Max. 1  
Process Temperature  
Process Temperature 235 max. C

**Search Parts in this Series**

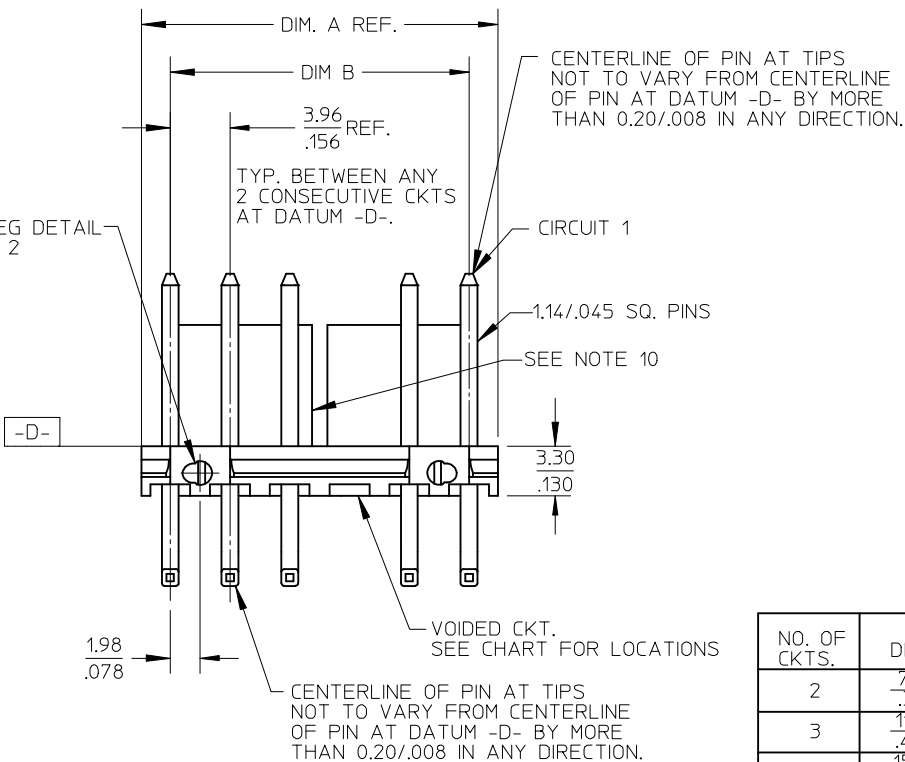
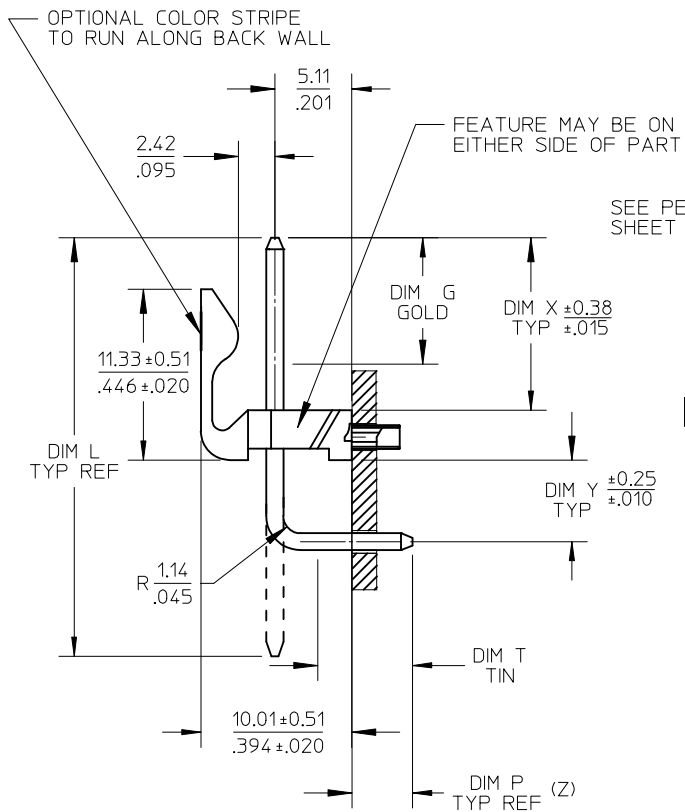
42892 Series

**Mates With**

[3069](#) , [2139](#) , [2145](#) , [6442](#) , [7674](#) , [7675](#) , [41695](#) , L ink:41815

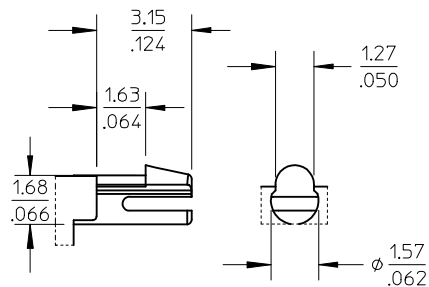
This document was generated on 11/05/2009

**PLEASE CHECK [WWW.MOLEX.COM](http://WWW.MOLEX.COM) FOR LATEST PART INFORMATION**

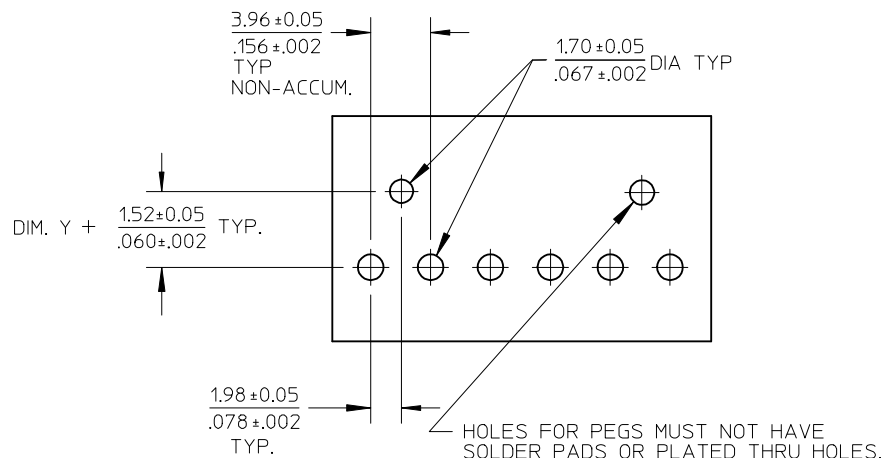


NO. OF CKTS.	DIM. A	DIM. B	SLOT LOC BETWEEN CKTS
2	7.77 .306	3.96±0.05 .156±.002	NONE
3	11.73 .462	7.92±0.08 .312±.003	NONE
4	15.70 .618	11.89±0.08 .468±.003	NONE
5	19.66 .774	15.85±0.10 .624±.004	NONE
6	23.62 .930	19.81±0.10 .780±.004	3 & 4
7	27.58 1.086	23.77±0.10 .936±.004	4 & 5
8	31.55 1.242	27.74±0.13 1.092±.005	4 & 5
9	35.51 1.398	31.70±0.13 1.248±.005	5 & 6
10	39.47 1.554	35.66±0.13 1.404±.005	5 & 6
11	43.43 1.710	39.62±0.15 1.560±.006	6 & 7
12	47.40 1.866	43.59±0.15 1.716±.006	4 & 5 8 & 9

ADD SLOT EC NO: UCP2009-2603 DRWN:MK LIPPER 2009/05/04 CH'KD:SSOUSEK 2009/05/04 APPR:FSM TH 2009/05/04	QUALITY SYMBOLS ▽=0 ◻=0	GENERAL TOLERANCES (UNLESS SPECIFIED)		DIMENSION STYLE	SCALE	DESIGN UNITS	THIRD ANGLE PROJECTION	
				MM/IN	2:1	INCH		
		4 PLACES ± ---	mm ± ---	INCH ± ---	DRAWN BY	DATE		TITLE FRICTION LOCK HDR. ASSY. .156 BENT SQ PINS W/PEGS RT. ANGLE MOUNT
		3 PLACES ± ---	mm ± ---	INCH ± .010	SCHAFER	12-12-03		
2 PLACES ± 0.25	mm ± 0.25	INCH ± .015	CHECKED BY	DATE	MOLEX INCORPORATED			
1 PLACE ± 0.38	mm ± 0.38	INCH ± ---	SAMIEC	12-15-03				
		ANGULAR ±1/2°	APPROVED BY	DATE	DOCUMENT NO.	SHEET NO.		
		DRAFT WHERE APPLICABLE MUST REMAIN WITHIN DIMENSIONS	MARGULIS	12-19-03	SD-42892-001	1 OF 2		
			MATERIAL NO.	SEE CHART				
			SIZE	THIS DRAWING CONTAINS INFORMATION THAT IS PROPRIETARY TO MOLEX INCORPORATED AND SHOULD NOT BE USED WITHOUT WRITTEN PERMISSION				



PEG DETAIL



RECOMMENDED PC BOARD HOLE LAYOUT:  
COMPONENT SIDE FOR 1.57/.062 THICK PCB

FOR CORRECT ORIENTATION OF PARTS WITH  
VOIDS, ELIMINATE CORRESPONDING PCB HOLE.

NOTES:

- MATERIAL: HEADER-GLASS FILLED POLYESTER, 94V-0, MOLDED NATURAL WHITE PINS: BRASS
- FINISHES: (102) OVERALL TIN: 0.00508/.000200 OVER 0.00254/.000100 COPPER  
 (208) SELECT GOLD: 0.00038/.000015  
 \*SELECT TIN: 0.00254/.000100  
 OVERALL NICKEL UNDERPLATE: 0.00127/.000050  
 (228) SELECT GOLD: 0.00076/.000030  
 \*SELECT TIN: 0.00254/.000100  
 OVERALL NICKEL UNDERPLATE: 0.00127/.000050  
 (501) OVERALL GOLD: 0.00051/.000020  
 OVERALL NICKEL UNDERPLATE: 0.00076/.000030
- PRODUCT SPECIFICATION: SEE PS-08-50.
- PACKAGING INFO: SEE TABLES
- SOLDERABILITY: PER SMES-152
- PIN PUSH OUT FORCE: PRIOR TO SOLDERING, A 3 LB MINIMUM FORCE (IN EITHER DIRECTION) SHALL BE REQUIRED TO PUSH THE PIN OUT OF THE HEADER.
- PARTS ARE STACKABLE END TO END ON (3.96)/.156 CENTERS.
- FOR PART WITHOUT PEGS SEE DWG. NO. SDA-41792.
- THIS PART CONFORMS TO CLASS B REQUIREMENTS OF COSMETIC SPECIFICATION PS-45499-002.
- SLOTS ON BACKWALL ARE BETWEEN CIRCUITS. SEE CHART FOR LOCATION.

SEE SHEET 1 EC NO: UCP2009-2603 DRWN:MKIPPER 2009/05/04 CHKD:SSOUSEK 2009/05/04 APPR:FSM/TH 2009/05/04	QUALITY SYMBOLS ▽=0 ▽=0	GENERAL TOLERANCES (UNLESS SPECIFIED)		DIMENSION STYLE MM/IN		SCALE 2:1	DESIGN UNITS INCH	THIRD ANGLE PROJECTION		
			mm	INCH	DRAWN BY SCHAFFER	DATE 12-12-03	TITLE FRICTION LOCK HDR. ASSY. .156 BENT SQ PINS W/PEGS RT. ANGLE MOUNT			
		4 PLACES	± ---	± ---	CHECKED BY SAMIEC	DATE 12-15-03				
		3 PLACES	± ---	± .010	APPROVED BY MARGULIS	DATE 12-19-03	DOCUMENT NO. SD-42892-001			
2 PLACES	± 0.25	± .015	MATERIAL NO. SEE CHART							
1 PLACE	± 0.38	± ---	ANGULAR ±1/2°		SHEET NO. 2 OF 2					
DRAFT WHERE APPLICABLE MUST REMAIN WITHIN DIMENSIONS		THIS DRAWING CONTAINS INFORMATION THAT IS PROPRIETARY TO MOLEX INCORPORATED AND SHOULD NOT BE USED WITHOUT WRITTEN PERMISSION								

OPTIONS	Group	A-42892-0002/0018	Group	A-42892-0080/0096	Group	A-42892-0097/0113	Group	A-42892-0019/0035
	Header No:	41790-0070/0086	Header No:	41790-0070/0086	Header No:	41790-0070/0086	Header No:	41790-0070/0086
	Pin No:	2161-62(102)	Pin No:	43294-0452	Pin No:	43290-0453	Pin No:	2161-62(501)
	Plating:	102	Plating:	208	Plating:	228	Plating:	501
	Pin Length L	24.89/ .980	Pin Length L	24.89/ .980	Pin Length L	24.89/ .980	Pin Length L	24.89/ .980
	Mating M	11.43/ .450	Mating M	11.43/ .450	Mating M	11.43/ .450	Mating M	11.43/.450
	Gold Loc G	N/A	Gold Loc G	6.86/ .270	Gold Loc G	6.86/ .270	Gold Loc G	OVERALL
	Dim. Y	2.82/ .111	Dim. Y	2.82/ .111	Dim. Y	2.82/ .111	Dim. Y	2.82/ .111
	PC Tail P	3.30/ .130	PC Tail P	3.30/ .130	PC Tail P	3.30/ .130	PC Tail P	3.30/ .130
	Tin Loc T	OVERALL	Tin Loc T	4.06/ .160	Tin Loc T	4.06/ .160	Tin Loc T	N/A
Voided Ckts	NONE	Voided Ckts	NONE	Voided CKts	NONE	Voided Ckts	NONE	
Pack Per	PK-42492-002	Pack Per	PK-42492-002	Pack Per	PK-42492-002	Pack Per	PK-42492-002	
Ckts	Material No	Engineer Number	Material No	Engineer Number	Material No	Engineer Number	Material No	Engineer Number
2	26-60-7020	A-42892-0002	42892-0080	A-42892-0080	42892-0097	A-42892-0097	26-60-7021	A-42892-0019
3	26-60-7030	A-42892-0003	42892-0081	A-42892-0081	42892-0098	A-42892-0098	26-60-7031	A-42892-0020
4	26-60-7040	A-42892-0004	42892-0082	A-42892-0082	42892-0099	A-42892-0099	26-60-7041	A-42892-0021
5	26-60-7050	A-42892-0005	42892-0083	A-42892-0083	42892-0100	A-42892-0100	26-60-7051	A-42892-0022
6	26-60-7060	A-42892-0006	42892-0084	A-42892-0084	42892-0101	A-42892-0101	26-60-7061	A-42892-0023
7	26-60-7070	A-42892-0007	42892-0085	A-42892-0085	42892-0102	A-42892-0102	26-60-7071	A-42892-0024
8	26-60-7080	A-42892-0008	42892-0086	A-42892-0086	42892-0103	A-42892-0103	26-60-7081	A-42892-0025
9	26-60-7090	A-42892-0009	42892-0087	A-42892-0087	42892-0104	A-42892-0104	26-60-7091	A-42892-0026
10	26-60-7100	A-42892-0010	42892-0088	A-42892-0088	42892-0105	A-42892-0105	26-60-7101	A-42892-0027
11	26-60-7110	A-42892-0011	42892-0089	A-42892-0089	42892-0106	A-42892-0106	26-60-7111	A-42892-0028
12	26-60-7120	A-42892-0012	42892-0090	A-42892-0090	42892-0107	A-42892-0107	26-60-7121	A-42892-0029

<b>G2</b>	REV:	<u>ECR/ECN INFORMATION</u>	<u>TITLE:</u>	<b>FRICITION LOCK HDR. ASSY. .156 BENT SQ PINS W/PEGS RT. ANGLE MOUNT</b>	<u>SHEET No.</u>
		EC NO: <b>UCP2008-0727</b>			<b>- 3 -</b>
		DATE <b>10/8/2007</b>			
<u>DOCUMENT NUMBER:</u>		<u>CREATED / REVISED BY:</u>	<u>CHECKED BY:</u>	<u>APPROVED BY:</u>	
<b>SD-42892-001</b>		<b>ADERR</b>	<b>ADERR</b>	<b>FSMITH</b>	

OPTIONS	Group	A-42892-0036/0052	Group	A-42892-0053/0067	Group	A-42892-0068/0079	Group	A-42892-0114/0118
	Header No:	41790-0070/0086	Header No:	41790-0070/0086	Header No:	41790-0070/0086	Header No:	41790-0070/0086
	Pin No:	2161-62(102)	Pin No:	2161-62(102)	Pin No:	2161-62(102)	Pin No:	2161-62(102)
	Plating:	102	Plating:	102	Plating:	102	Plating:	102
	Pin Length L	24.89/ .980	Pin Length L	24.89/ .980	Pin Length L	24.89/ .980	Pin Length L	24.89/ .980
	Mating M	11.43/ .450	Mating M	11.43/ .450	Mating M	11.43/ .450	Mating M	11.43/ .450
	Gold Loc G	N/A	Gold Loc G	N/A	Gold Loc G	N/A	Gold Loc G	N/A
	Dim. Y	2.82/ .111	Dim. Y	2.82/ .111	Dim. Y	2.82/ .111	Dim. Y	2.82/ .111
	PC Tail P	3.30/ .130	PC Tail P	3.30/ .130	PC Tail P	3.30/ .130	PC Tail P	3.30/ .130
	Tin Loc T	OVERALL	Tin Loc T	OVERALL	Tin Loc T	OVERALL	Tin Loc T	OVERALL
Voided Ckts	2	Voided Ckts	4	Voided CKts	7	Voided Ckts	2, 4, 6, 8, 10, 14	
Pack Per	PK-42492-002	Pack Per	PK-42492-002	Pack Per	PK-42492-002	Pack Per	PK-42492-002	
Ckts	Material No	Engineer Number	Material No	Engineer Number	Material No	Engineer Number	Material No	Engineer Number
2	26-62-7020	A-42892-0036						
3	26-62-7030	A-42892-0037						
4	26-62-7040	A-42892-0038	26-62-7041	A-42892-0053				
5	26-62-7050	A-42892-0039	26-62-7051	A-42892-0054				
6	26-62-7060	A-42892-0040	26-62-7061	A-42892-0055				
7	26-62-7070	A-42892-0041	26-62-7071	A-42892-0056	26-62-7072	A-42892-0068		
8	26-62-7080	A-42892-0042	26-62-7081	A-42892-0057	26-62-7082	A-42892-0069		
9	26-62-7090	A-42892-0043	26-62-7091	A-42892-0058	26-62-7092	A-42892-0070		
10	26-62-7100	A-42892-0044	26-62-7101	A-42892-0059	26-62-7102	A-42892-0071		
11	26-62-7110	A-42892-0045	26-62-7111	A-42892-0060	26-62-7112	A-42892-0072		
12	26-62-7120	A-42892-0046	26-62-7121	A-42892-0061	26-62-7122	A-42892-0073		

<b>G2</b>	REV:	<u>ECR/ECN INFORMATION</u>	<u>TITLE:</u>	<b>FRICITION LOCK HDR. ASSY. .156 BENT SQ PINS W/PEGS RT. ANGLE MOUNT</b>	<u>SHEET No.</u>
		EC NO: <b>UCP2008-0727</b>			<b>- 4 -</b>
		DATE <b>10/8/2007</b>			
<u>DOCUMENT NUMBER:</u>		<u>CREATED / REVISED BY:</u>		<u>CHECKED BY:</u>	<u>APPROVED BY:</u>
<b>SD-42892-001</b>		<b>ADERR</b>		<b>ADERR</b>	<b>FSMITH</b>

OPTIONS	Group	A-42892-0119/0133	Group		Group		Group	
	Header No:	41790-0070/0086	Header No:		Header No:		Header No:	
	Pin No:	2161-62(102)	Pin No:		Pin No:		Pin No:	
	Plating:	102	Plating:		Plating:		Plating:	
	Pin Length L	24.89/ .980	Pin Length L		Pin Length L		Pin Length L	
	Mating M	11.43/ .450	Mating M		Mating M		Mating M	
	Gold Loc G	N/A	Gold Loc G		Gold Loc G		Gold Loc G	
	Dim. Y	2.82/ .111	Dim. Y		Dim. Y		Dim. Y	
	PC Tail P	3.30/ .130	PC Tail P		PC Tail P		PC Tail P	
	Tin Loc T	OVERALL	Tin Loc T		Tin Loc T		Tin Loc T	
	Voided Ckts	2, 4	Voided Ckts		Voided CKts		Voided Ckts	
	Pack Per	PK-42492-002	Pack Per		Pack Per		Pack Per	
Ckts	Material No	Engineer Number	Material No	Engineer Number	Material No	Engineer Number	Material No	Engineer Number
2								
3								
4	42892-0119	A-42892-0119						
5	42892-0120	A-42892-0120						
6	42892-0121	A-42892-0121						
7	42892-0122	A-42892-0122						
8	42892-0123	A-42892-0123						
9	42892-0124	A-42892-0124						
10	42892-0125	A-42892-0125						
11	42892-0126	A-42892-0126						
12	42892-0127	A-42892-0127						

<b>G2</b>	REV:	<u>ECR/ECN INFORMATION</u>	<b>FRICION LOCK HDR. ASSY. .156 BENT SQ PINS W/PEGS RT. ANGLE MOUNT</b>	<u>SHEET No.</u> <b>- 5 -</b>
		EC NO: <b>UCP2008-0727</b>		
		DATE <b>10/8/2007</b>		
<u>DOCUMENT NUMBER:</u> <b>SD-42892-001</b>		<u>CREATED / REVISED BY:</u> <b>ADERR</b>	<u>CHECKED BY:</u> <b>ADERR</b>	<u>APPROVED BY:</u> <b>FSMITH</b>