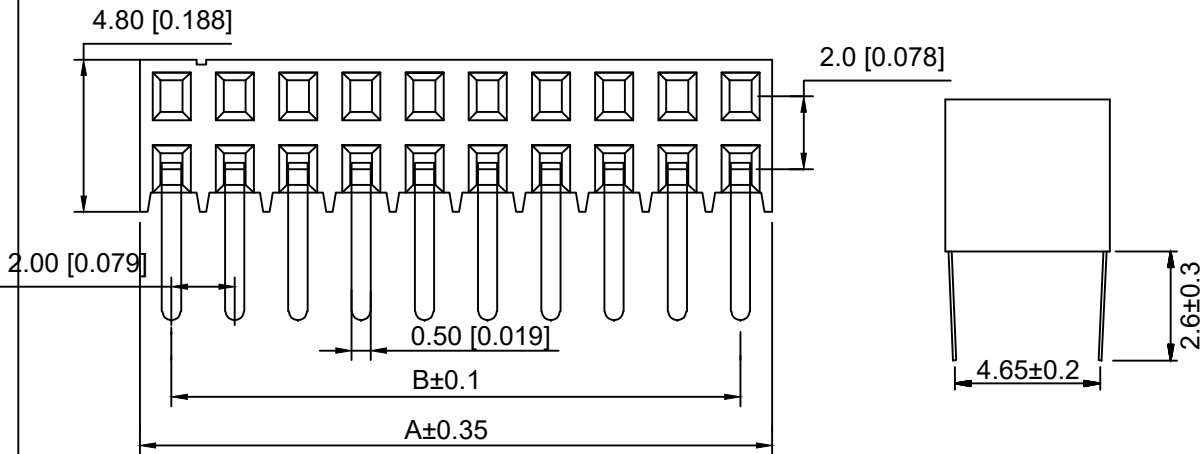
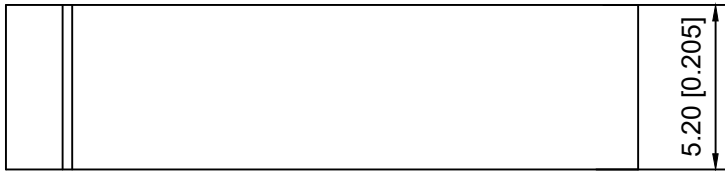


XKB Connectivity

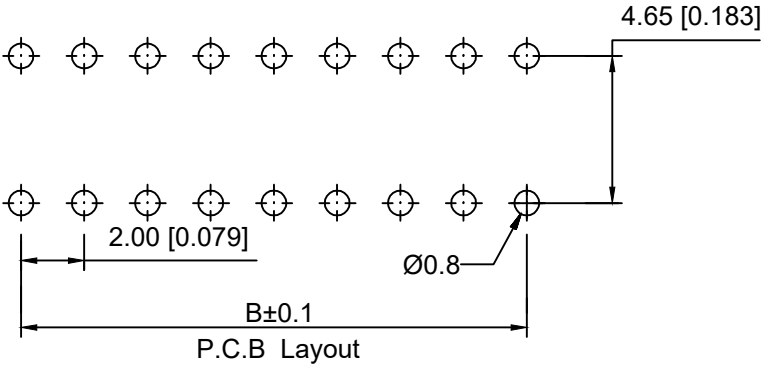
■ 规格 Specifications:

- 额定电压 Voltage rating:250VAC/DC。
- 额定电流 Current rating:1.5A AC/DC
- 耐电压 Withstanding voltage:550V AC/minute
- 温度区间 Temperature range:-40℃to+105℃
- 绝缘电阻 Insulation resistance:≥1000MΩ Min
- 接触电阻 Contact resistance:≤20MΩ Max
- 材料 Material: PA6T 94V-0
- 镀层 Planting Category: 1U"Gold
- 波峰焊温度 Wave soldering temperature:260℃ 10s



X4621 F R- 2xXX - C48 D26
 ① ② ③ ④ ⑤ ⑥

- ① Series No.
- ② Category:F-Female
- ③ Welding Board Angle:R-Stright 90°
- ④ Row No -Pin No:2xXX-2x01P-2x40P
- ⑤ Plastic height:C=4.8mm
- ⑥ Pin length:D=2.6mm



					ANGLAR	±5°	XKB	DSND	SCALE: N/A	MODEL TYPE:	
Δx					L ≤ 4	±0.2		DWN	VIEW:	PART NO.:	
Δx					4 < L ≤ 16	±0.3		CHKD	UNIT: mm/in	X-X4621FR- 2xXX-C48D26	
Δx					16 < L ≤ 63	±0.4		APPD	SIZE: A4	DWG NO.:	
MARK	DESCRIPTION	DATE	REVISED	APPROVED	L > 63	±0.5	UNSPECIFIED TOLERANCES			WEIGHT	
REVISIONS								XKB INDUSTRIAL PRECISION CO.,LIMITED			SHEET
www.helloxkb.com www.helloxkb.cn www.xk-dg.cn											1/1
											REVISION
											A0