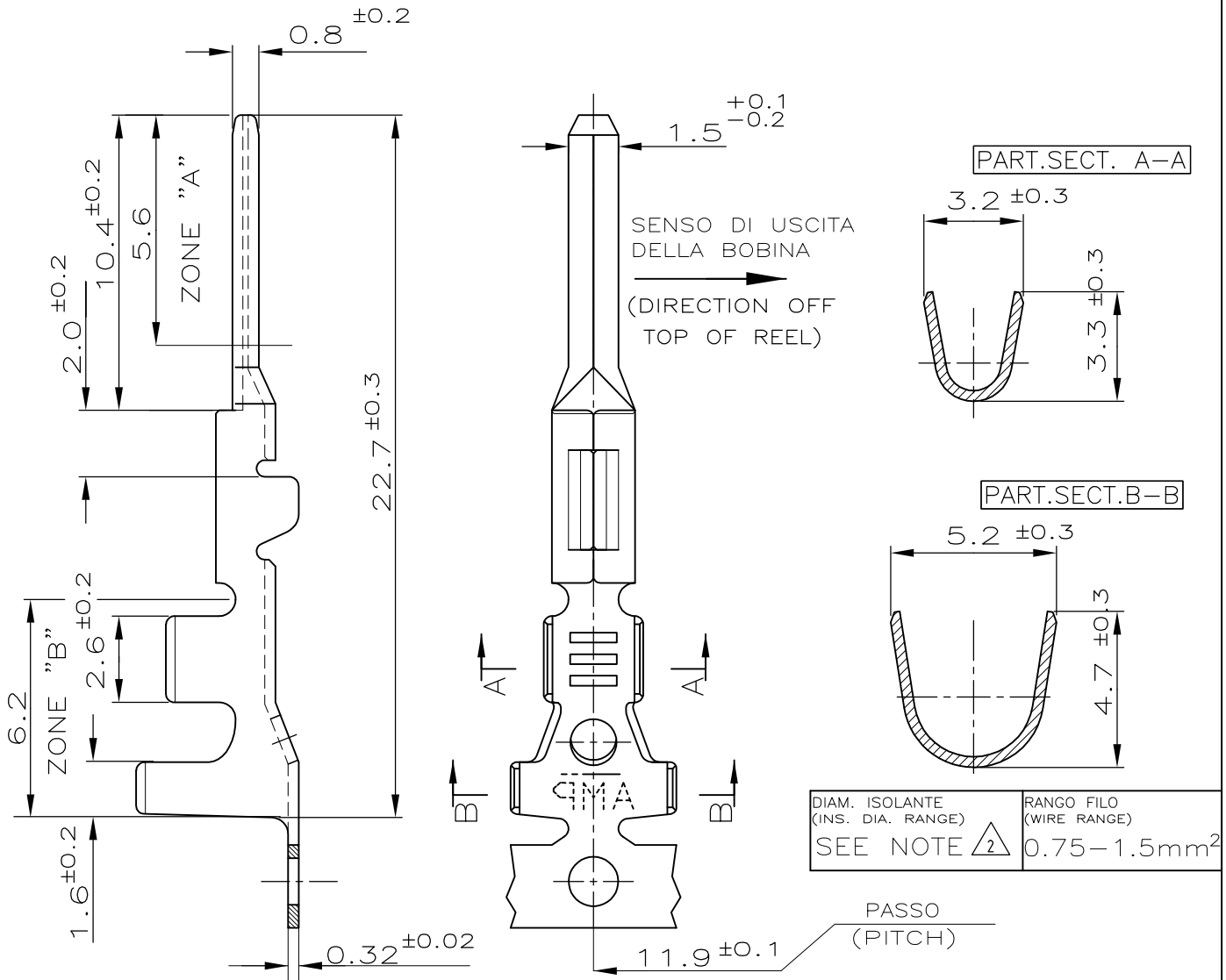


LOC		DIST		REVISIONS			
		P	LTR	DESCRIPTION	DATE	DWN	APVD
			E6	REVISED PER ECO-11-005033	2APR11	RK	HMR



2 ADATTO PER GOMMINO AMP P/N 281934-...
(SUITABLE FOR SINGLE WIRE SEAL AMP P/N 281934-...)

1 SOLO PER PRODUZIONE AMP GERMANY:
DORATURA 0.8µm NELLA "ZONA A", STAGNATURA NELLA "ZONA B" E NICHELATURA SU TUTTO IL CONTATTO.
(FOR AMP GERMANY PRODUCTION ONLY:
GOLD PLTD 0.8µm OVER "ZONE A", TIN PLTD OVER "ZONE B" AND NICKEL UNDERPLATING ALL OVER)

PRE STAGNATO (PRE-TIN)	BRONZO FOSF. (PHOSPH. BRONZE)	282109-5
DORATO (GOLD PLTD) 1	OTTONE (BRASS)	282109-3
PRE STAGNATO (PRE-TIN)	OTTONE (BRASS)	282109-1
FINITURA / COLORE (FINISH / COLOUR)	MATERIALE (MATERIAL)	NUMERO (PART NUMBER)

RELEASED FOR PUBLICATION

ALL RIGHTS RESERVED.

THIS DRAWING IS UNPUBLISHED.

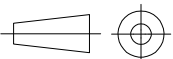
© COPYRIGHT - By -

DIMENSIONS:

mm

TOLERANCES UNLESS OTHERWISE SPECIFIED:

0 PLC	± -
1 PLC	± 0.3
2 PLC	± -
3 PLC	± -
4 PLC	± -
ANGLES	± 2'



DWN Bassano 09 NOV.90	MATERIAL -	FINISH -
CHK BERTINI 09 NOV.90	TE Connectivity	
APVD A.BRUNI 09 NOV.90		
PRODUCT SPEC -	NAME MINI MIC SRS TAB CONTACT	
APPLICATION SPEC -	SIZE A4	CAGE CODE 00779
WEIGHT -	DRAWING NO C-282109	
CUSTOMER DRAWING		RESTRICTED TO -
SCALE 5:1		SHEET 1 OF 1
		REV E6