

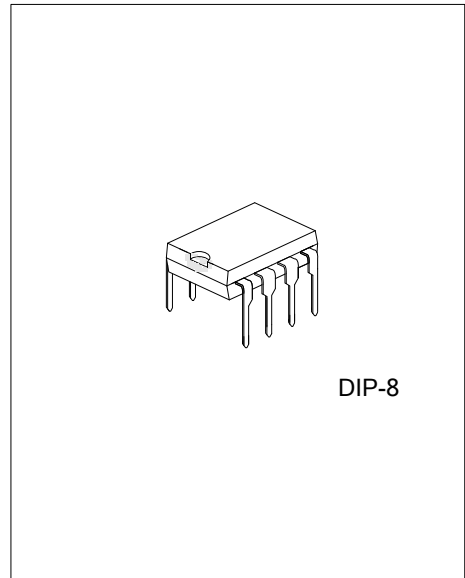


US3702

Preliminary

LINEAR INTEGRATED CIRCUIT

HIGH PERFORMANCE CURRENT MODE POWER SWITCH WITH ZERO CURRENT DETECTION



DESCRIPTION

The UTC **US3702** is an integrated PWM controller and SenseFET specifically designed for switching operation with minimal external components. The UTC **US3702** is designed to provide several special enhancements to satisfy the needs, for example, Power-Saving mode for low standby power (<0.3W), Frequency Hopping , Constant Output Power Limiting , Slope Compensation ,Over Current Protection (OCP), Over Voltage Protection (OVP), Over Load Protection (OLP), Under Voltage Lock Out (UVLO), Short Circuit Protection (SCP) , Over Temperature Protection (OTP) etc. IC will be shutdown or can auto-restart in situations.

FEATURE

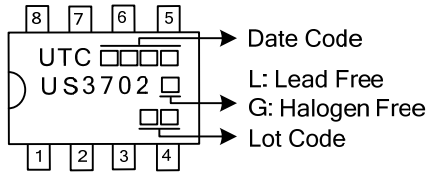
- * Internal high voltage SenseFET(700V)
- * Frequency hopping for Improved EMI performance.
- * Lower than 0.3W standby power design
- * Linearly decreasing frequency to 26KHz during light load
- * Internal soft start
- * Internal slope compensation
- * Constant power limiting for universal AC input range
- * Gate output maximum voltage clamp(15V)
- * Over temperature protection
- * Overload protection
- * Over voltage protection
- * Leading edge blanking
- * Cycle-by-cycle current limiting
- * Under voltage lock out
- * Short circuit protection

ORDERING INFORMATION

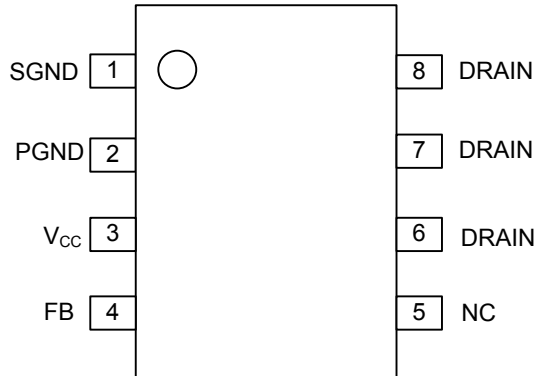
Ordering Number		Package	Packing
Lead Free	Halogen Free		
US3702L-D08-T	US3702G-D08-T	DIP-8	Tube

<p>US3702L-D08-T</p> <ul style="list-style-type: none"> (1)Packing Type (2)Package Type (3)Green Package 	<ul style="list-style-type: none"> (1) T: Tube (2) D08: DIP-8 (3) L: Lead Free, G: Halogen Free and Lead Free
---	--

■ MARKING



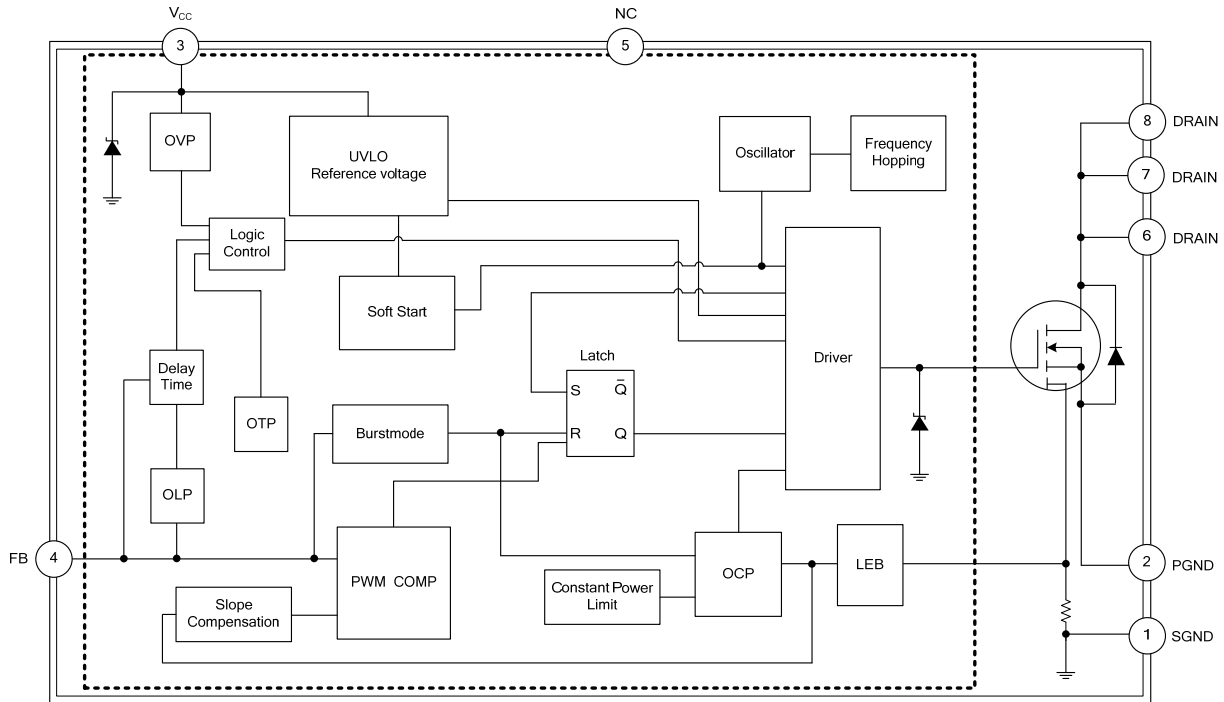
■ PIN CONFIGURATION



■ PIN DESCRIPTION

PIN NO.	PIN NAME	DESCRIPTION
1	SGND	Ground
2	PGND	MOSFET Ground
3	V _{CC}	Supply voltage
4	FB	Feedback
5	NC	
6	DRAIN	Power MOSFET drain
7	DRAIN	Power MOSFET drain
8	DRAIN	Power MOSFET drain

■ BLOCK DIAGRAM



- Notes: OLP (Over Load Protection)
- OVP (Over Voltage Protection)
- OTP (Over Temperature Protection)
- OCP (Over Current Protection)
- UVLO (Under Voltage Latch-Out)
- LEB (Led Edge Blanking)

■ ABSOLUTE MAXIMUM RATING (T_A=25°C, unless otherwise specified)

PARAMETER	SYMBOL	RATINGS	UNIT
Supply Voltage	V _{CC}	30	V
Input Voltage to FB Pin	V _{FB}	-0.3~6.5	V
Junction Temperature	T _J	+150	°C
Operating Temperature	T _{OPR}	-40~+125	°C
Storage Temperature	T _{STG}	-50~+150	°C

Note: Absolute maximum ratings are those values beyond which the device could be permanently damaged. Absolute maximum ratings are stress ratings only and functional device operation is not implied.

■ OPERATING RANGE

PARAMETER	SYMBOL	RATINGS	UNIT
Supply Voltage	V _{CC}	7~23	V

■ ELECTRICAL CHARACTERISTICS (T_A=25°C, V_{CC}=15V, unless otherwise specified)

PARAMETER	SYMBOL	TEST CONDITIONS	MIN	TYP	MAX	UNIT
SUPPLY SECTION						
Start Up Current	I _{ST}	V _{CC} = V _{THD(ON)} -1V		5	15	μA
Supply Current with switch	I _{OP}	V _{FB} =4V GATE Without C _{LOAD}		2	3	mA
UNDER-VOLTAGE LOCKOUT SECTION						
Start Threshold Voltage	V _{THD(ON)}		12	13.5	14	V
Min. Operating Voltage	V _{CC(MIN)}		7	8	9	V
CONTROL SECTION						

Feedback Source Current	I_{FB}	$V_{FB}=0$		2		mA	
V_{FB} Open Level	V_{FBMAX}			5.0		V	
Burst-Mode Out FB Voltage	$V_{FB(OUT)}$	$V_{CS}=0$		1.2		V	
Reduce-Frequency end FB Voltage	$V_{FB(END)}$	$V_{CS}=0$		2.4		V	
Burst-Mode Enter FB Voltage	$V_{FB(IN)}$	$V_{CS}=0$		1.0		V	
Switching frequency	Normal initial	$F_{(SW)}$	$V_{FB}=4V$	69	75	81	kHz
	Power-Saving		Before enter burst mode	20			kHz
Duty Cycle	D_{MAX}	$V_{FB}=4V, V_{CS}=0$		70	75	80	%
Frequency Hopping	$\Delta F_{J(SW)}$			± 3	± 4.5	± 6	%
Frequency Variation VS V_{CC} Deviation	F_{DV}	$V_{CC}=10\sim 20V$				5	%
Frequency Variation VS Temperature Deviation	F_{DT}	$T=-25\sim 105^{\circ}C$				5	%
Soft-Start Time	T_{SoftS}			2	4	6	ms
PROTECTION SECTION							
OVP threshold	V_{OVP}	$V_{FB}=4V$			23		V
OLP threshold	$V_{FB(OLP)}$	$V_{CS}=0$			4.7		V
Delay Time Of OLP	T_{D-OLP}			35	65	95	ms
OTP threshold	$T_{(THR)}$			130	145		$^{\circ}C$
CURRENT LIMITING SECTION							
Peak Current Limitation	I_{LIM}	$V_{FB}=4.4V$		1.06	1.2	1.34	A
Threshold Voltage For Valley	I_{LIM-L}	$V_{FB}=4.4V$			1.14		A

■ ELECTRICAL CHARACTERISTICS (Cont.)

PARAMETER	SYMBOL	TEST CONDITIONS	MIN	TYP	MAX	UNIT
POWER MOS-transistor SECTION						
Drain-Source Breakdown Voltage	V_{DSS}	$V_{GS}=0V, I_D=250mA$	700			V
Turn-on voltage between gate and source	V_{TH}	$V_{DS}=V_{GS}, I_D=250mA$	2		4	V
Drain-Source Diode Continuous Source Current	I_S				2	A
Static Drain-Source On-State Resistance	$R_{DS(ON)}$	$V_{GS}=10V, I_D=2.25A$			5	Ω
Rise Time	T_R	$V_{DD}=300V, I_D=4.0A$ $R_G=25\Omega$ (Note 1,2)		45	100	NS
Fall Time	T_F			35	80	NS

Notes: 1. Pulse Test: Pulse width $\leq 300\mu s$, Duty cycle $\leq 2\%$

2. Essentially independent of operating temperature

■ FUNCTIONAL DESCRIPTION

The internal reference voltages and bias circuit work at $V_{CC} > V_{THD(ON)}$, and shutdown at $V_{CC} < V_{CC(MIN)}$.

(1) Soft-Start

When every IC power on, driver output duty cycle will be decided by inter-slope voltage V_{SOFTS} and V_{CS} on current sense resistor at beginning. After the whole soft-start phase end, and driver duty cycle depend on V_{FB} and V_{CS} . The relation among V_{SOFTS} , V_{FB} and V_{OUT} as followed Fig.3. Furthermore, soft-start phase should end before V_{CC} reach $V_{CC(MIN)}$ during V_{CC} power on. Otherwise, if soft-start phase remain not end before V_{CC} reach $V_{CC(MIN)}$ during V_{CC} power on, IC will enter auto-restart phase and not set up V_{OUT} .

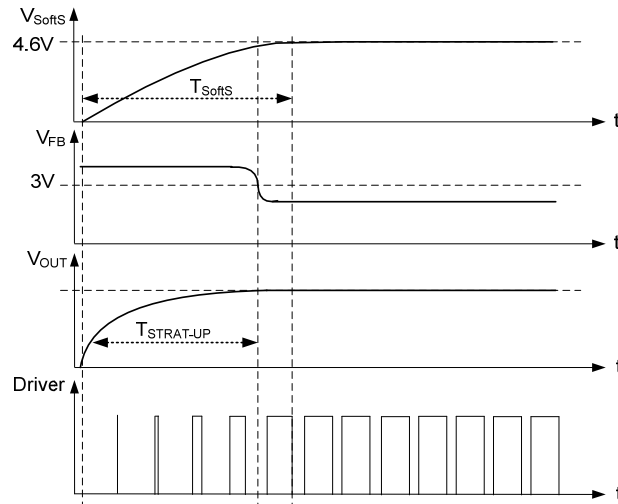


Fig.3 Soft-start phase

(2) Switching Frequency Set

The maximum switching frequency is set to 75kHz. Switching frequency is modulated by output power P_{OUT} during IC operating. At no load or light load condition, most of the power dissipation in a switching mode power supply is from switching loss on the MOSFET transistor, the core loss of the transformer and the loss on the snubber circuit. The magnitude of power loss is in proportion to the number of switching events within a fixed period of time. So lower Switching frequency at lower load, which more and more improve IC's efficiency at light load. At from no load to light load condition, The IC will operate at from Burst mode to Reducing Frequency Mode. The relation curve between f_{SW} and $P_{OUT}/P_{OUT(MAX)}$ as followed Fig.4.

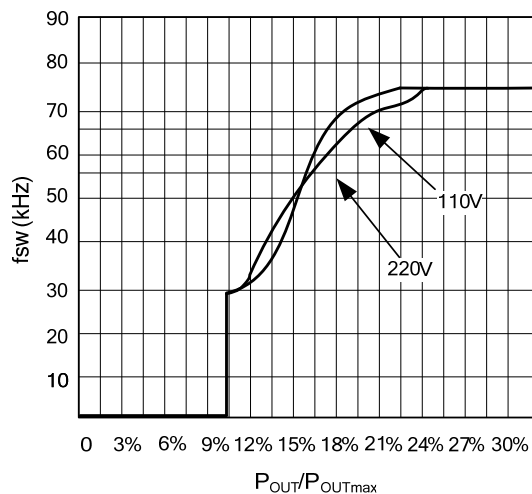


Fig. 4 The relation curve between f_{SW} and relative output power $P_{OUT}/P_{OUT(MAX)}$

■ FUNCTIONAL DESCRIPTION(Cont.)

(3) Internal Synchronized Slope Compensation

Built-in slope compensation circuit adds voltage ramp onto the current sense input voltage for PWM generation, this greatly improves the close loop stability at CCM and prevents the sub-harmonic oscillation and thus reduces the output ripple voltage.

(4) Frequency Hopping For EMI Improvement

The Frequency hopping is implemented in the IC; there are two oscillators built-in the IC. The first oscillator is to set the normal switching frequency; the switching frequency is modulated with a period signal generated by the 2nd oscillator. The relation between the first oscillator and the 2nd oscillator as followed Fig.5. So the tone energy is evenly spread out, the spread spectrum minimizes the conduction band EMI and therefore eases the system design in meeting stringent EMI requirement.

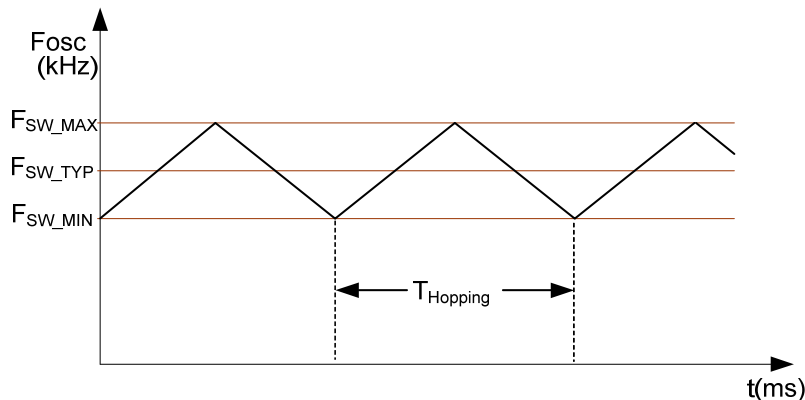


Fig. 5 Frequency Hopping

(5) Constant Output Power Limit

When the primary current, across the primary wind of transfer, reaches the limit current, around 1.2A, the output GATE drive will be turned off after a small propagation delay t_D . This propagation delay will introduce an additional current proportional to $t_D \times V_{IN} / L_p$. Since the propagation delay is nearly constant regardless of the input line voltage V_{IN} . Higher input line voltage will result in a larger additional current and hence the output power limit is also higher than that under low input line voltage. To compensate for this output power limit variation across a wide AC input range, the limit current in primary winding is adjusted by adding a positive ramp. This ramp signal rises from 1.14A to 1.2A, and then flattens out at 1.2A. A smaller limit current forces the output GATE drive to terminate earlier. This reduces the total PWM turn-on time and makes the output power equal to that of low line input. This proprietary internal compensation ensures a constant output power limit for a wide AC input voltage range (90VAC~264VAC).

(6) Protection section

The IC takes on more protection functions such as OLP, OVP and OTP etc. In case of those failure modes for continual blanking time, the driver is shut down. At the same time, IC enters auto-restart, V_{CC} power on and driver is reset after V_{CC} power on again.

OLP

After power on, IC will shutdown driver if over load state occurs for continual T_{D-OLP} . OLP case as followed Fig. 6. The test circuit as followed Fig.8

OVP

OVP will shutdown the switching of the power MOSFET whenever $V_{CC} > V_{OVP}$. The OVP case as followed Fig.7. the test circuit as followed Fig.9.

FUNCTIONAL DESCRIPTION(Cont.)

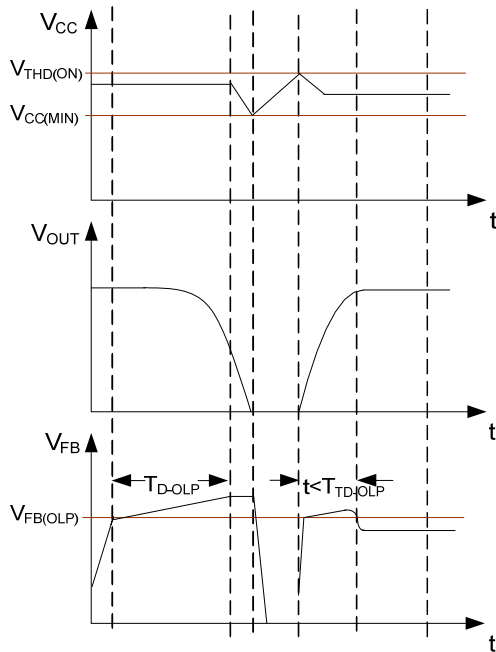


Fig.6 OLP case

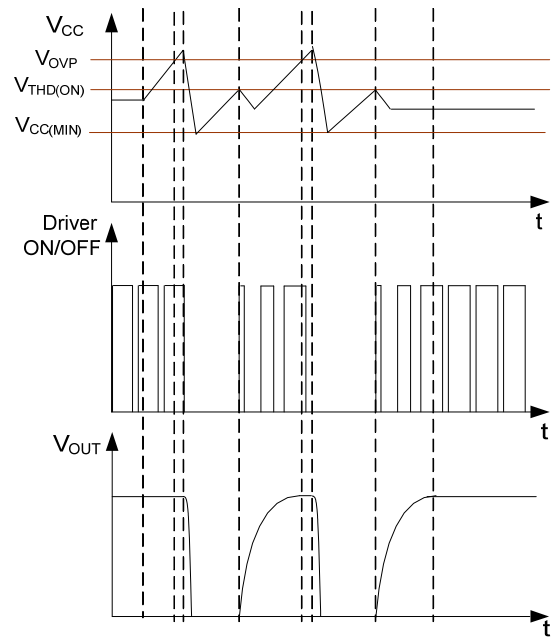


Fig.7 OVP case

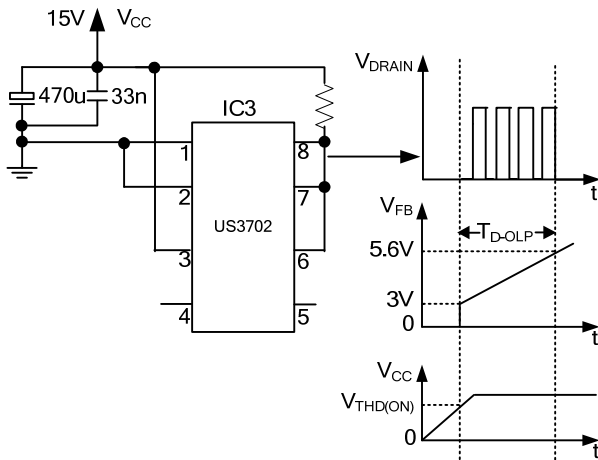


Fig.8 OLP test circuit

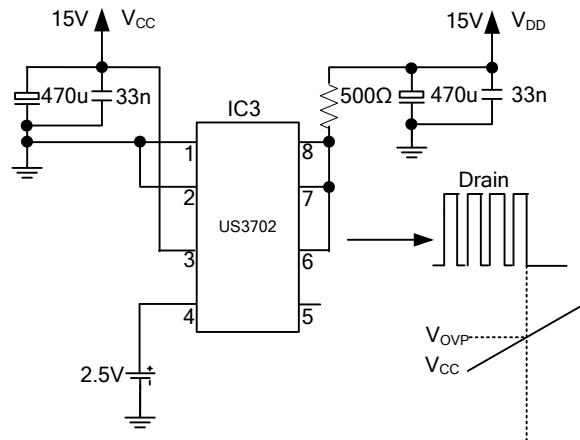


Fig.9 OVP test circuit

OTP

OTP will shut down driver when junction temperature $T_J > T_{(THR)}$ for continual a blanking time.

(7) Driver Output Section

The driver-stage drives the gate of the MOSFET and is optimized to minimize EMI and to provide high circuit efficiency. This is done by reducing the switch on slope when reaching the MOSFET threshold. This is achieved by a slope control of the rising edge at the driver's output. The output driver is clamped by an internal 15V Zener diode in order to protect power MOSFET transistors against undesirable gate over voltage.

(8) Inside power switch MOS transistor

Specific power MOS transistor parameter is as "POWER MOS TRANSISTOR SECTION" in electrical characteristics table.

■ TYPICAL APPLICATION CIRCUIT

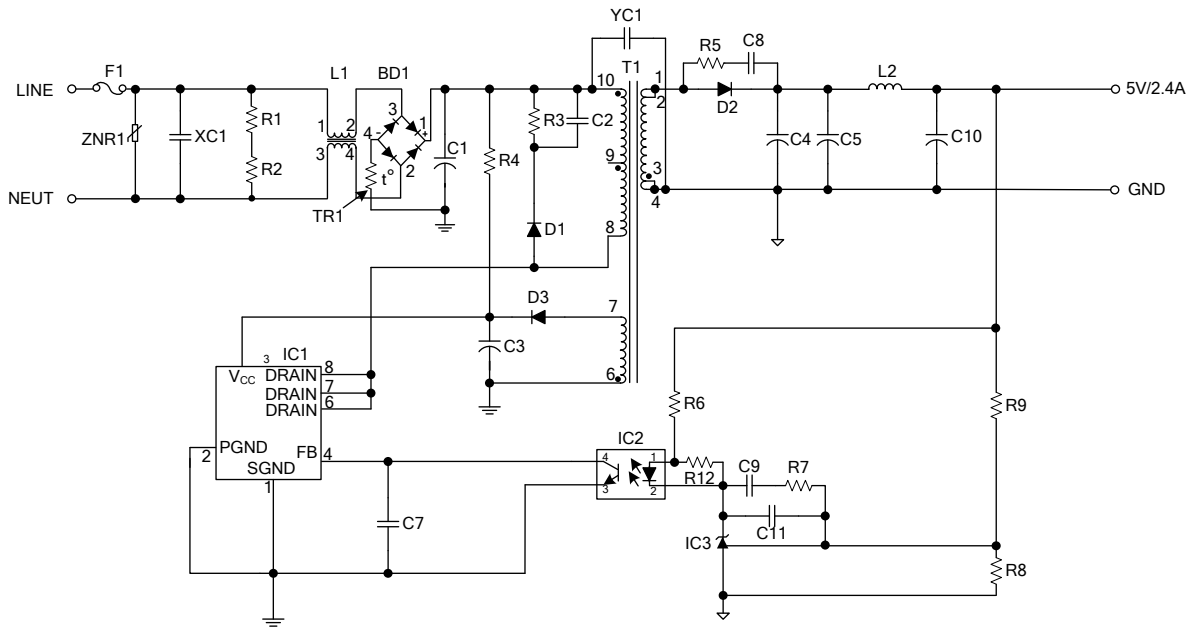


Fig.10 UTC US3702 Typical Application Circuit

Table1. Components reference description for UTC US3702 application circuit

DESIGNATOR	PART TYPE	DESIGNATOR	PART TYPE	DESIGNATOR	PART TYPE
C1	33μF	R1	2.2MΩ	D1	FR107
C2	202pF	R2	2.2MΩ	D2	SB540
C3	22μF	R3	100KΩ	D3	RS1D
C4	470μF	R4	1MΩ	IC1	US3702
C5	470μF	R5	15Ω	IC2	PC-817
C6	0.1μF	R6	820Ω	IC3	TL431
C7	102pF	R7	1KΩ	YC1	222
C8	0.001μF	R8	22KΩ	T1	EE25
C9	0.1μF	R9	22KΩ	L1	UU10.5
C10	220μF	R10	15~25MΩ	L2	2μH
C11	1μF (Optional)	R11	68KΩ	F1	2A/250V
		R12	2KΩ	ZNR1	7D471K
				TR1	SCK102R55A
				XC1	334/275V
				BD1	KBP205

UTC assumes no responsibility for equipment failures that result from using products at values that exceed, even momentarily, rated values (such as maximum ratings, operating condition ranges, or other parameters) listed in products specifications of any and all UTC products described or contained herein. UTC products are not designed for use in life support appliances, devices or systems where malfunction of these products can be reasonably expected to result in personal injury. Reproduction in whole or in part is prohibited without the prior written consent of the copyright owner. The information presented in this document does not form part of any quotation or contract, is believed to be accurate and reliable and may be changed without notice.