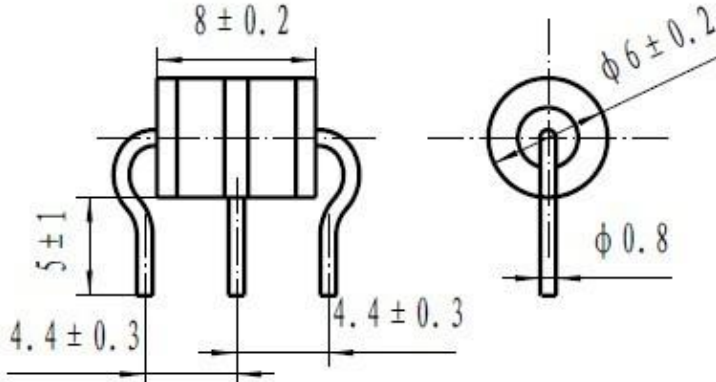


## 3-Electrode Gas Discharge Tubes

10KA



### 1: Dimension(mm)



### 2: Main Applications

- PCI Cards protection
- Telephone/Fax/Modem protection
- single line protection
- ADSL/XDSL Splitter, Power Supply
- Surge Protection Device/Surge Protector

- 100% Lead-Free (RoHS Compliant)
- Non-Radioactive
- Low capacitance ( $\leq 1\text{pF}$ )
- Fast Response-time, High Insulation Resistance.
- Small size : Ø6x8(mm)

### 4 Electrical Characteristics

Part Number	DC Spark-over Voltage @ 100V/S	Impulse Spark-over Voltage @ 100V/ $\mu\text{s}$	Impulse Spark-over Voltage @ 1KV/ $\mu\text{s}$	Insulation Resistance	Impulse discharge current (8/20 $\mu\text{s}$ )	AC discharge current (50Hz, 1s, 10times)	Capacitance (1MHz)
	V	V	V	G $\Omega$	10 Times	A	PF
<b>H3R6-75</b>	75±20%	<500	<600	>1	10KA	10	$\leq 1$
<b>H3R6-90</b>	90±20%	<500	<600	>1	10KA	10	$\leq 1$
<b>H3R6-150</b>	150±20%	<500	<600	>1	10KA	10	$\leq 1$
<b>H3R6-230</b>	230±20%	<600	<700	>1	10KA	10	$\leq 1$
<b>H3R6-250</b>	250±20%	<600	<700	>1	10KA	10	$\leq 1$
<b>H3R6-350</b>	350±20%	<900	$\leq 1000$	>1	10KA	10	$\leq 1$
<b>H3R6-400</b>	400±20%	<900	$\leq 1000$	>1	10KA	10	$\leq 1$
<b>H3R6-420</b>	420±20%	<900	$\leq 1000$	>1	10KA	10	$\leq 1$
<b>H3R6-470</b>	470±20%	<1100	$\leq 1200$	>1	10KA	10	$\leq 1$
<b>H3R6-600</b>	600±20%	<1200	$\leq 1300$	>1	10KA	10	$\leq 1$

Packing Quantity : 100PCS

Specifications are subject to change without notice

sales@huaandz.com