

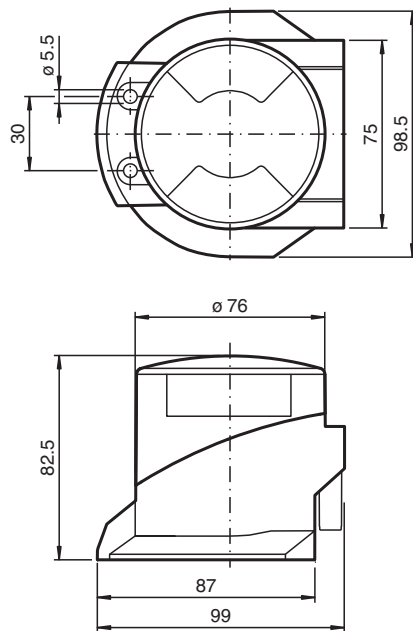


Protective cover SH-BT65-F31K2

- Protection against contamination and damage
- Captive screws for easy mounting

Protective cap for mechanical protection and for use in applications in conditions where moisture is present.

Dimensions



Technical Data

Mechanical specifications

Material	rugged polycarbonate (PC) for outdoor use
----------	---