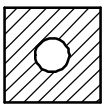
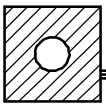
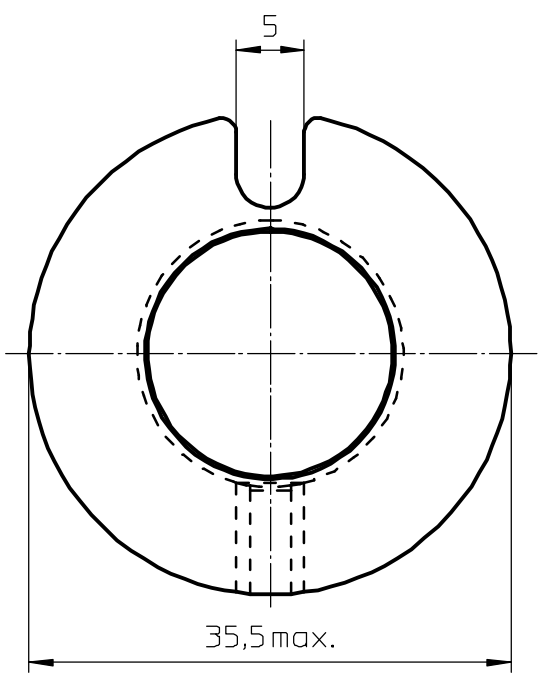
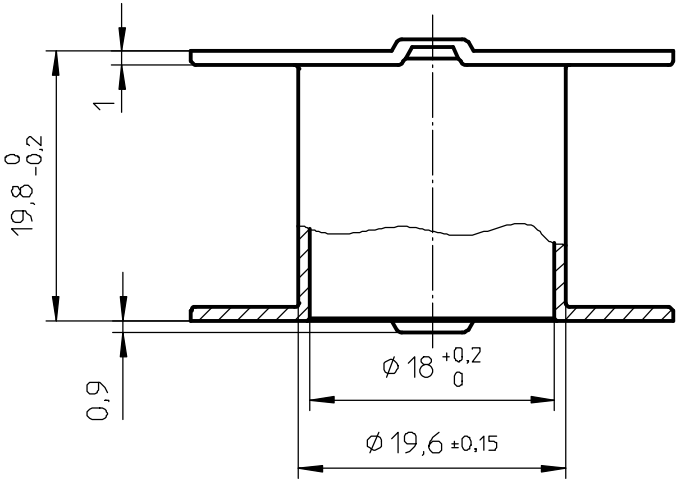


FERROXCUBE



1 2 3 4



Coil former material: Zytel FR50 (PA6.6).
 UL filenumber: E41938 - UL94V-0.
 Max. operating temp.: 130°C.
 Winding area: 140 mm².
 Mean length of turn: 86 mm.

CLASS NO.	CP-P42/29-1S-C		4322 021 04471		03-04-29
					03-07-09
					04-03-12
NAME NAAM	M.Veekens	SUPERS. VERV.	1	SH BL	112 - 001 010
MPA	CHECK CONTR.	DAT.	03-04-29	Property of Eigendom van	© FERROXCUBE 2000
					A4