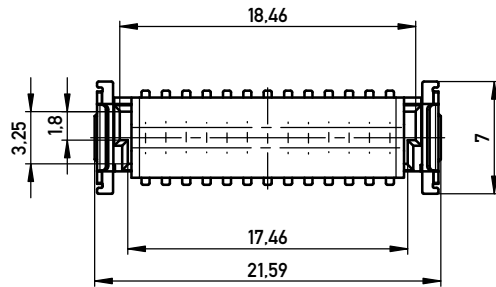
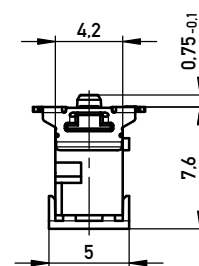
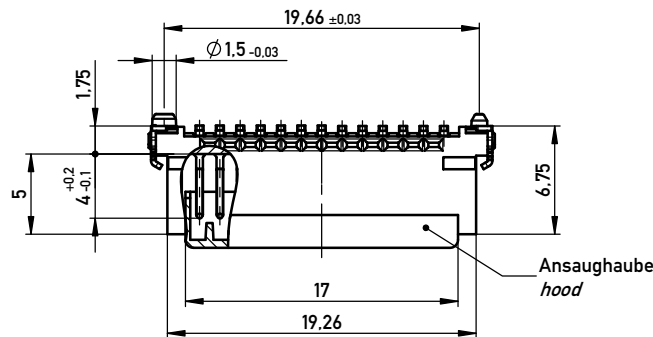
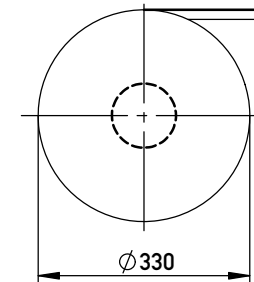
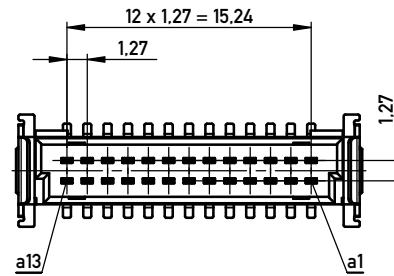


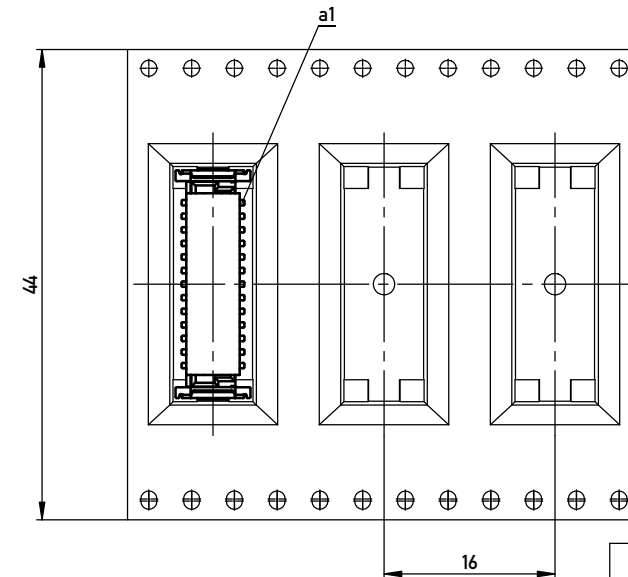
Verpackt im Gurt nach DIN IEC 60286-3
 Tape on Reel Packaging according to DIN IEC 60286-3
 Verpackungseinheit: 280 Stück
 Packaging unit: 280 pcs



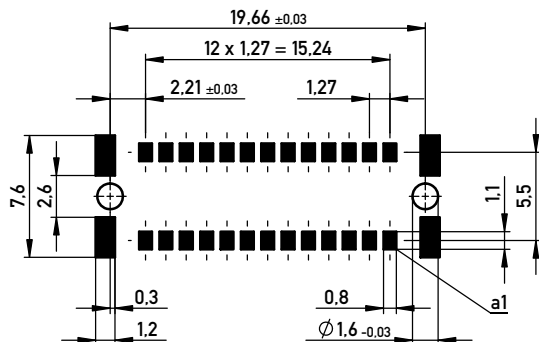
ohne Ansaughaube - without hood



Abspulrichtung - Reel off Direction



Leiterplatten-Layout Vorschlag für SMT
 PCB-Layout Proposal for SMT



Anforderungsstufe 1
 Performance Level 1

Kontaktbereich vergoldet
 Mating Area gold plating

Anschlussbereich verzinkt 4-6 µm
 Terminal Area 4-6 µm tin plating

Koplanarität der Anschlüsse ≤ 0,1 mm
 Coplanarity Area of Termination ≤ 0,1 mm

BA 8-13 - 8mm Bauhöhe
 type 8-13 - Low Profile

Information:	Tolerances	 All Dimensions in mm	Scale	3:1
	All rights reserved. Only for Information. To ensure that this is the latest version of this drawing, please contact one of the ERNI companies before using.		Designation Messrl. SMC-Q 26-SMD-BA8-13 Male SMC-Q 26-SMD-type 8-13	
Subject to modification without prior notice. Drawing will not be updated.		www.ERNI.com		244837
e	30.06.2015	Class		SMCQ
Index	Date			A3

Copyright by ERNI GmbH. Proprietary notice pursuant to ISO 9006 to be observed.